

Parts Manual

Generator Set

QSJ2.4 Engine with PowerCommand[®] 1.1 Control

C20 N6 (Spec A)

C22 N6 (Spec A)

C25 N6 (Spec A)

C30 N6 (Spec A)

C36 N6 (Spec A)

C40 N6 (Spec A)

C30 N6H (Spec A)

C36 N6H (Spec A)

C40 N6H (Spec A)

C45 N6H (Spec A)

C50 N6H (Spec A)

C60 N6H (Spec A)

Table of Contents

Description	Page
Safety Precautions	3
About This Manual	4
Quick Serve Online (QSOL)	5
Related Literature	5
Model Identification	6
Abbreviations	7
Labels	8
Consumables	12
Paint and Thread Sealant	12
Engine	14
Engine Accessories	16
Engine Service Parts	83
CCV Breather	87
Vent	90
Engine Pressure Switch	91
Silencer	95
Exhaust Connection	98
Fuel Supply	102
Low Pressure Switch	131
Air Cleaner	132
Cooling System	136
Coolant Heater – Cold Ambient (C30 N6, C36 N6, C40 N6, C60 N6H) – USA	156
Coolant Heater – Cold Ambient (C20 N6, C22 N6, C25 N6, C30 N6H) – USA	160
Coolant Heater – Extreme Cold Ambient (C30 N6, C36 N6, C40 N6, C60 N6H) – USA	164
Coolant Heater – Extreme Cold Ambient (C20 N6, C22 N6, C25 N6, C30 N6H, C36 N6H, C40 N6H, C45 N6H, C50 N6H) – USA	168
Coolant Heater – Extreme Cold Ambient (C30 N6, C36 N6, C40 N6, C60 N6H) – Canada	172
Coolant Heater – Extreme Cold Ambient (C20 N6, C22 N6, C25 N6, C30 N6H, C36 N6H, C40 N6H, C45 N6H, C50 N6H) – Canada	176

Table of Contents (continued)

Description	Page
Generator – Complete	180
Generator Fasteners	183
Generator Service Parts (CA115)	184
Generator Service Parts (CA125)	186
Generator Service Parts (CA135)	188
Generator Heater	190
Terminal Box	196
Skid	199
Skid Pan	203
Battery Charger	205
Battery Tray – Standard	206
Battery Tray – Large	207
Enclosure	208
Control Box	235
Circuit Breaker	242
Current Transformer	250
Accessories and Kits	252
Muffler	252
Battery	254
Battery Heater	255
Stand Alone Battery Charger	257
Generator Heater Kit	262
Preventive Maintenance Kits	265
Breather Kit (C30 N6, C36 N6, C40 N6)	266
Breather Kit (C20 N6, C22 N6, C25 N6, C30 N6H)	267
Breather Kit (C60 M6H)	268

Safety Precautions

The following symbols are used in Cummins manuals to alert users to the potentially dangerous conditions relating to maintenance of equipment and replacement of parts. Please read and observe.



This symbol warns of immediate hazards which will result in severe personal injury or death.



This symbol refers to a hazard or unsafe practice which can result in severe personal injury or death.



This symbol refers to a hazard or unsafe practice which can result in severe personal injury or product or property damage.

Product Safety Precautions

Before operating the generator set, read the manuals and become familiar with them and the equipment. Safe and efficient operation can be achieved only if the equipment is properly operated and maintained. Many accidents are caused by failure to follow fundamental rules and precautions.



Note:

It is in the Operator's interest to read and understand all Health and Safety information together with all Warnings and Cautions contained within the documentation relevant to the generator set, its operation and daily maintenance.



Improper operation and maintenance can lead to severe personal injury or loss of life and property by fire, electrocution, mechanical breakdown or exhaust gas asphyxiation. Read and follow all safety precautions in the health and safety manual 0908–0110.



Service and repair of Cummins equipment must be performed by trained, experienced personnel only. Improper service, repair or replacement of parts may result in damage to equipment & property, severe personal injury or death. Do not use this catalog as a guide to servicing your equipment. Read and follow the IMPORTANT SAFETY INSTRUCTIONS in the Service Manual appropriate for the equipment you are working on.



Contact with USED ENGINE OILS has been identified by a United States federal agency and some USA state agencies as causing CANCER or REPRODUCTIVE TOXICITY. When checking or changing engine oils take all necessary precautions not to ingest, breathe the fumes or contact the used oil.



Contact with ASBESTOS has been identified by a United States federal agency and some USA state agencies as causing CANCER or REPRODUCTIVE TOXICITY. When handling engine gaskets take all necessary precautions not to ingest, breathe or contact the dust from the gaskets! Use adequate ventilation and wear protective gloves, masks and clothing!



Contact with BENZINE and LEAD, found in gasoline, fuel additives and solvents has been identified by a United States federal agency and some USA state agencies as causing CANCER or REPRODUCTIVE TOXICITY. When checking, draining or adding gasoline and fuel additives or using solvents take all necessary precautions not to ingest, breathe the fumes or contact the liquids. Use adequate ventilation and wear protective gloves, masks and protective clothing!

About This Manual

This manual applies to the generator models C20 N6 – C60 N6H. Parts illustrations are arranged in groups relating to their position and function on the generator set. Each part illustrated is identified by a reference number corresponding to the list of part numbers in the accompanying table.

Engine and alternator parts that have been modified or added by Cummins are identified in this manual. Contact your nearest authorized distributor for assistance in ordering replacement parts. All other replacement parts must be ordered from the engine/alternator manufacturer by referring to the item nameplate and supplying all available information.

Cummins Generator Model	Engine Model
C20 N6	QSJ2.4
C22 N6	QSJ2.4
C25 N6	QSJ2.4
C30 N6	QSJ2.4
C36 N6	QSJ2.4
C40 N6	QSJ2.4
C30 N6H	QSJ2.4
C36 N6H	QSJ2.4
C40 N6H	QSJ2.4
C45 N6H	QSJ2.4
C50 N6H	QSJ2.4
C60 N6H	QSJ2.4

Generator Set Data Table

Model	Electrical Data				Battery Voltage
	Watts	Hertz	Wire	Phase	
C20 N6	20,000	60	3, 4	1, 3	12VDC
C22 N6	22,000	60	3, 4	1, 3	12VDC
C25 N6	25,000	60	3, 4	1, 3	12VDC
C30 N6	30,000	60	3, 4	1, 3	12VDC
C36 N6	36,000	60	3, 4	1, 3	12VDC
C40 N6	40,000	60	3, 4	1, 3	12VDC
C30 N6H	30,000	60	3, 4	1, 3	12VDC
C36 N6H	36,000	60	3, 4	1, 3	12VDC
C40 N6H	40,000	60	3, 4	1, 3	12VDC
C50 N6H	50,000	60	3, 4	1, 3	12VDC
C60 N6H	60,000	60	3, 4	1, 3	12VDC

Quick Serve Online (QSOL)

Documentation and operator manuals pertaining to the generator set are available on QuickServe Online.

QuickServe Online: <https://quickserve.cummins.com/info/index.html>

The information contained within this manual is based on information available at the time of going to print. In line with Cummins policy of continuous development and improvement, information may change at any time without notice. Make sure that the documentation is the latest information available. Contact your authorized distributor for assistance.

Related Literature

The related literature that is appropriate to your generator set includes:

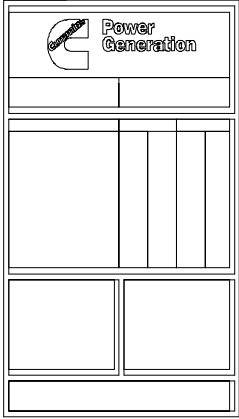
- Installation Manual (A045R241)
- Operator Manual (A045R242)
- Service Manual (A045R243)
- Standard Repair Times (SRT) Manual (A046Z094)
- Service Tool Manual (A043D529)

If further information is required, contact your authorized distributor.

Model Identification

This manual covers generator set models produced under the Cummins brand name.

To avoid errors or delay in filling your parts order, always state the MODEL and SERIAL NUMBER from the Cummins nameplate.



The engine serial number is located on a data tag on the engine or is stamped on the engine block.

The control software number is located on the electronic control module (ECM) or can be obtained via the digital interface if one is available.

For reference document your generator set information in the spaces below.

Generator Set Model Number: _____

Generator Set Serial Number: _____

Engine Serial Number: _____

Digital Control Software: _____

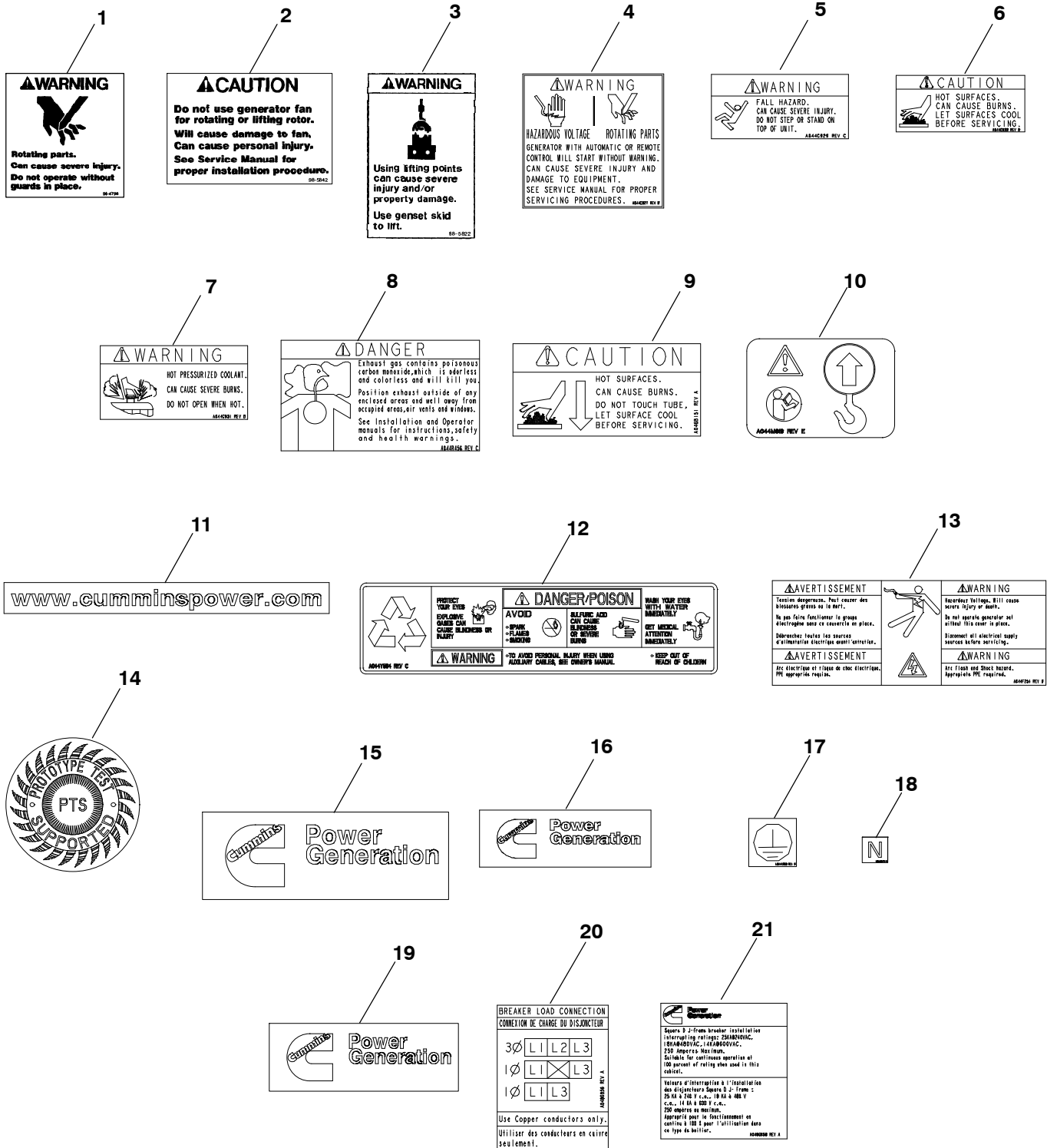
Abbreviations

Some of the following abbreviations may be used throughout this Parts Manual:

AC	Alternating Current	LED	Light-Emitting Diode
ACB	Air Circuit Breaker	LTP	Limited Time Power Rating
ACH	Anti-Condensations Heaters	LTA	Low Temperature Aftercooling
ATS	Automatic Transfer Switch	LV	Low Voltage
Amp	Ampere	M	Meter
A/R	As Required	MCB	Miniature Circuit Breaker
AVR	Automatic Voltage Regulator	MCCB	Moulded Case Circuit Breaker
AWG	American Wire Gauge	MF	Mains Failed
BHP	Brake Horsepower	MFSS	Master First Start Sensor
BMS	Building Measurement System	mm	Millimeter
BST	Busbar Sensing Transformer	MOH	Mobile Off Highway
CAN	Controlled Area Network	MR	Mains Returned
CB	Circuit Breaker	MST	Mains Sensing Transformer
CCA	Cold Cranking Amps	MSU	Mains Sensing Unit
CHP	Combined Heat and Power	MV	Medium Voltage
COP	Continuous Power Rating	NEC	Neutral Earthing Contact
CT	Current Transformer	NFS	Not For Sale
		NPT	National Pipe Thread
dB(A)	Unit of noise level	OD	Outside Diameter
DC	Direct Current	oz.	Ounce
Deg	Degree	PC	PowerCommand
DIP	Dual In-line Package	PC	Printed Circuit
DMC	Digital Master Control	PF	Power Factor
DMSU	Demand Load Standby Unit	Ph	Phase
ECM	Engine Control Module	PFC	Power Factor Controller
EFC	Electronic Fuel Control	PLC	Programmable Logic Controller
EIT	External/Internal Tooth	PMG	Permanent Magnet Generator
EMCU	Engine Monitoring and Control Unit	PPR	Prime Power Rating
EMF	Electromotive Force	PSU	Power Supply Unit
EPROM	Erasable Programmable Read Only Memory	PT/CT	Potential Transformer/Current Transformer
EPU	Engine Protection Unit	PTC	Power Transfer Control
ET	External Tooth	QCC	Quadrature Current Control
FAE	Full Authority Engine	RFI	Radio Frequency Interference
FSS	First Start Sensor	RMS	Root Mean Square
GCP	Generator Control Panel	RPM	Revolutions Per Minute
GFI	Ground Fault Interrupter	RT	Right
GKWT	Global Kilowatt Transducer	RTD	Resistance Temperature Detector
HMI	Human/Machine Interface	Spec	Specification
HV	High Voltage	Thk	Thick
IC	Integrated Circuit	UL	Underwriters Laboratories Inc.
ID	Inside Diameter	UNC	Union National Coarse
IEC	International Electrotechnical Commission	UNF	Union National Fine
I/O	Input / Output	V	Volts
IT	Internal Tooth	VAC	Volts, Alternating Current
kVA	Apparent Power	VCB	Vacuum Circuit Breaker
kVAR	Reactive Power	VDC	Volts, Direct Current
kW	Active / Real Power (Kilowatt)	VF	Volt-free
kWh	Unit of electrical energy or work	VT	Voltage Transformer
LPG	Liquid Petroleum Gas	W/(ET, IT, EIT)	With
LT	Left		

Labels

Illustration #1



Labels (Illustration #1)

Item	Part No.	Description	Qty
1	0098-4798-01	Label, Warning (USA only)	2
2	0098-5842	Label, Caution (USA only)	1
3	0098-5822	Label, Warning (USA only)	1
4	A044C927	Label, Warning (USA only)	2
5	A044C929	Label, Warning (USA only)	2
6	A044C933	Label, Caution (USA only)	2
7	A044C931	Label, Warning (USA only)	1
8	A044R456	Label, Danger (USA only)	1
9	A046B151	Label, Caution (USA only)	1
10	A044M619	Label, Information	4
11	A043M499	Label, Marking	2
12	A044Y564	Label, Warning	1
13	A044F254	Label, Warning	1
14	A044M633	Label, Information	1
15	A044C288	Label, Logo (Black Lettering)	2
16	A044C989	Label (White Lettering)	1
17	A044F269	Label, Ground	1
18	A044H599	Label, Neutral	1
19	A045J574	Label, Logo (White)	1
20	A048G956	Label, Phase	1
21	A048G958	Label, Marking	1
22	0878-0032	Laminate, Label Cover (Not Shown)	1
23	0878-0034-02	Laminate, Label Cover (Not Shown)	1
24	A047K152	Laminate, Label Cover (Not Shown)	1

Labels (Illustration #2)

Item	Part No.	Description	Qty
1	A048G961	Label, Marking – 5 Fuses	1
2	A048G965	Label, Warning	1
3	A048G968	Tag, Neutral	1
4	A048H029	Label, Marking – 4 Fuses	1
5	A048H031	Label, Warning	1
6	A048H035	Label, Caution	1
7	A048H191	Label, Information	1
8	A048G927	Label, Warning (Canada only)	2
9	A048G929	Label, Warning (Canada only)	1
10	A048G925	Label, Caution (Canada only)	1
11	A048G937	Tag, Water Fill (Canada only)	1
12	A048G933	Tag, Oil Fill (Canada only)	1
13	A048G935	Tag, Attention (Canada only)	1
14	A048G943	Tag, Natural Gas Fuel (Canada only)	1
15	A048G912	Label, Warning (Canada only)	2
16	A048G915	Label, Warning (Canada only)	2
17	A048G919	Label, Warning (Canada only)	1
18	A048G917	Label, Caution (Canada only)	2
19	A048G923	Label, Danger (Canada only)	1
20	A048G931	Tag, Battery (Canada only)	1
21	A048G949	Label, Caution (Canada only)	1
22	A048G921	Label, Battery Warning (Canada only)	1
23	A048Y038	Tag, Caution (Canada only)	1
24	A044H605	Label, Marking	1

Consumables

The following is a list of consumables associated with the generator models covered in this manual:

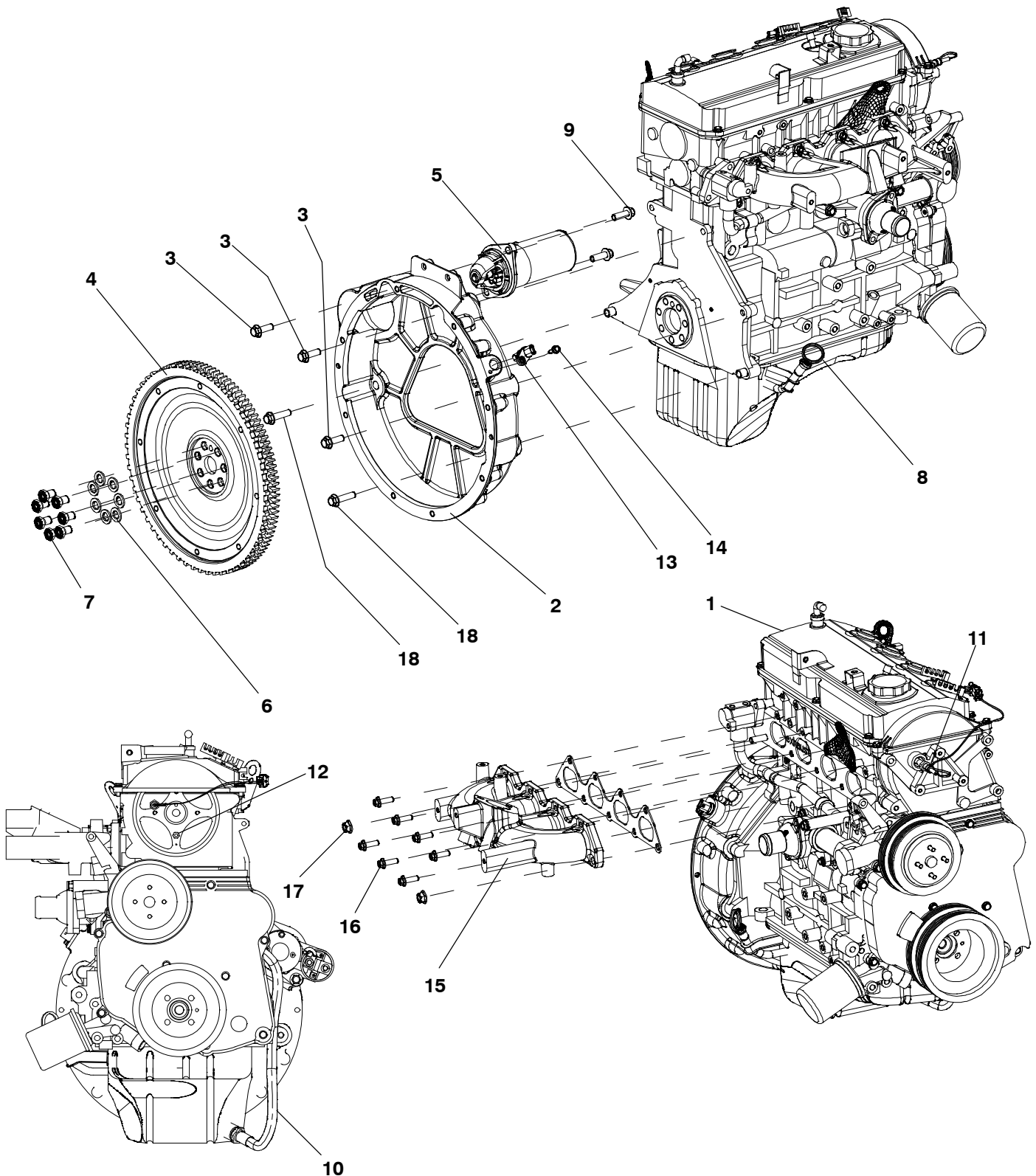
Ref. Page No.	Part No.	Description	Qty
132	A044V681	Filter, Replacement (HD) – C36 N6, C40 N6	1
133	A044V681	Filter, Replacement (HD) – C30 N6	1
134	A042Y176	Filter, Air (ND) – C20 N6, C22 N6, C25 N6, C30 N6, C30 N6H	1
135	A042Y252	Filter, Air (ND) – C36 N6, C40 N6, C36 N6H, C40 N6H, C45 N6H, C50 N6H, C60 N6H	1
83	A044H696	Belt, Timing 'B'	1
83	A044H716	Belt, Timing	1
83	A044H806	Plug, Spark	4
83	A044J056	Filter, Oil	1
	A046M449	Oil, Lubricating	1.12 Gal- lon

Paint and Thread Sealant

Item	Part No.	Description	Qty
1	0525-0305	Onan Green Enamel (Non-Metallic) 12 oz. Pressurized Spray Can	n/a
2	A043J735	Paint, Sandstone (1/2 oz. Bottle)	n/a

This page is Intentionally blank.

Engine

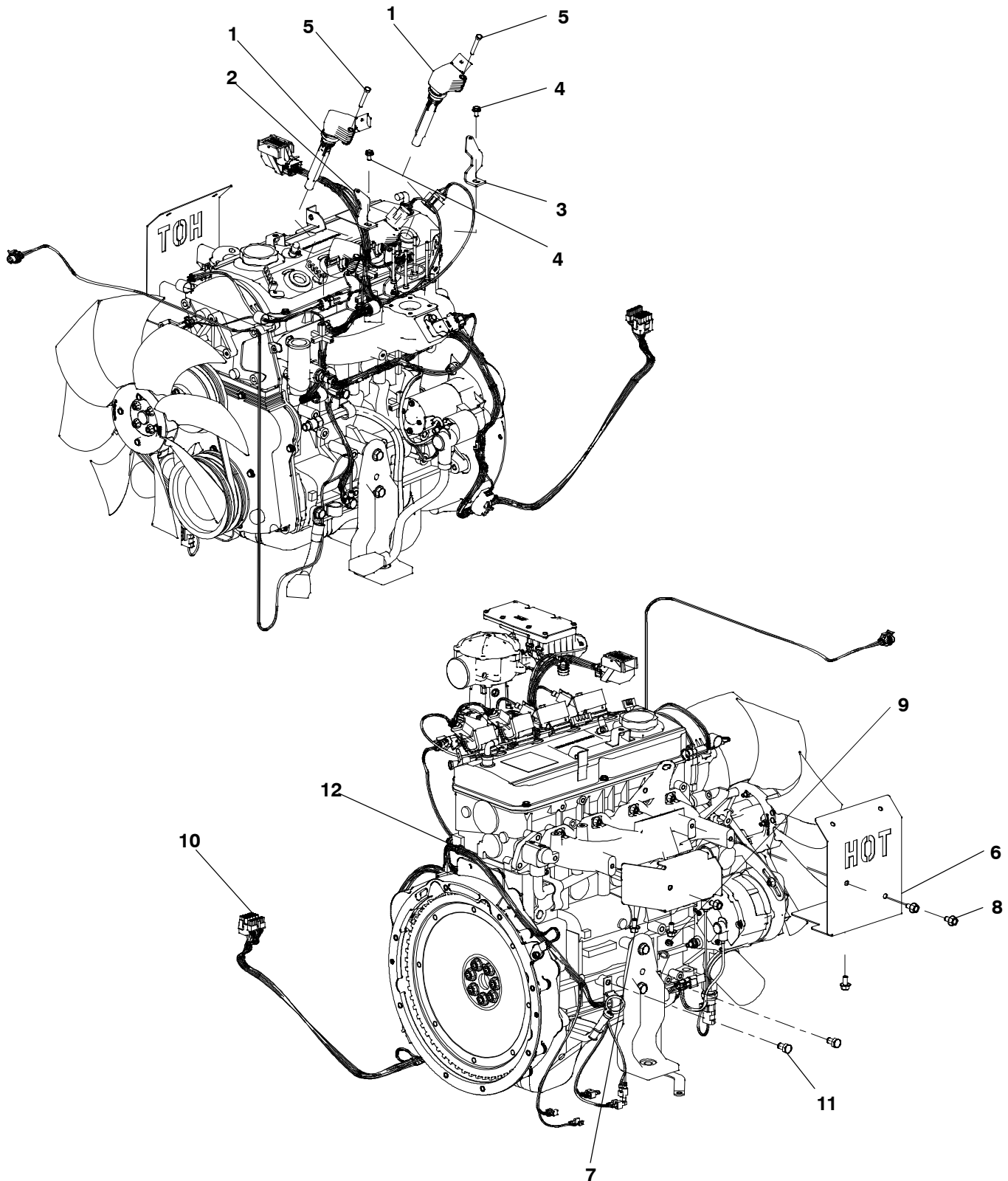


Engine

Item	Part No.	Description	Qty
1	A035G156	Engine, Spark Ignited (See Page 83 for Service Parts)	1
2	A040T839	Housing, Flywheel	1
3	A041D092	Screw, Hex Flange Head	3
4	A042T734	Flywheel	1
5	A040J391	Starter	1
6	0740-1010	Washer, Flat	7
7	A043X954	Screw, Hex Head	7
8	A040V234	Dipstick	1
9	0815-0859-03	Screw, Hex Flange Head	2
10	A041G757	Hose, Oil	1
11	A044J187	Sensor, Magnetic Pickup	1
12	A045W735	Pin	1
13	A044B226	Sensor, Speed	1
14	0815-0941-03	Screw, Hollow Head	1
15	A042R043	Manifold, Exhaust	1
16	A029H218	Screw, Hex Flange Head	7
17	A041P045	Nut, Hex Flange	2
18	A046V747	Screw, Hex Flange Head	2

Engine Accessories

C20 N6, C22 N6, C25 N6 (Illustration #1)



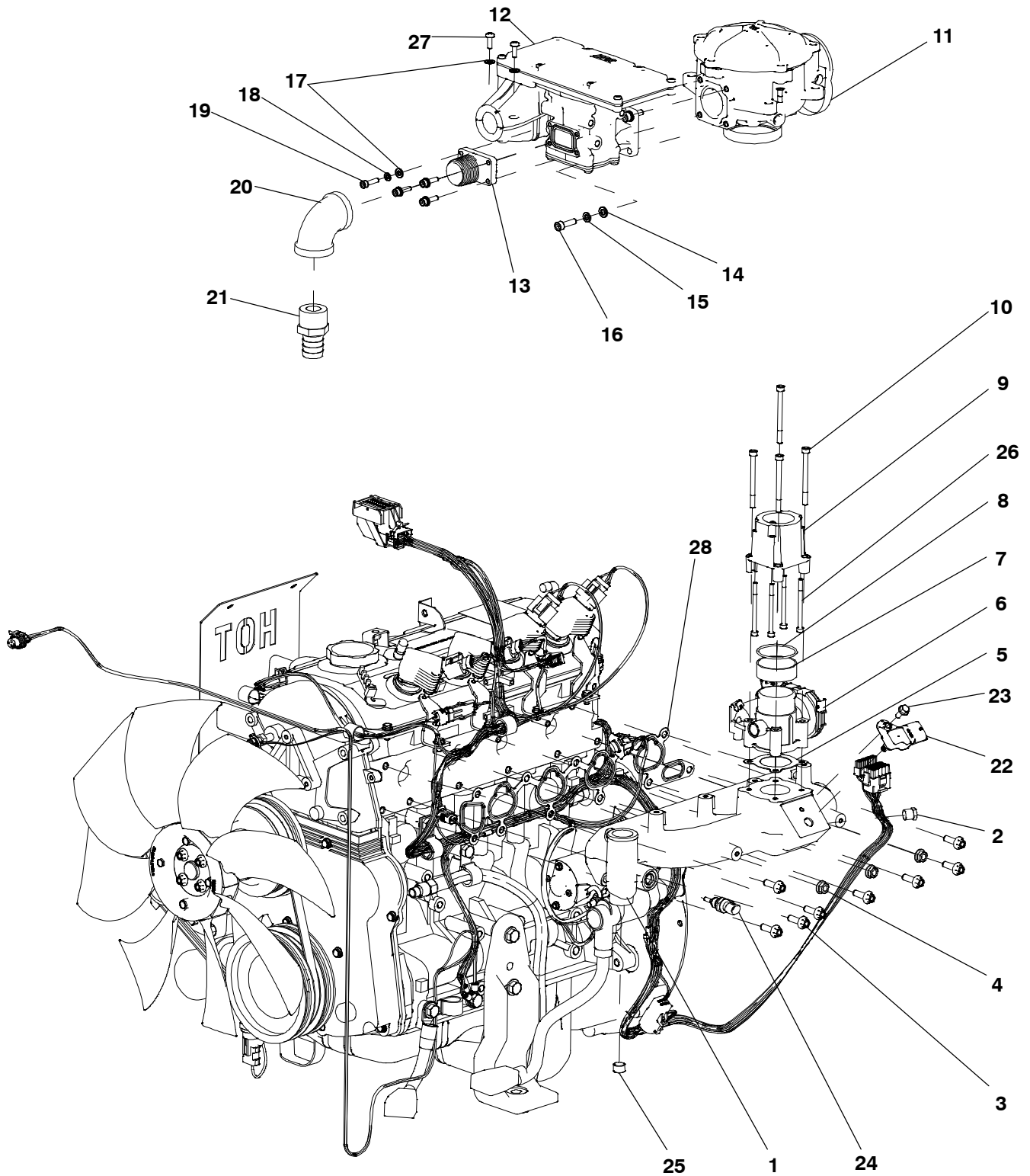
Engine Accessories

C20 N6, C22 N6, C25 N6 (Illustration #1)

Item	Part No.	Description	Qty
1	A044V727	Coil, Ignition	4
2	A044Z748	Bracket, Engine	2
3	A045F506	Bracket, Engine	2
4	0821-2032	Screw, Hex Flange Head	4
5	0800-2038	Screw, Hex Head	4
6	A042S947	Shield, Heat	1
7	A043Y505	Shield, Heat	1
8	0800-6524-01	Screw, Hex Flange Head	6
9	A048A702	Plug, Expansion	1
10	A042Y601	Harness, Generator Electrical	1
11	0815-0586	Screw, Hex Head	5
12	0332-1794	Tie, Cable	2

Engine Accessories

C20 N6, C22 N6, C25 N6 (Illustration #2)

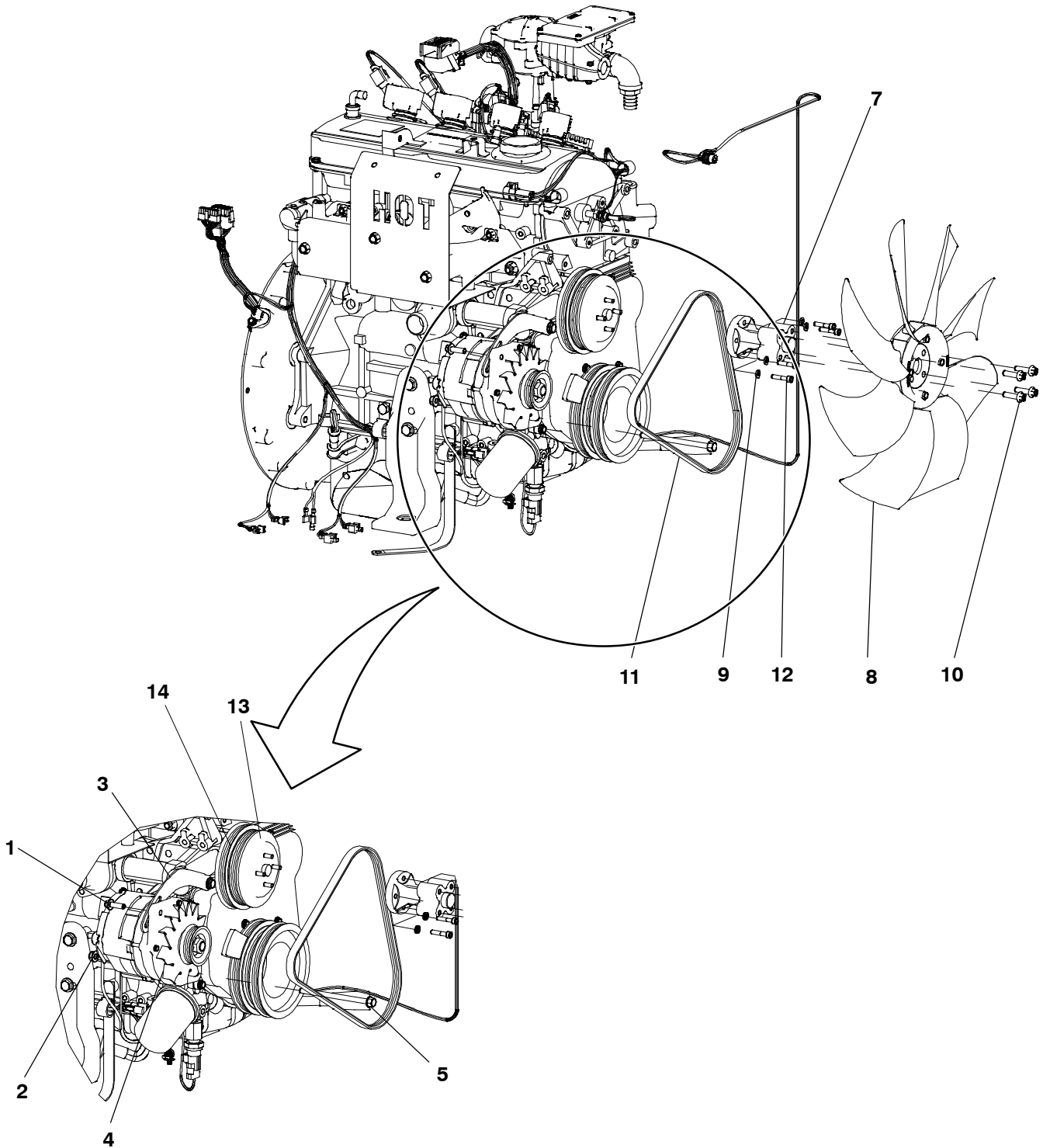


Engine Accessories
C20 N6, C22 N6, C25 N6 (Illustration #2)

Item	Part No.	Description	Qty
1	A042V490	Manifold, Intake	1
2	0502-0153	Plug, Hex Pipe	1
3	A029H218	Screw, Hex Flange Head	9
4	0870-2065-03	Nut, Hex Flange	4
5	A041E161	Gasket	1
6	A041E163	Body, Throttle	1
7	A043J723	Spacer	1
8	A043J731	Seal, O Ring	1
9	A045U530	Adapter	1
10	A045W861	Screw, Socket Head	4
11	A041D811	Mixer	1
12	A062E033	Regulator, Pressure (Includes ECM)	1
13	A043J544	Adapter	1
14	0526-0399-56	Washer, Flat	4
15	0850-0114-52	Washer, Lock	4
16	A043W091	Screw, Socket Head	4
17	0526-0399-54	Washer, Flat	6
18	0850-0114-51	Washer, Lock	4
19	A043W090	Screw, Socket Head	4
20	0505-0132	Elbow, Pipe	1
21	0502-0836	Fitting, Hose	1
22	A044B224	Sensor, Pressure	1
23	0800-6375-01	Screw, Hex Flange Head	1
24	A041J068	Sensor, Temperature	1
25	A047M766	Plug, Pipe	1
26	A046M850	Screw, Socket Head	4
27	0815-0792-04	Screw, Pan Head	2
28	A043D271	Gasket, Inlet Manifold	1

Engine Accessories

C20 N6, C22 N6, C25 N6 (Illustration #3)



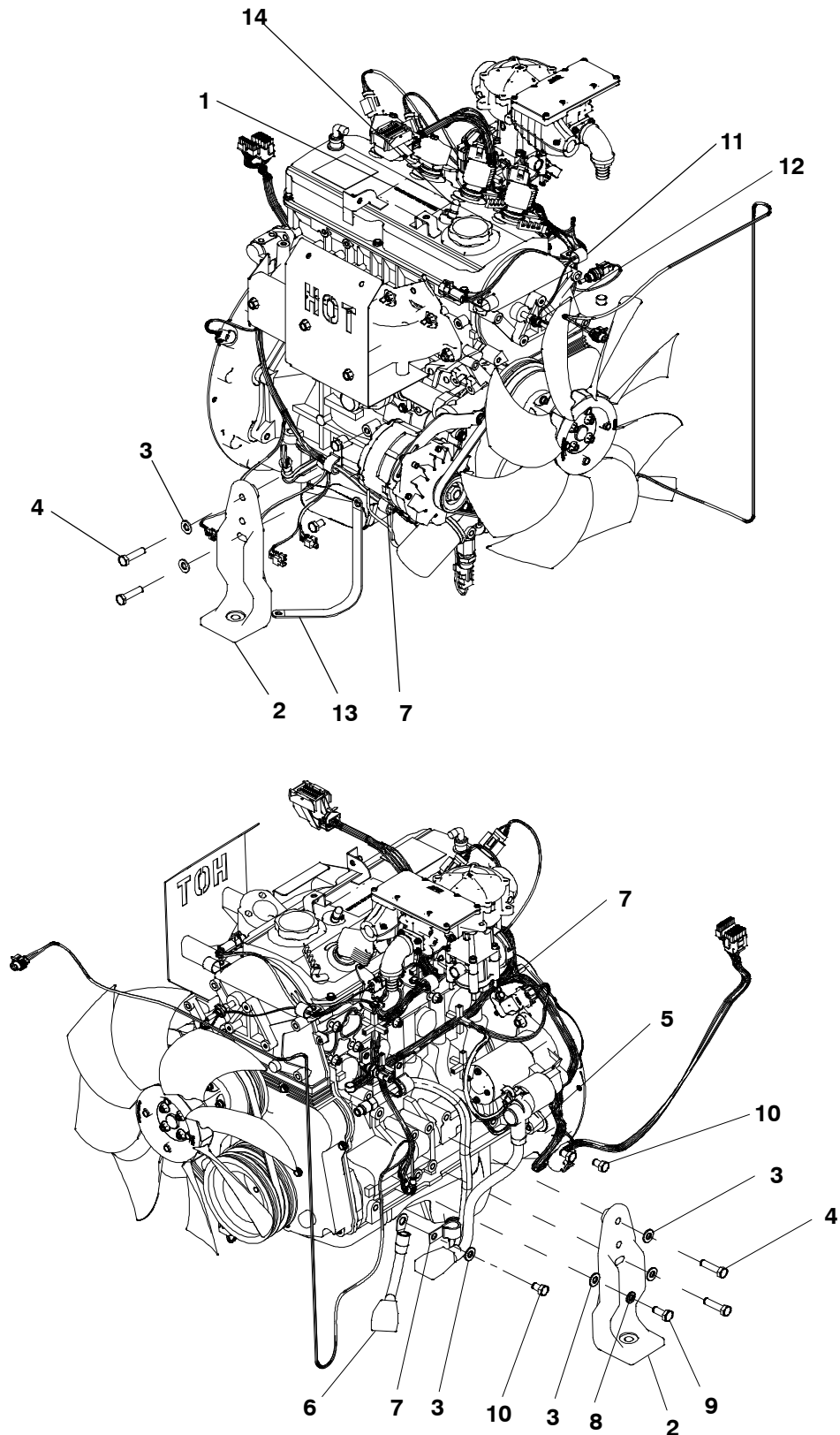
Engine Accessories

C20 N6, C22 N6, C25 N6 (Illustration #3)

Item	Part No.	Description	Qty
1	A029H218	Screw, Hex Flange Head	9
2	0870-2065-03	Nut, Hex Flange	4
3	A040M489	Bracket, Alternator Adjust	1
4	A040M101	Alternator, Battery Charge	1
5	A041D103	Screw, Hex Flange Head	1
6	A041J068	Sensor, Temperature	1
7	A043Y383	Spacer, Fan	1
8	A043X199	Fan, Radiator	1
9	0526-0399-58	Washer, Flat	4
10	A029S742	Screw, Hex Flange Head	4
11	A040J410	Belt, Alternator	1
12	A043W095	Screw, Socket Head	4
13	A044J114	Pulley (Fan side)	1
14	A044J111	Pulley (Engine side)	1

Engine Accessories

C20 N6, C22 N6, C25 N6 (Illustration #4)

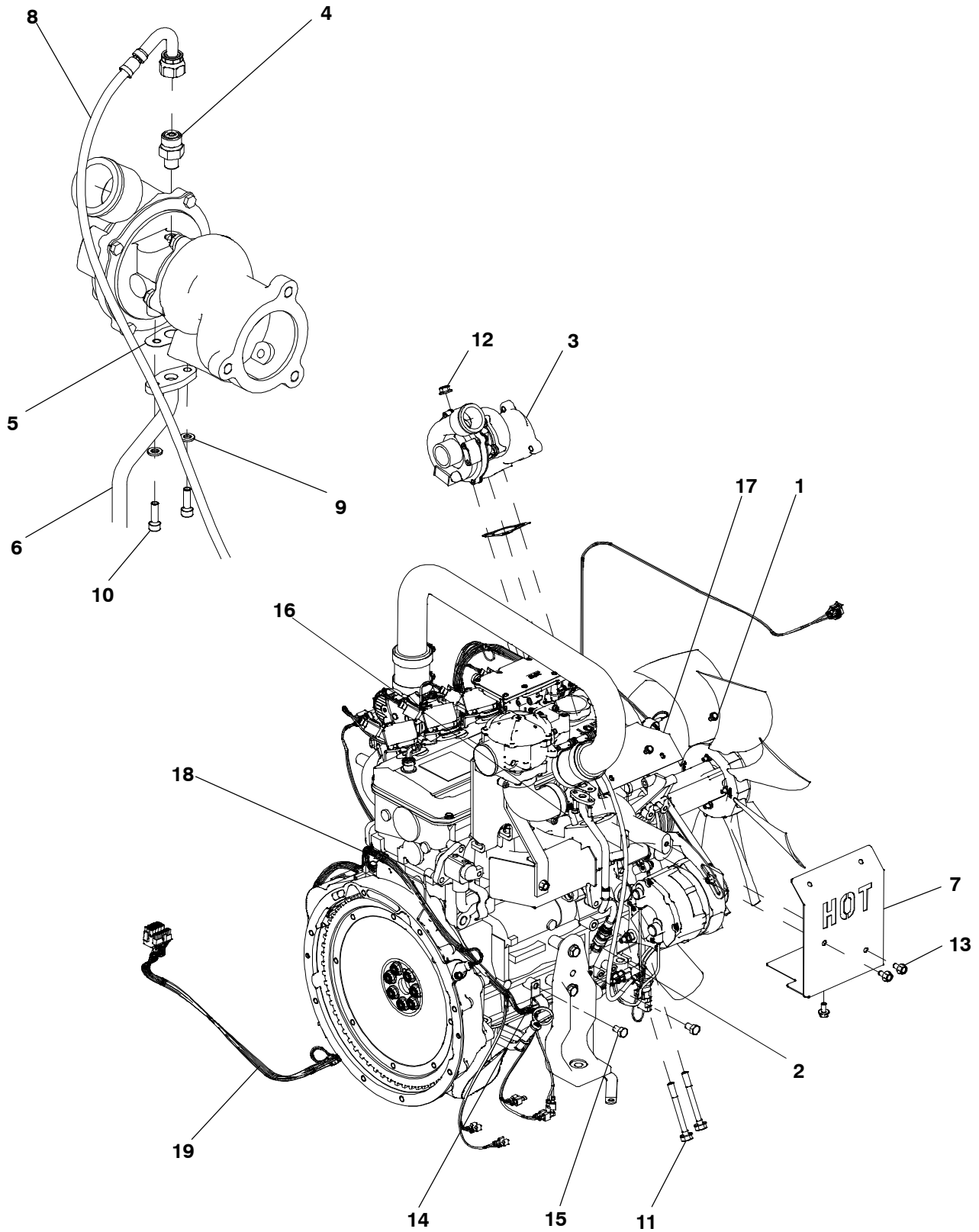


Engine Accessories

C20 N6, C22 N6, C25 N6 (Illustration #4)

Item	Part No.	Description	Qty
1	0503-0685	Clamp	3
2	A042S971	Support, Engine	2
3	0526-2132	Washer, Flat	6
4	0800-3006	Screw, Hex Head	4
5	A043V133	Lead, Battery (Includes A043U979 Terminal Cover)	1
6	A043V162	Lead, Battery (Includes A043U981 Terminal Cover)	1
7	0332-2634	Clamp, J	6
8	0850-2010	Washer, Lock	1
9	0815-0600	Screw, Hex Head	1
10	0815-0586	Screw, Hex Head	5
11	0518-0548-22	Clamp	2
12	0332-1794	Tie, Cable	2
13	A042R110	Strap, Electrical	1
14	A041E777	Plug, Cap	1

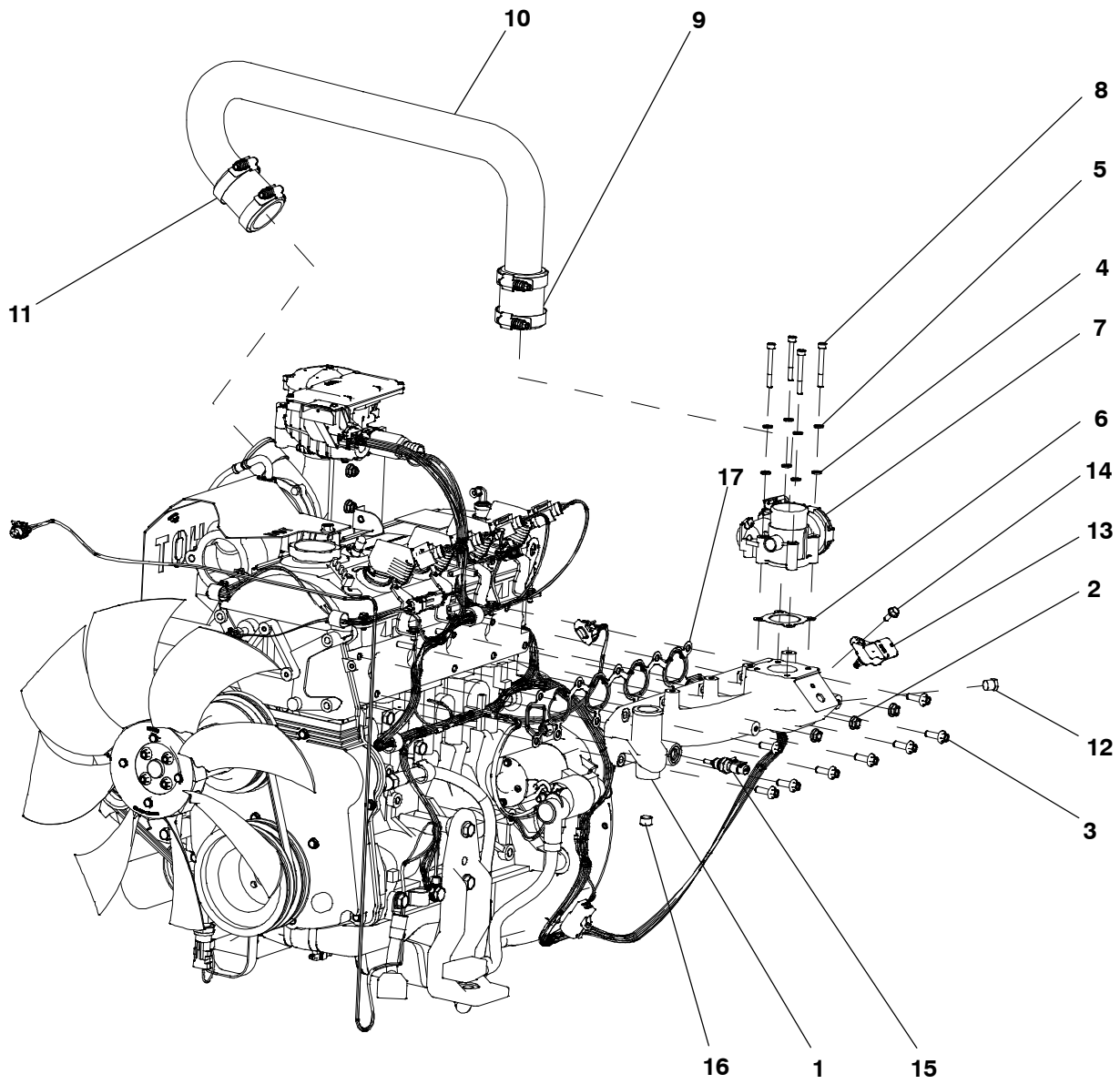
Engine Accessories C30 N6 (Illustration #1)



Engine Accessories
C30 N6 (Illustration #1)

Item	Part No.	Description	Qty
1	0821-2032	Screw, Hex Flange Head	6
2	A048A860	Fitting, Connector	1
3	A043X277	Turbocharger	1
4	A041M126	Adapter, Hose	1
5	A045E099	Gasket	1
6	A042R703	Tube, Oil	1
7	A042S947	Shield, Heat	1
8	A042T054	Hose, Flexible	1
9	0526-2080	Washer, Flat	2
10	0725-1028	Screw, Socket Head	2
11	A043A816	Screw, Hex Flange Head	2
12	0870-2065-04	Nut, Hex	1
13	0800-6524-01	Screw, Hex Flange Head	7
14	0332-2634	Clamp, J	6
15	0815-0586	Screw, Hex Head	5
16	A043B616	Stud, Threaded	1
17	A049T314	Shield, Heat	1
18	0332-1794	Tie, Cable	2
19	A042Y601	Harness, Generator Electrical	1

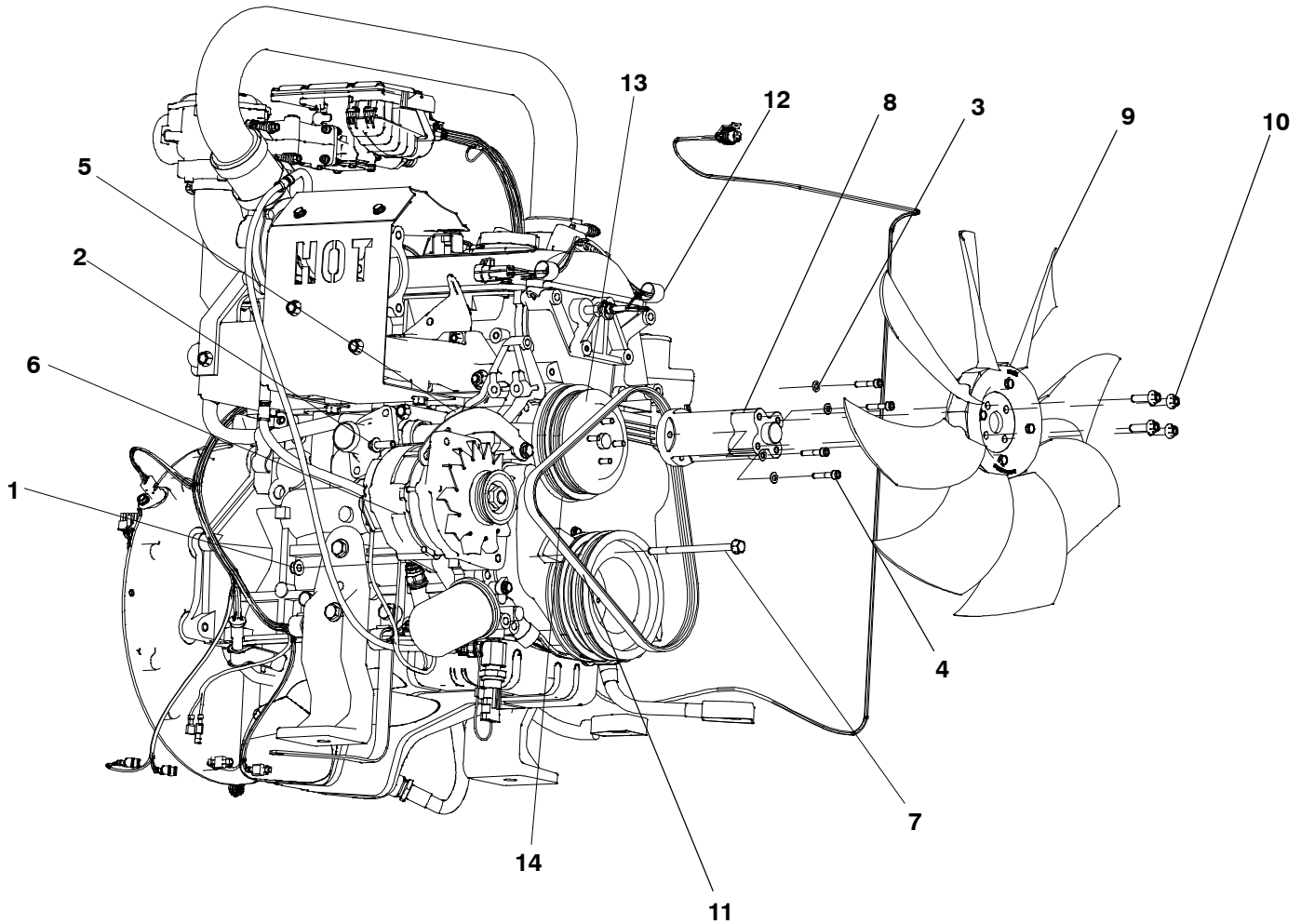
Engine Accessories C30 N6 (Illustration #2)



Engine Accessories
C30 N6 (Illustration #2)

Item	Part No.	Description	Qty
1	A042V490	Manifold, Intake	1
2	0870-2065-03	Nut, Hex Flange	6
3	A029H218	Screw, Hex Flange Head	9
4	0526-0399-58	Washer, Flat	12
5	0850-0114-53	Washer, Lock	8
6	A041E161	Gasket	1
7	A041E163	Body, Throttle	1
8	A043W097	Screw, Socket Head	4
9	A041E329	Hose, Air	2
10	A043X263	Tube, Air Inlet	1
11	0503-1872-03	Clamp, Hose	4
12	0502-0153	Plug, Hex Pipe	1
13	A044B224	Sensor, Pressure	1
14	0800-6375-01	Screw, Hex Flange Head	1
15	A041J068	Sensor, Temperature	1
16	A047M766	Plug, Pipe	1
17	A043D271	Gasket, Inlet Manifold	1

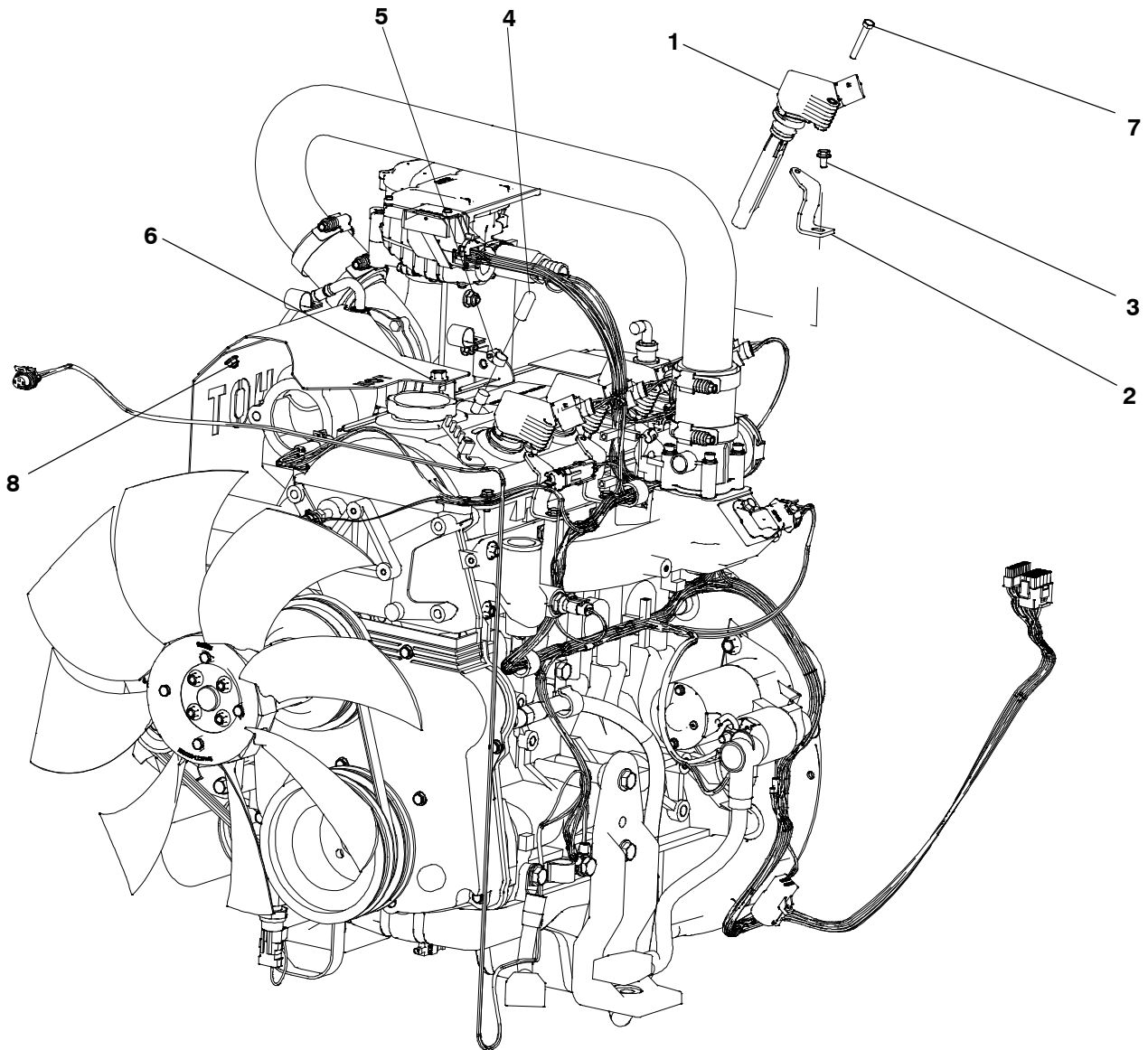
Engine Accessories
C30 N6 (Illustration #3)



Item	Part No.	Description	Qty
1	0870-2065-03	Nut, Hex Flange	6
2	A029H218	Screw, Hex Flange Head	9
3	0526-0399-58	Washer, Flat	12
4	A043W095	Screw, Socket Head	8
5	A040M489	Bracket, Alternator Adjust	1
6	A040M101	Alternator, Battery Charge	1
7	A041D103	Screw, Hex Flange Head	1
8	A043Y379	Spacer, Fan	1
9	A043X197	Fan, Radiator	1
10	A029S742	Screw, Hex Flange Head	4
11	A040J410	Belt, Alternator	1
12	0518-0548-22	Clamp	2
13	A044J114	Pulley (Fan Side)	1
14	A044J111	Pulley (Engine Side)	1

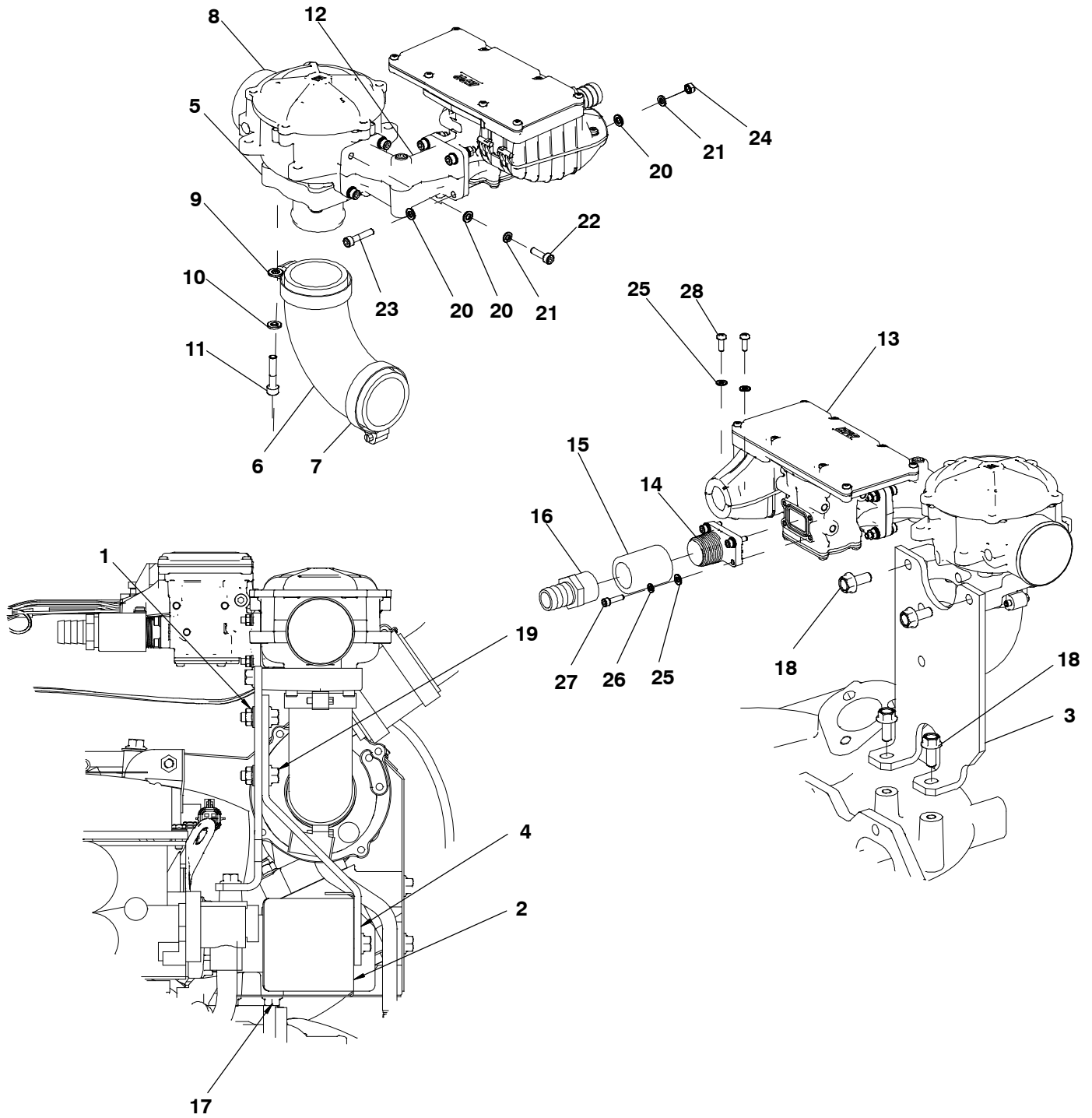
Engine Accessories

C30 N6 (Illustration #4)



Item	Part No.	Description	Qty
1	A044V727	Coil, Ignition	4
2	A044Z748	Bracket, Engine	4
3	0821-2032	Screw, Hex Flange Head	6
4	A041E777	Plug, Cap	1
5	0503-0685	Clamp	2
6	0800-6524-01	Screw, Hex Flange Head	7
7	0800-2038	Screw, Hex Head	4
8	0870-2065-02	Nut, Hex Flange	2

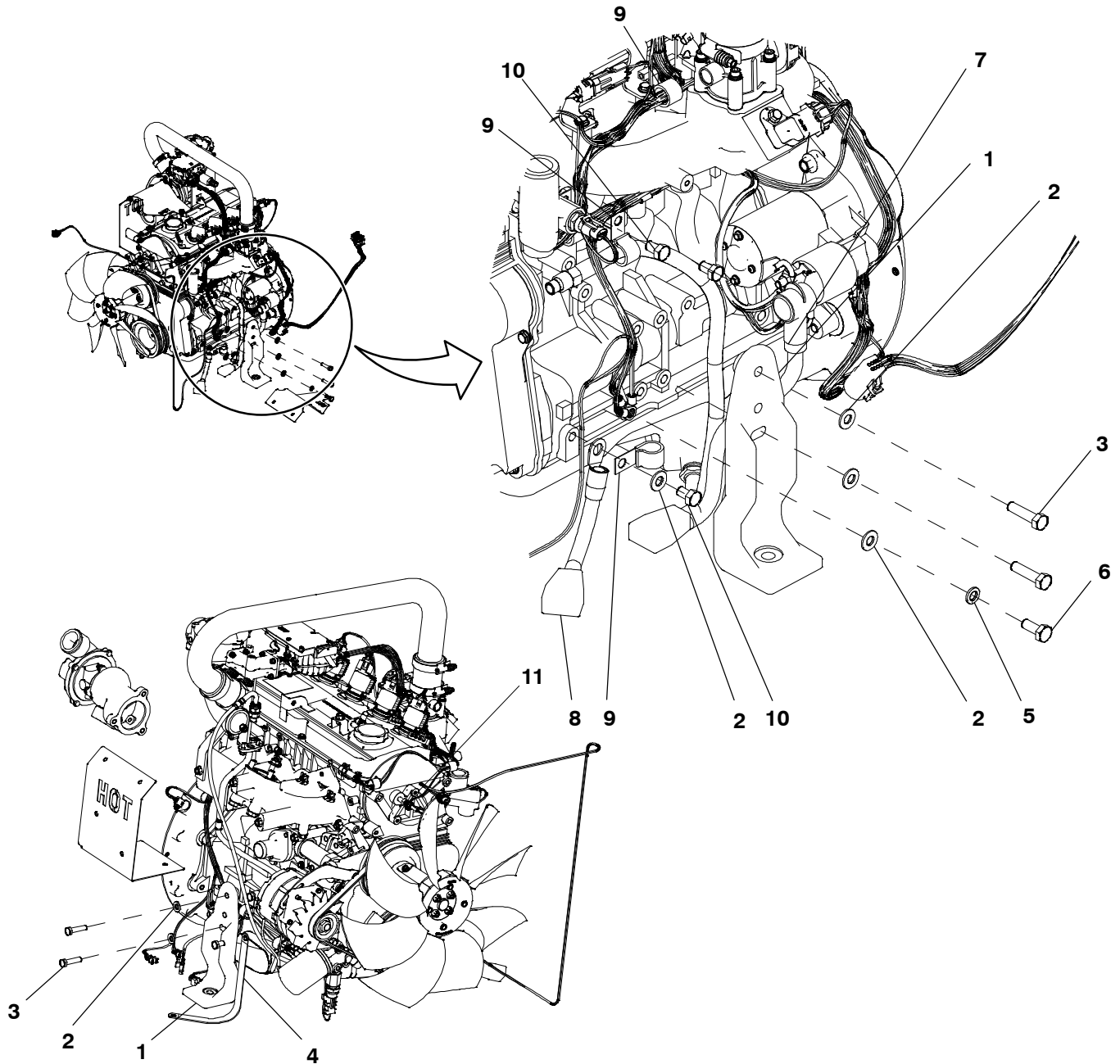
Engine Accessories C30 N6 (Illustration #5)



Engine Accessories
C30 N6 (Illustration #5)

Item	Part No.	Description	Qty
1	0870-2065-03	Nut, Hex Flange	6
2	A043Y505	Shield, Heat	1
3	A042T799	Bracket, Fuel System	1
4	A042W988	Bracket, Support	1
5	A042V123	Adapter, Hose	1
6	A041M082	Hose, Intake	1
7	0503-1140	Clamp	2
8	A041D811	Mixer	1
9	0526-0399-58	Washer, Flat	12
10	0850-0114-53	Washer, Lock	8
11	A043W095	Screw, Socket Head	8
12	A043T127	Adapter	1
13	A043M347	Regulator, Pressure (Includes ECM)	1
14	A043J544	Adapter	1
15	0505-0029	Coupling, Pipe	1
16	0502-0836	Fitting, Hose	1
17	0800-6524-01	Screw, Hex Flange Head	7
18	0800-6524-02	Screw, Hex Flange Head	4
19	0800-6524-03	Screw, Hex Flange Head	2
20	0526-0399-56	Washer, Flat	12
21	0850-0114-52	Washer, Lock	8
22	A043W091	Screw, Socket Head	4
23	A043W092	Screw, Socket Head	4
24	0862-0026-53	Nut, Hex	4
25	0526-0399-54	Washer, Flat	6
26	0850-0114-51	Washer, Lock	4
27	A043W090	Screw, Socket Head	4
28	0815-0792-04	Screw, Pan Head	2

Engine Accessories C30 N6 (Illustration #6)



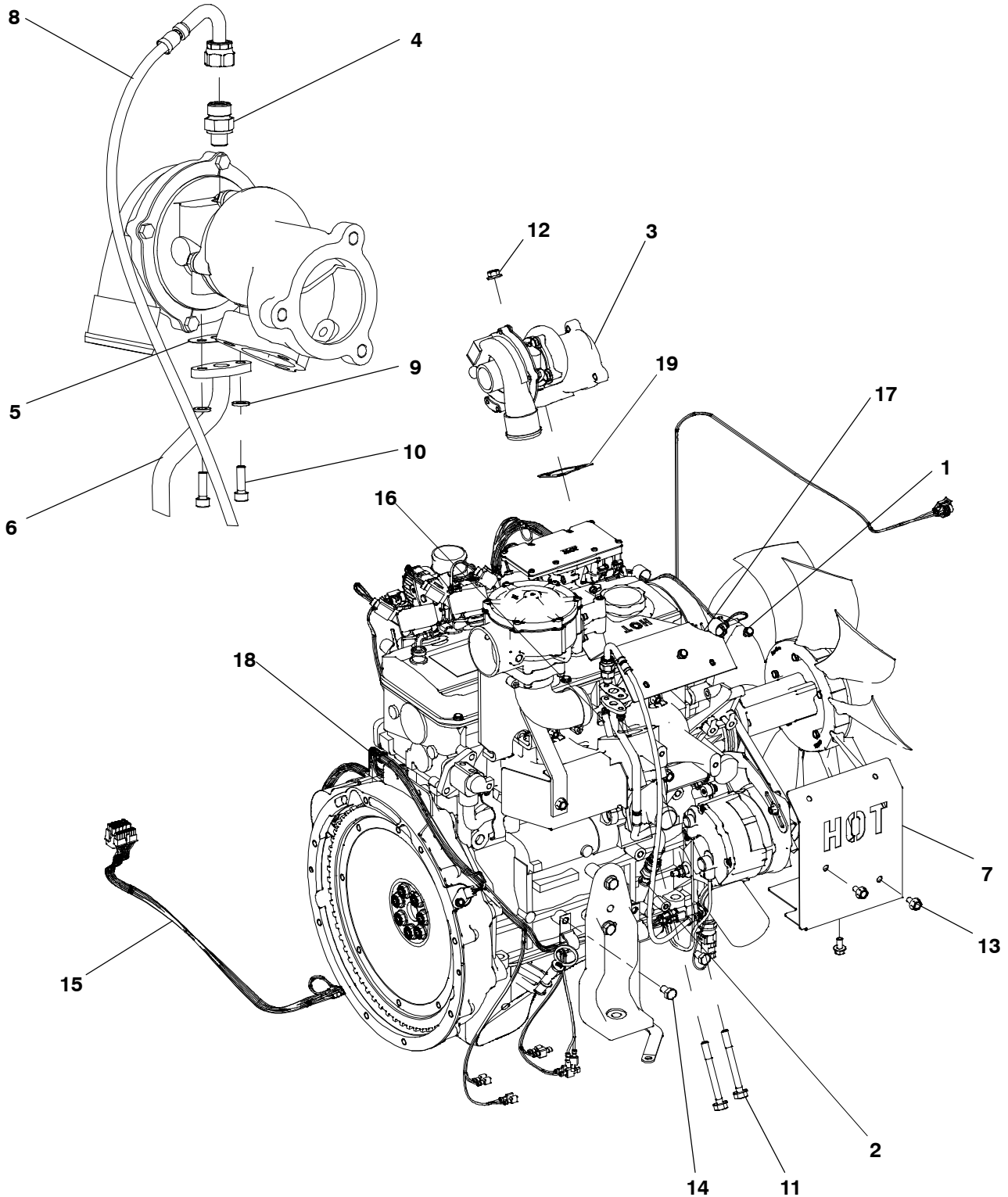
Engine Accessories

C30 N6 (Illustration #6)

Item	Part No.	Description	Qty
1	A042S971	Support, Engine	2
2	0526-2132	Washer, Flat	6
3	0800-3006	Screw, Hex Head	4
4	A042R110	Strap, Electrical	1
5	0850-2010	Washer, Lock	1
6	0815-0600	Screw, Hex Head	1
7	A043V133	Lead, Battery (Includes A043U979 Terminal Cover)	1
8	A043V162	Lead, Battery (Includes A043U981 Terminal Cover)	1
9	0332-2634	Clamp, J	6
10	0815-0586	Screw, Hex Head	5
11	0332-1794	Tie, Cable	2

Engine Accessories

C36 N6, C40 N6 (Illustration #1)



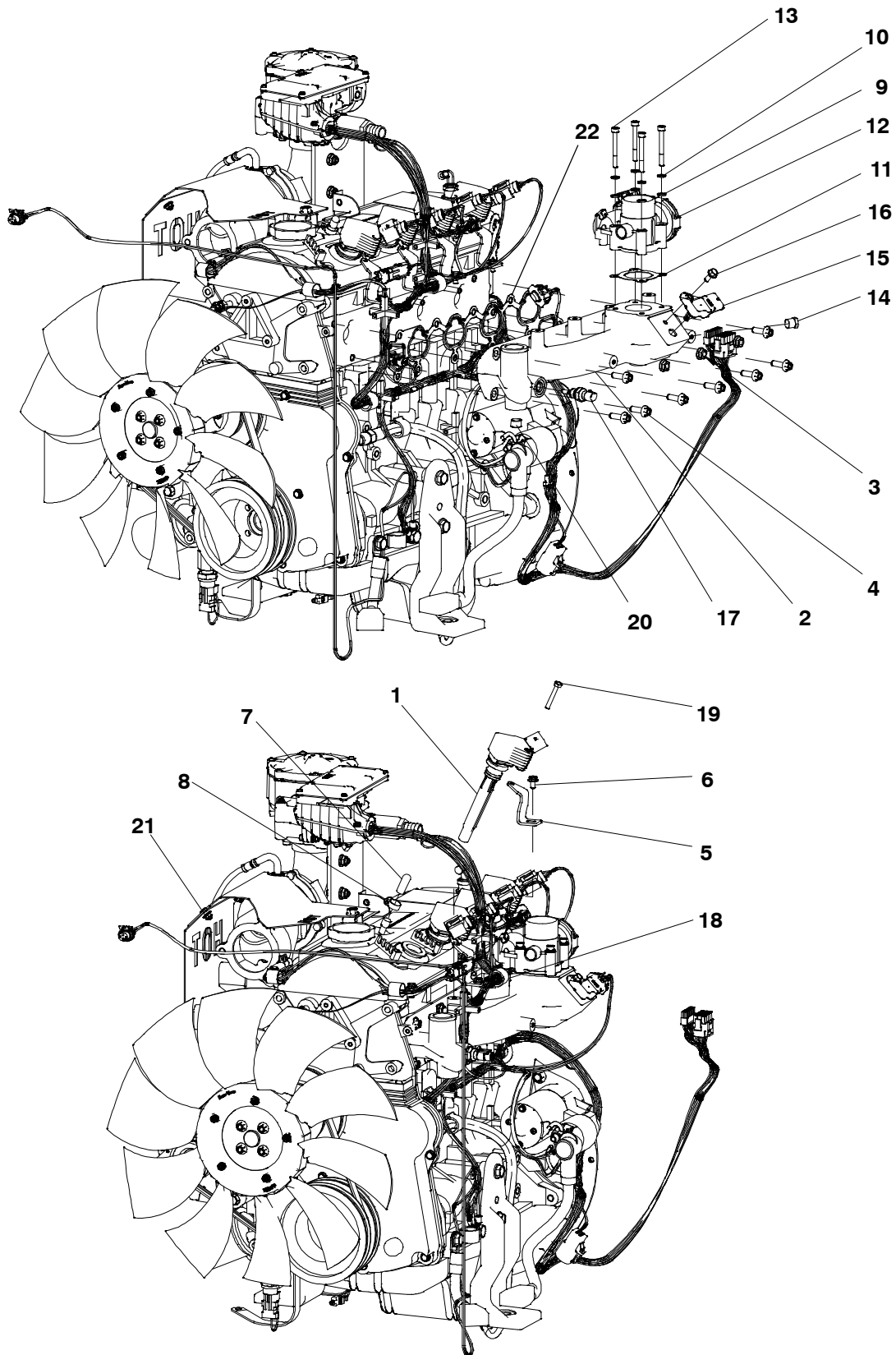
Engine Accessories

C36 N6, C40 N6 (Illustration #1)

Item	Part No.	Description	Qty
1	0821-2032	Screw, Hex Flange Head	6
2	A048A860	Fitting, Connector	1
3	A042V349	Turbocharger	1
4	A041M126	Adapter, Hose	1
5	A045E099	Gasket	1
6	A042R703	Tube, Oil	1
7	A042S947	Shield, Heat	1
8	A042T054	Hose, Flexible	1
9	0526-2080	Washer, Flat	2
10	0725-1028	Screw, Socket Head	2
11	A043A816	Screw, Hex Flange Head	2
12	0870-2065-04	Nut, Hex	1
13	0800-6524-01	Screw, Hex Flange Head	7
14	0815-0586	Screw, Hex Head	5
15	A042Y601	Harness, Generator Electrical	1
16	A043B616	Stud, Threaded	1
17	A049T314	Shield, Heat	1
18	0332-1794	Tie, Cable	2
19	A042V342	Gasket, Turbocharger	1

Engine Accessories

C36 N6, C40 N6 (Illustration #2)

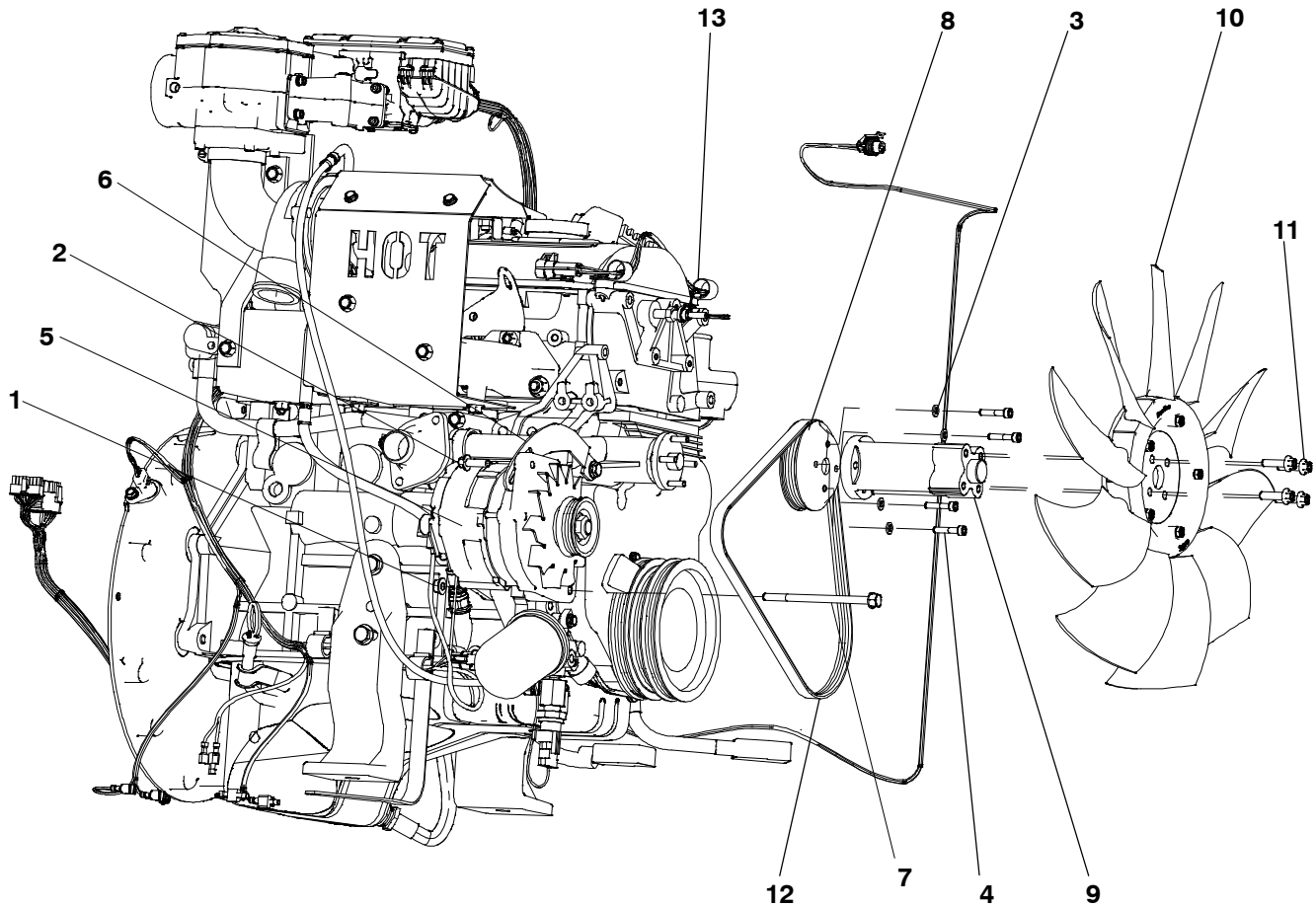


Engine Accessories
C36 N6, C40 N6 (Illustration #2)

Item	Part No.	Description	Qty
1	A044V727	Coil, Ignition	4
2	A042V490	Manifold, Intake	1
3	0870-2065-03	Nut, Hex Flange	6
4	A029H218	Screw, Hex Flange Head	9
5	A044Z748	Bracket, Engine	4
6	0821-2032	Screw, Hex Flange Head	6
7	A041E777	Plug, Cap	1
8	0503-0685	Clamp	1
9	0526-0399-58	Washer, Flat	12
10	0850-0114-53	Washer, Lock	8
11	A041E161	Gasket	1
12	A041E163	Body, Throttle	1
13	A043W097	Screw, Socket Head	4
14	0502-0153	Plug, Hex Pipe	1
15	A044B224	Sensor, Pressure	1
16	0800-6375-01	Screw, Hex Flange Head	1
17	A041J068	Sensor, Temperature	1
18	0332-2634	Clamp, J	6
19	0800-2038	Screw, Hex Head	4
20	A047M766	Plug, Pipe	1
21	0870-2065-02	Nut, Hex Flange	2
22	A043D271	Gasket, Inlet Manifold	1

Engine Accessories

C36 N6, C40 N6 (Illustration #3)

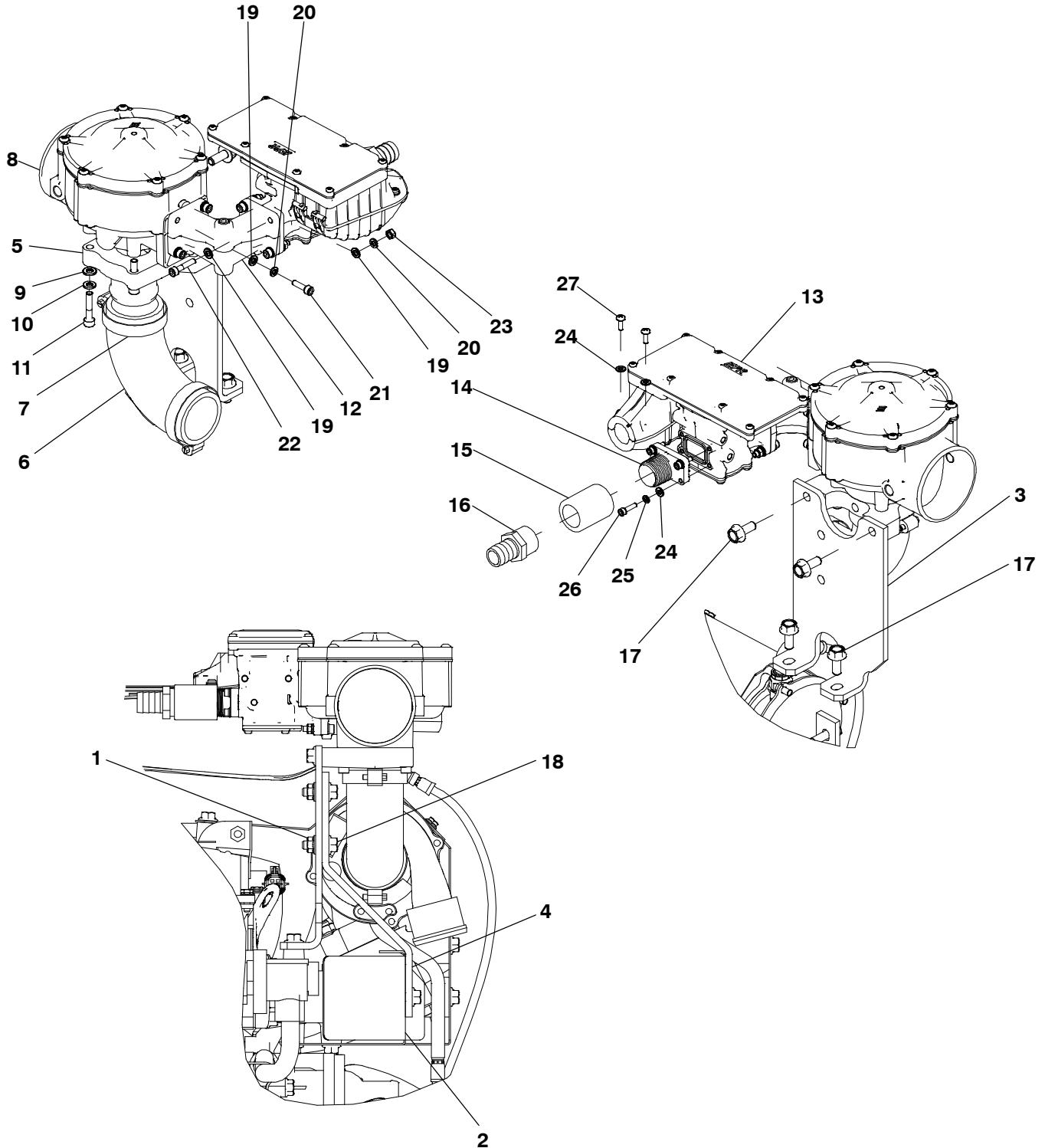


Item	Part No.	Description	Qty
1	0870-2065-03	Nut, Hex Flange	6
2	A029H218	Screw, Hex Flange Head	9
3	0526-0399-58	Washer, Flat	12
4	A043W095	Screw, Socket Head	8
5	A040M101	Alternator, Battery Charge	1
6	A040M489	Bracket, Alternator Adjust	1
7	A041D103	Screw, Hex Flange Head	1
8	A042L098	Pulley, Fan	1
9	A043Y379	Spacer, Fan	1
10	A046B764	Fan, Radiator	1
11	A029S742	Screw, Hex Flange Head	4
12	A044A528	Belt, Alternator	1
13	0518-0548-22	Clamp	2

This page is Intentionally blank.

Engine Accessories

C36 N6, C40 N6 (Illustration #4)

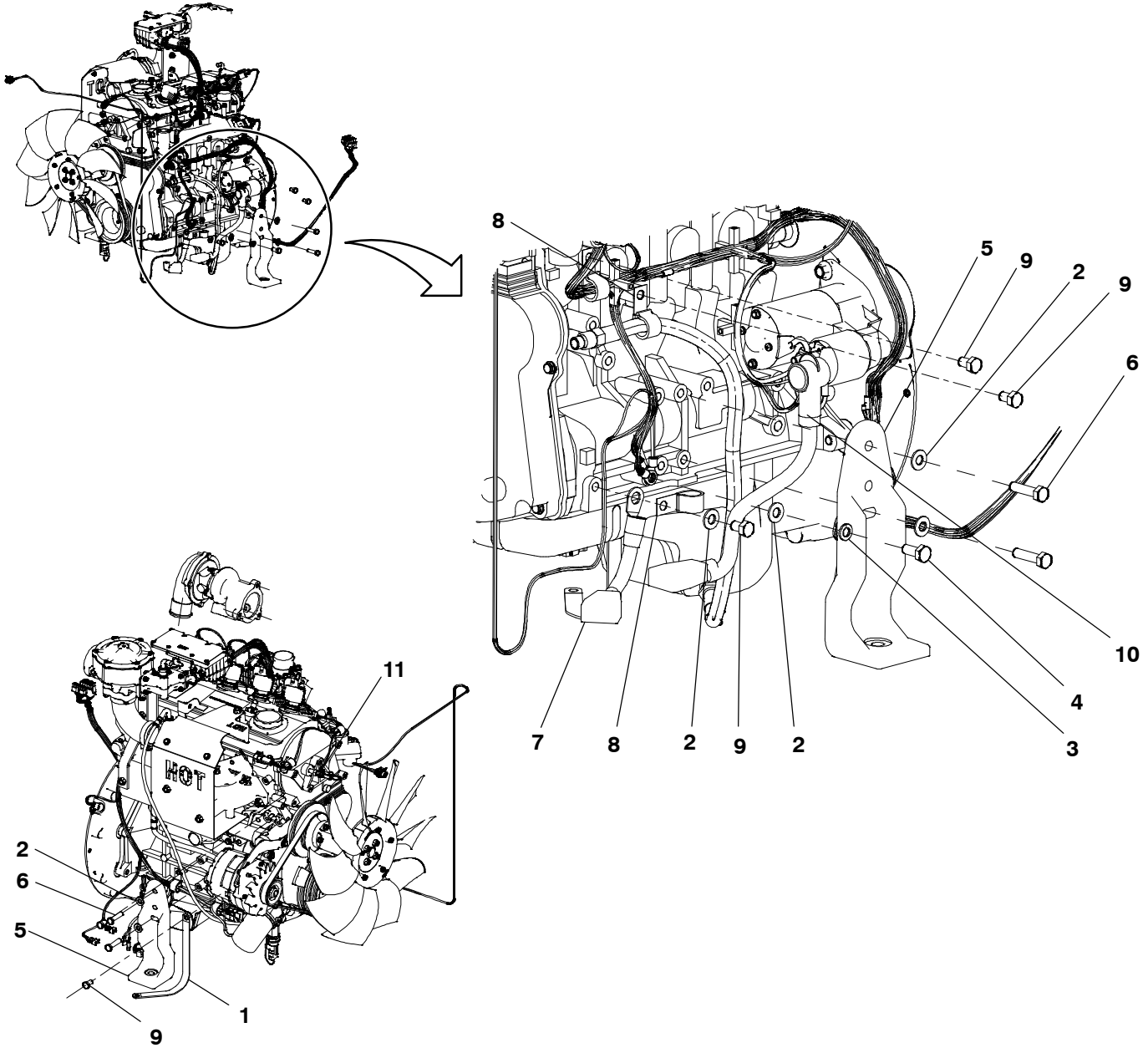


Engine Accessories
C36 N6, C40 N6 (Illustration #4)

Item	Part No.	Description	Qty
1	0870-2065-03	Nut, Hex Flange	6
2	A043Y505	Shield, Heat	1
3	A042T799	Bracket, Fuel System	1
4	A042W988	Bracket, Support	1
5	A041M052	Adapter, Hose	1
6	A041M082	Hose, Intake	1
7	0503-1140	Clamp	2
8	A041M304	Mixer	1
9	0526-0399-58	Washer, Flat	12
10	0850-0114-53	Washer, Lock	8
11	A043W095	Screw, Socket Head	8
12	A043T127	Adapter	1
13	A062E033	Regulator, Pressure (Includes ECM)	1
14	A043J544	Adapter	1
15	0505-0029	Coupling, Pipe	1
16	0502-0836	Fitting, Hose	1
17	0800-6524-02	Screw, Hex Flange Head	4
18	0800-6524-03	Screw, Hex Flange Head	2
19	0526-0399-56	Washer, Flat	12
20	0850-0114-52	Washer, Lock	8
21	A043W091	Screw, Socket Head	4
22	A043W092	Screw, Socket Head	4
23	0862-0026-53	Nut, Hex	4
24	0526-0399-54	Washer, Flat	6
25	0850-0114-51	Washer, Lock	4
26	A043W090	Screw, Socket Head	4
27	0815-0792-04	Screw, Pan Head	2

Engine Accessories

C36 N6, C40 N6 (Illustration #5)



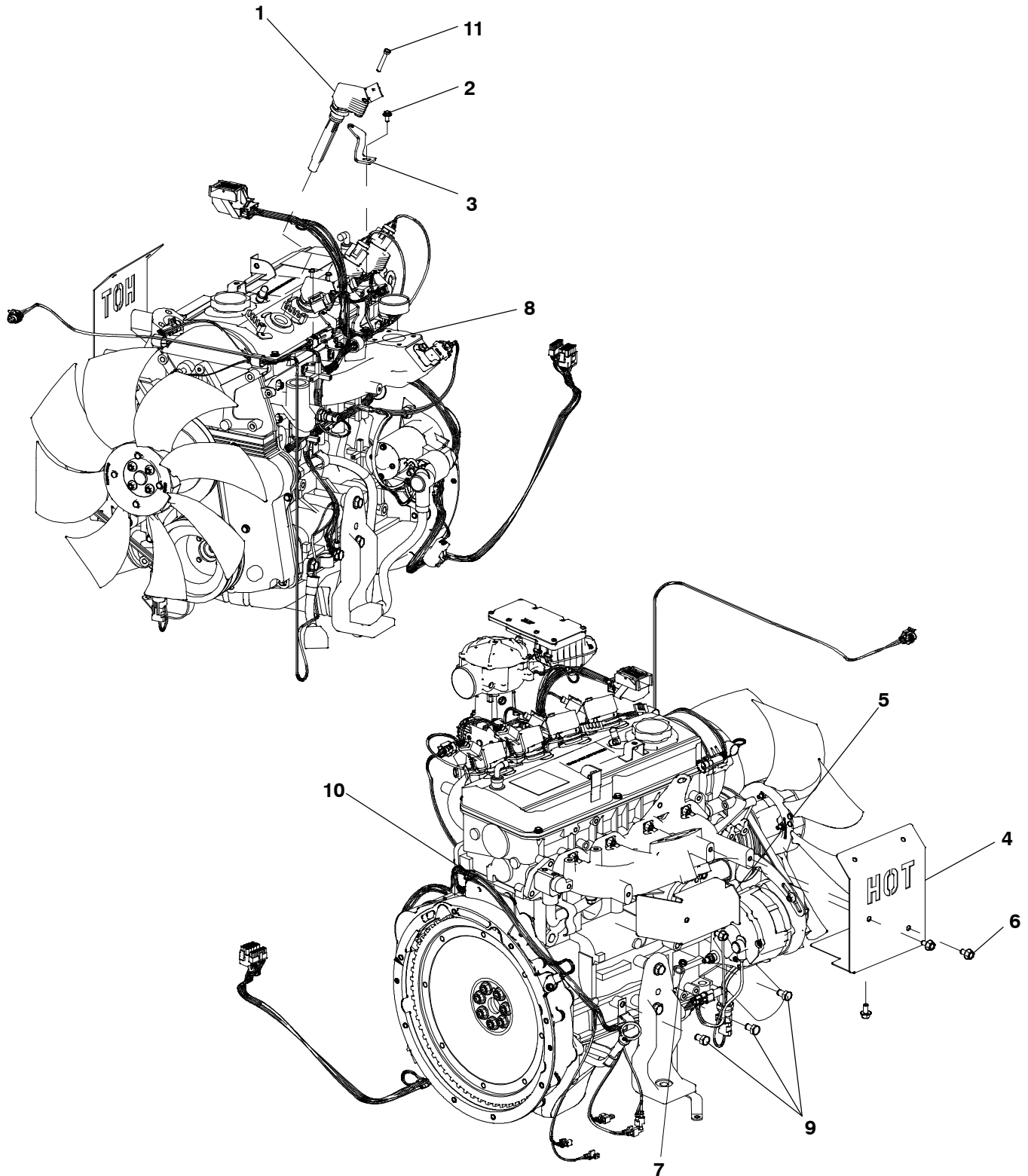
Engine Accessories

C36 N6, C40 N6 (Illustration #5)

Item	Part No.	Description	Qty
1	A042R110	Strap, Electrical	1
2	0526-2132	Washer, Flat	6
3	0850-2010	Washer, Lock	1
4	0815-0600	Screw, Hex Head	1
5	A042S971	Support, Engine	2
6	0800-3006	Screw, Hex Head	4
7	A043V162	Lead, Battery (Includes A043U981 Terminal Cover)	1
8	0332-2634	Clamp, J	6
9	0815-0586	Screw, Hex Head	5
10	A043V133	Lead, Battery (Includes A043U979 Terminal Cover)	1
11	0332-1794	Tie, Cable	2

Engine Accessories

C30 N6H (Illustration #1)

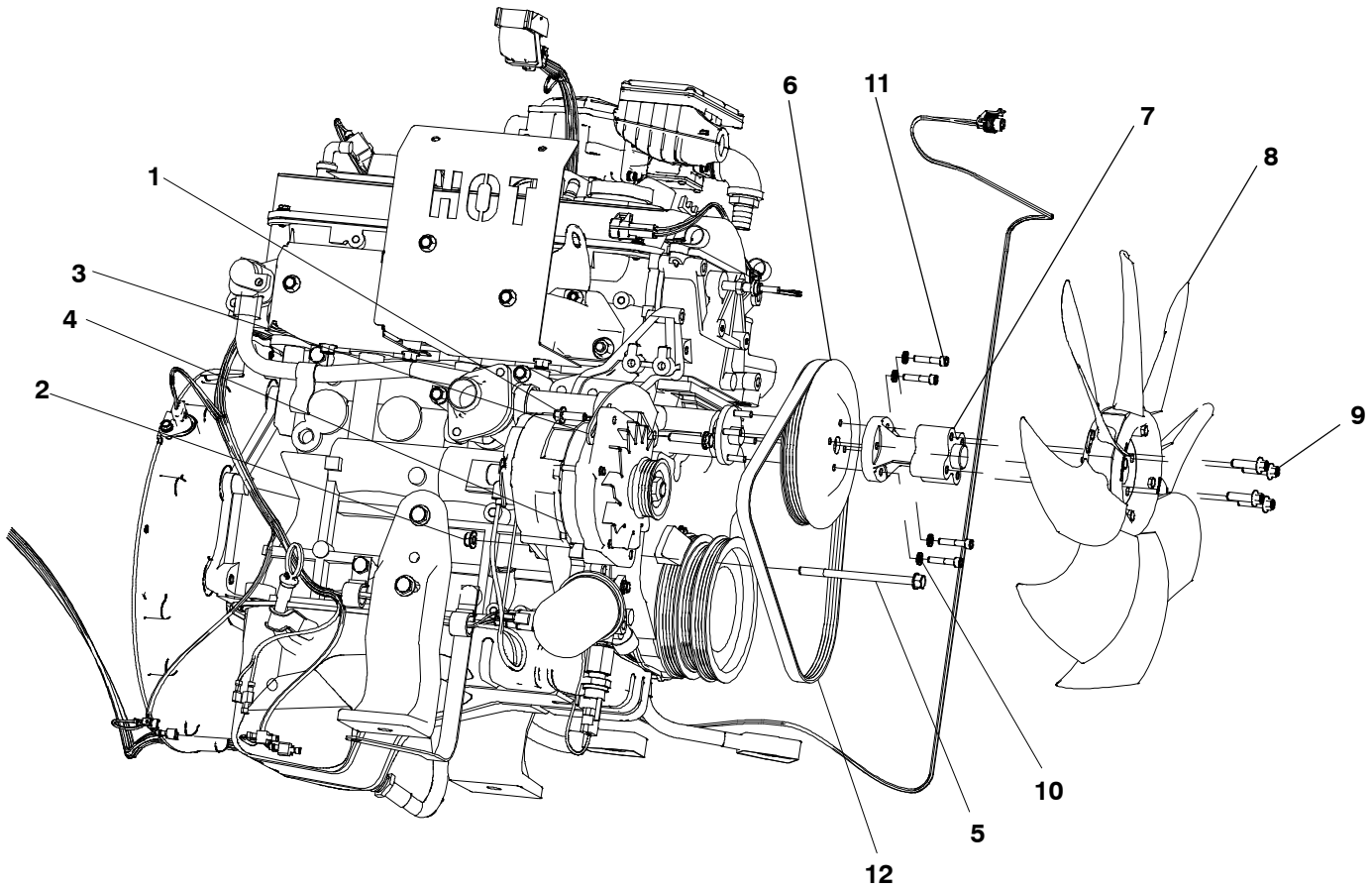


Engine Accessories

C30 N6H (Illustration #1)

Item	Part No.	Description	Qty
1	A044V727	Coil, Ignition	4
2	0821-2032	Screw, Hex Flange Head	4
3	A044Z748	Bracket, Engine	2
4	A042S947	Shield, Heat	1
5	A043Y505	Shield, Heat	1
6	0800-6524-01	Screw, Hex Flange Head	6
7	A048A702	Plug, Expansion	1
8	0332-2634	Clamp, J	6
9	0851-0586	Screw, Hex Head	5
10	0332-1794	Tie, Cable	2
11	0800-2038	Screw, Hex Head	4

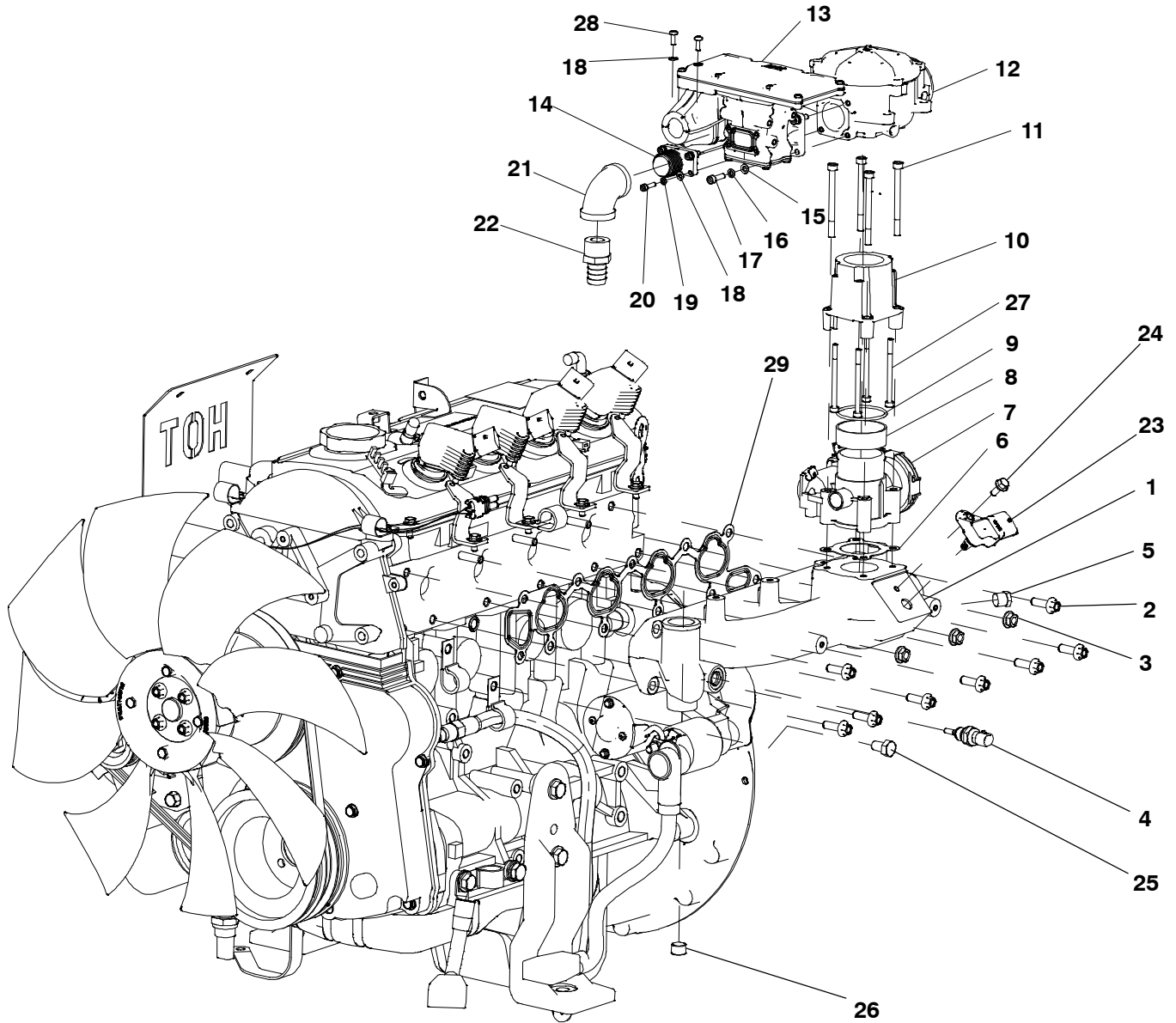
Engine Accessories
C30 N6H (Illustration #2)



Item	Part No.	Description	Qty
1	A029H218	Screw, Hex Flange Head	9
2	0870-2065-03	Nut, Hex Flange	4
3	A040M489	Bracket, Alternator Adjust	1
4	A040M101	Alternator, Battery Charge	1
5	A041D103	Screw, Hex Flange Head	1
6	A043Y668	Pulley, Fan	1
7	A043Y383	Spacer, Fan	1
8	A043X199	Fan, Radiator	1
9	A029S742	Screw, Hex Flange Head	4
10	0526-0399-58	Washer, Flat	4
11	A043W095	Screw, Socket Head	4
12	A044N208	Belt, Alternator	1

This page is Intentionally blank.

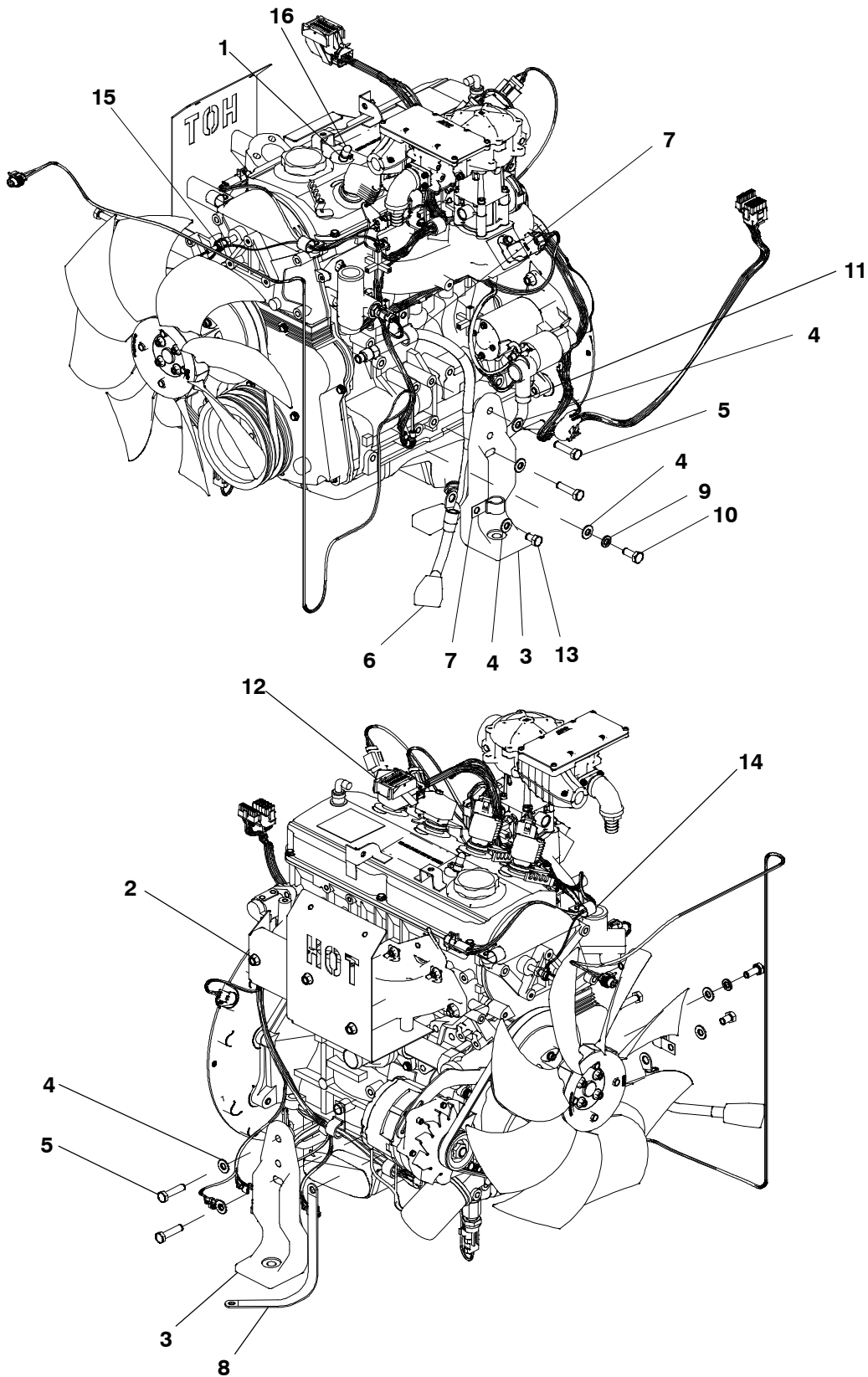
Engine Accessories C30 N6H (Illustration #3)



Engine Accessories
C30 N6H (Illustration #3)

Item	Part No.	Description	Qty
1	A042V490	Manifold, Intake	1
2	A029H218	Screw, Hex Flange Head	9
3	0870-2065-03	Nut, Hex Flange	4
4	A041J068	Sensor, Temperature	1
5	0502-0153	Plug, Hex Pipe	1
6	A041E161	Gasket	1
7	A041E163	Body, Throttle	1
8	A043J723	Spacer	1
9	A043J731	Seal, O Ring	1
10	A045U530	Adapter	1
11	A045W861	Screw, Socket Head	4
12	A041D811	Mixer	1
13	A043M347	Regulator, Pressure (Includes ECM)	1
14	A043J544	Adapter	1
15	0526-0399-56	Washer, Flat	4
16	0850-0114-52	Washer, Lock	4
17	A043W091	Screw, Socket Head	4
18	0526-0399-54	Washer, Flat	6
19	0850-0114-51	Washer, Lock	4
20	A043W090	Screw, Socket Head	4
21	0505-0132	Elbow, Pipe	1
22	0502-0836	Fitting, Hose	1
23	A044B224	Sensor, Pressure	1
24	0800-6375-01	Screw, Hex Flange Head	1
25	0851-0586	Screw, Hex Head	5
26	A047M766	Plug, Pipe	1
27	A046M850	Screw, Socket Head	4
28	0815-0792-04	Screw, Pan Head	2
29	A043D271	Gasket, Inlet Manifold	1

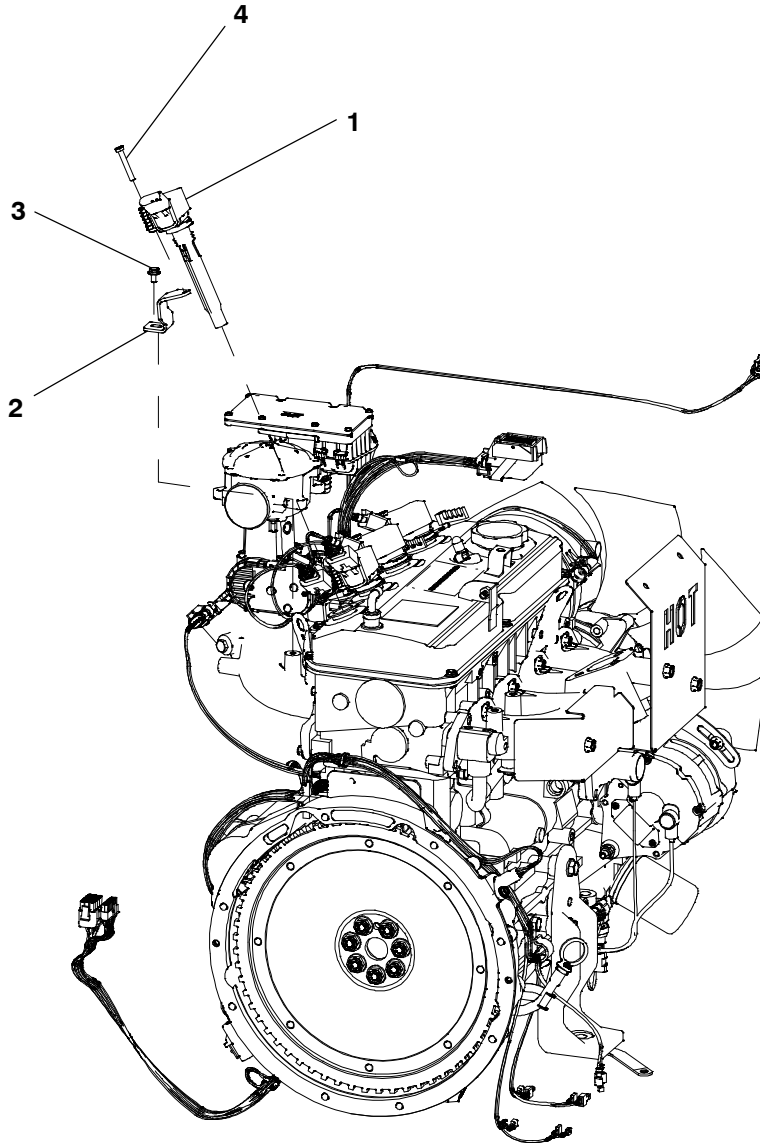
Engine Accessories C30 N6H (Illustration #4)



Engine Accessories
C30 N6H (Illustration #4)

Item	Part No.	Description	Qty
1	0503-0685	Clamp	1
2	0800-6524-01	Screw, Hex Flange Head	6
3	A042S971	Support, Engine	2
4	0526-2132	Washer, Flat	6
5	0800-3006	Screw, Hex Head	4
6	A043V162	Lead, Battery (Includes A043U981 Terminal Cover)	1
7	0332-2634	Clamp, J	6
8	A042R110	Strap, Electrical	1
9	0850-2010	Washer, Lock	1
10	0815-0600	Screw, Hex Head	1
11	A043V133	Lead, Battery (Includes A043U979 Terminal Cover)	1
12	A042Y601	Harness, Generator Electrical	1
13	0851-0586	Screw, Hex Head	5
14	0518-0548-22	Clamp	2
15	0332-1794	Tie, Cable	2
16	A041E777	Plug, Cap	1

Engine Accessories
C30 N6H (Illustration #5)

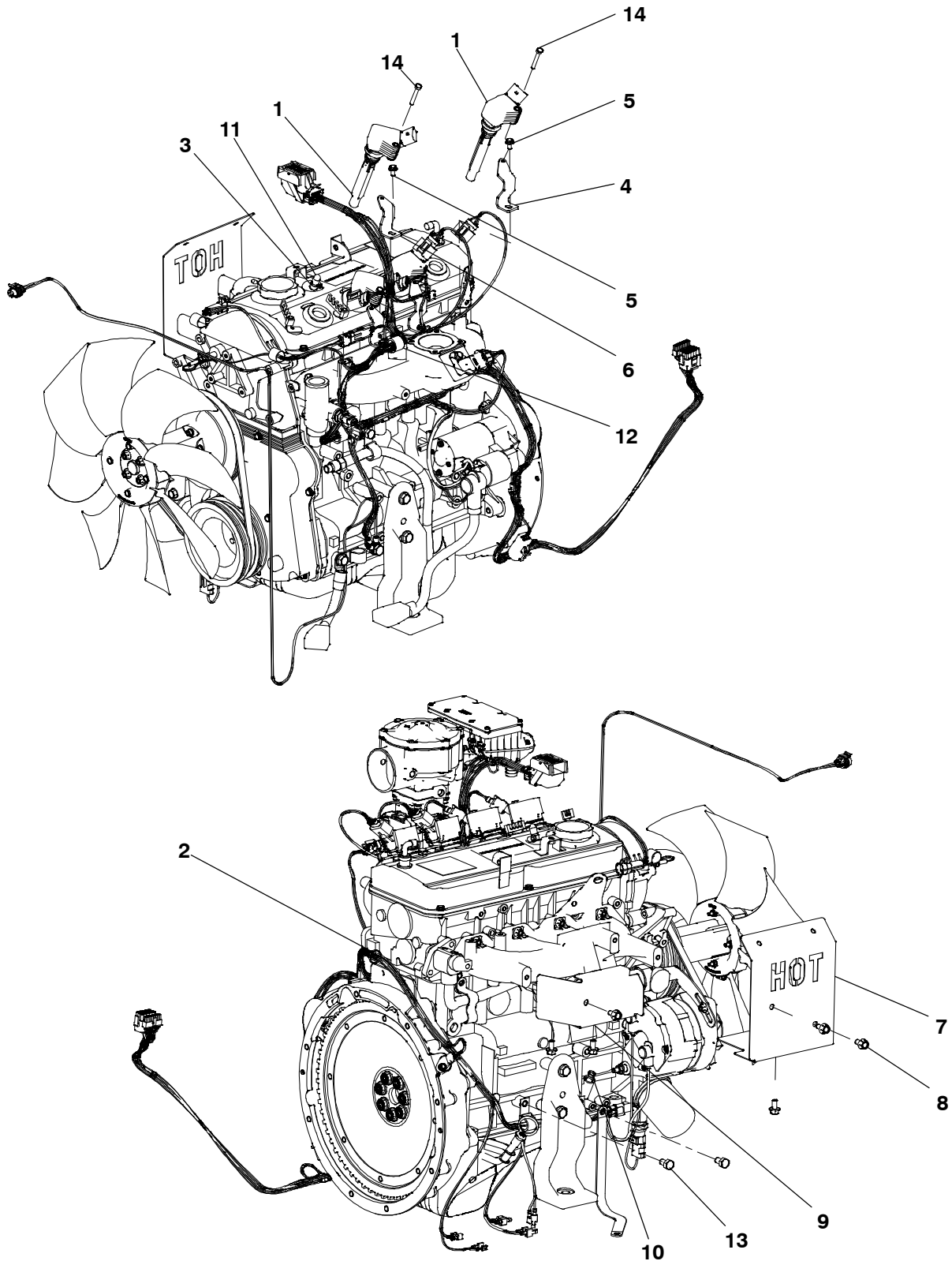


Item	Part No.	Description	Qty
1	A044V727	Coil, Ignition	4
2	A045F506	Bracket, Engine	2
3	0821-2032	Screw, Hex Flange Head	4
4	0800-2038	Screw, Hex Head	4

This page is Intentionally blank.

Engine Accessories

C36 N6H, C40 N6H (Illustration #1)

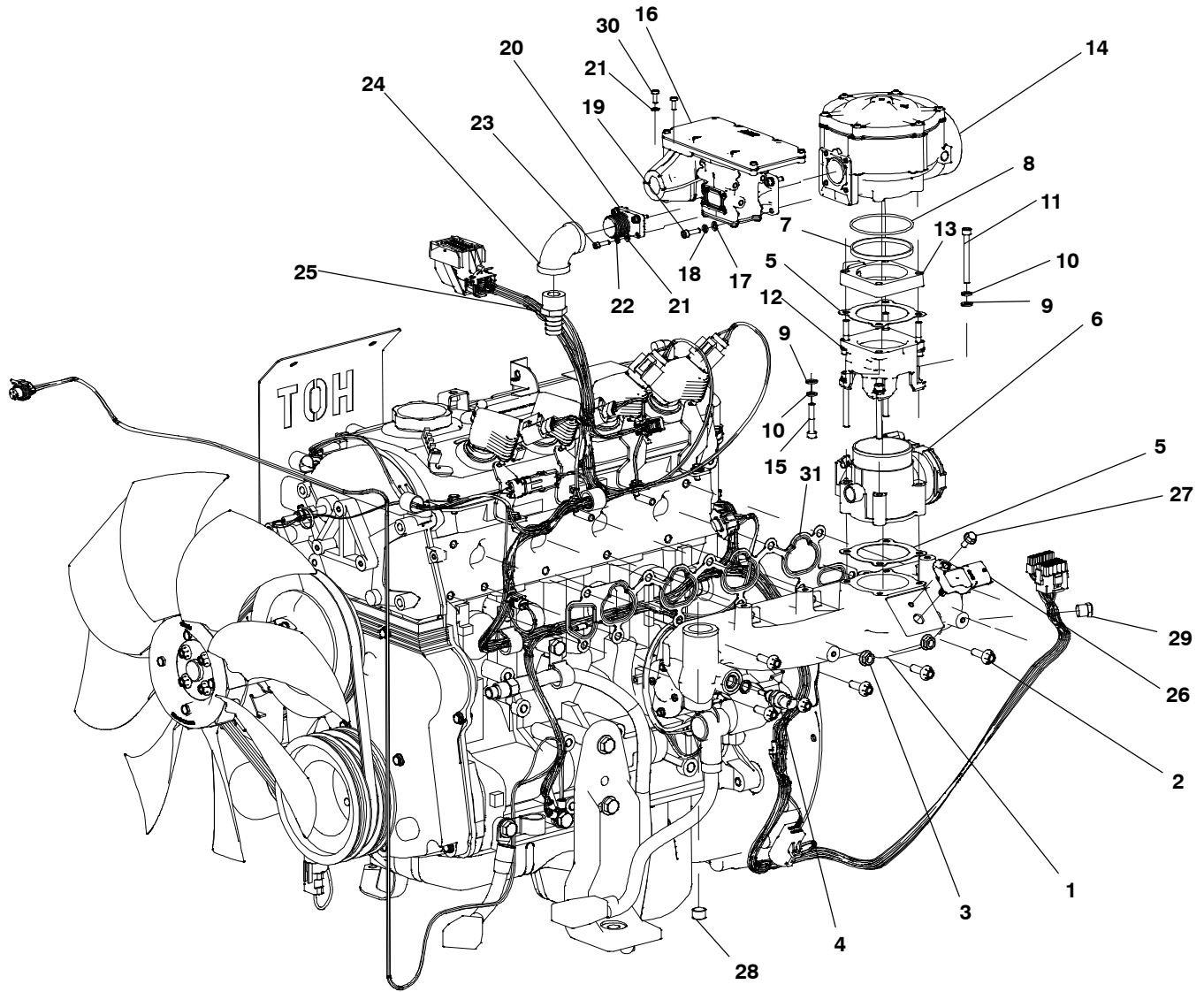


Engine Accessories

C36 N6H, C40 N6H (Illustration #1)

Item	Part No.	Description	Qty
1	A044V727	Coil, Ignition	4
2	0332-1794	Tie, Cable	2
3	0503-0685	Clamp	1
4	A045F506	Bracket, Engine	2
5	0821-2032	Screw, Hex Flange Head	4
6	A044Z748	Bracket, Engine	2
7	A042S947	Shield, Heat	1
8	0800-6524-01	Screw, Hex Flange Head	6
9	A043Y505	Shield, Heat	1
10	A048A702	Fitting, Connector	1
11	A041E777	Fitting, Hose Barb	1
12	0332-2634	Clamp, J	6
13	0815-0586	Screw, Hex Head	5
14	0800-2038	Screw, Hex Head	4

Engine Accessories C36 N6H, C40 N6H (Illustration #2)



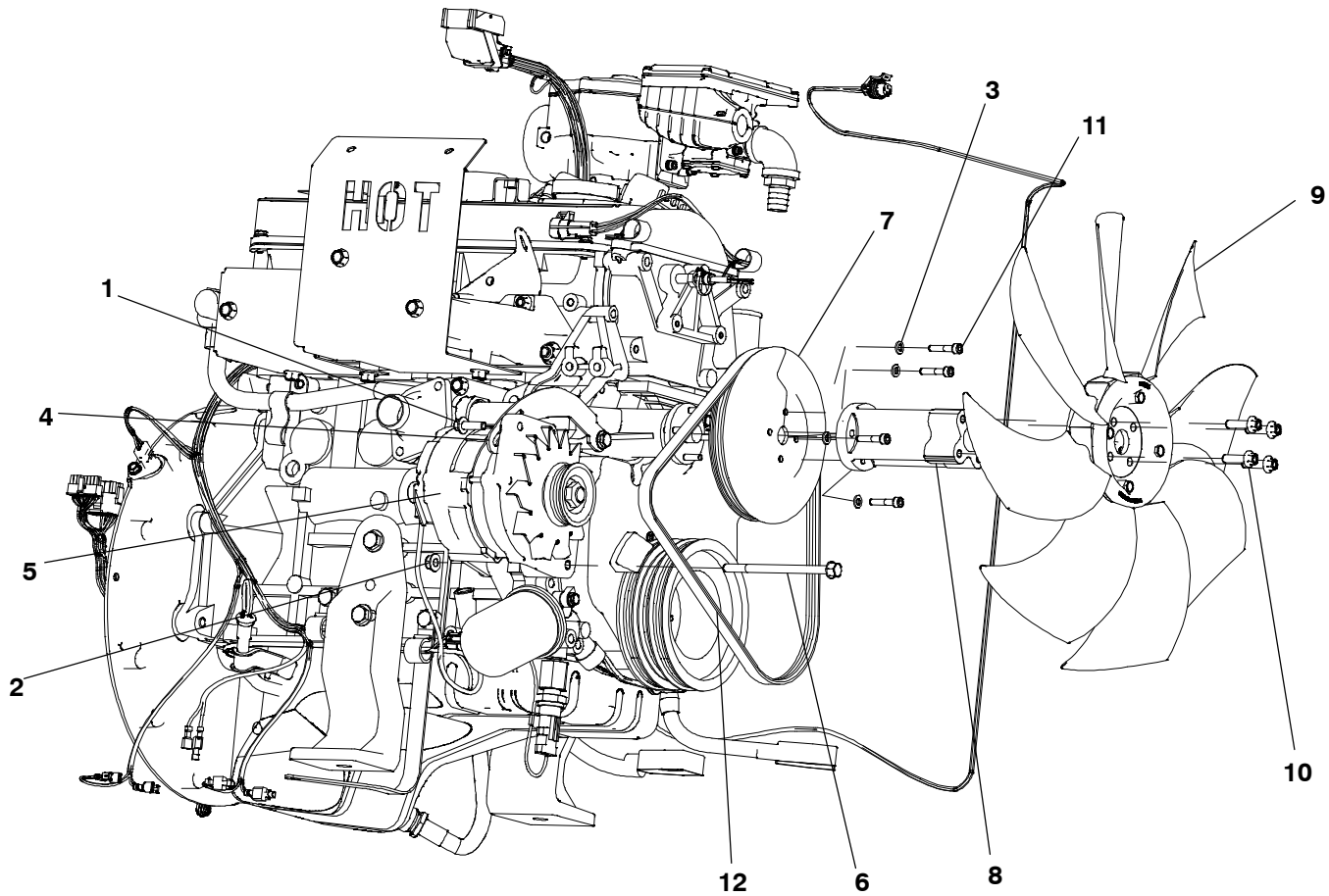
Engine Accessories

C36 N6H, C40 N6H (Illustration #2)

Item	Part No.	Description	Qty
1	A042V492	Manifold, Intake	1
2	A029H218	Screw, Hex Flange Head	9
3	0870-2065-03	Nut, Hex Flange	4
4	A041J068	Sensor, Temperature	1
5	A042T776	Gasket	2
6	A042T762	Body, Throttle	1
7	A043J744	Spacer	1
8	A043J742	Seal, O Ring	1
9	0526-0399-58	Washer, Flat	12
10	0850-0114-53	Washer, Lock	8
11	A043Z608	Screw, Socket Head	4
12	A043J534	Adapter	1
13	A045L132	Plate, Throttle	1
14	A041M304	Mixer	1
15	A045U816	Screw, Socket Head	4
16	A043M347	Regulator, Pressure (Includes ECM)	1
17	0526-0399-56	Washer, Flat	4
18	0850-0114-52	Washer, Lock	4
19	A043W091	Screw, Socket Head	4
20	A043J544	Adapter	1
21	0526-0399-54	Washer, Flat	6
22	0850-0114-51	Washer, Lock	4
23	A043W090	Screw, Socket Head	4
24	0505-0132	Elbow, Pipe	1
25	0502-0836	Fitting, Hose	1
26	A044B224	Sensor, Pressure	1
27	0800-6375-01	Screw, Hex Flange Head	1
28	A047M766	Plug, Pipe	1
29	0502-0153	Plug, Hex Pipe	1
30	0815-0792-04	Screw, Pan Head	2
31	A043D271	Gasket, Inlet Manifold	1

Engine Accessories

C36 N6H, C40 N6H (Illustration #3)

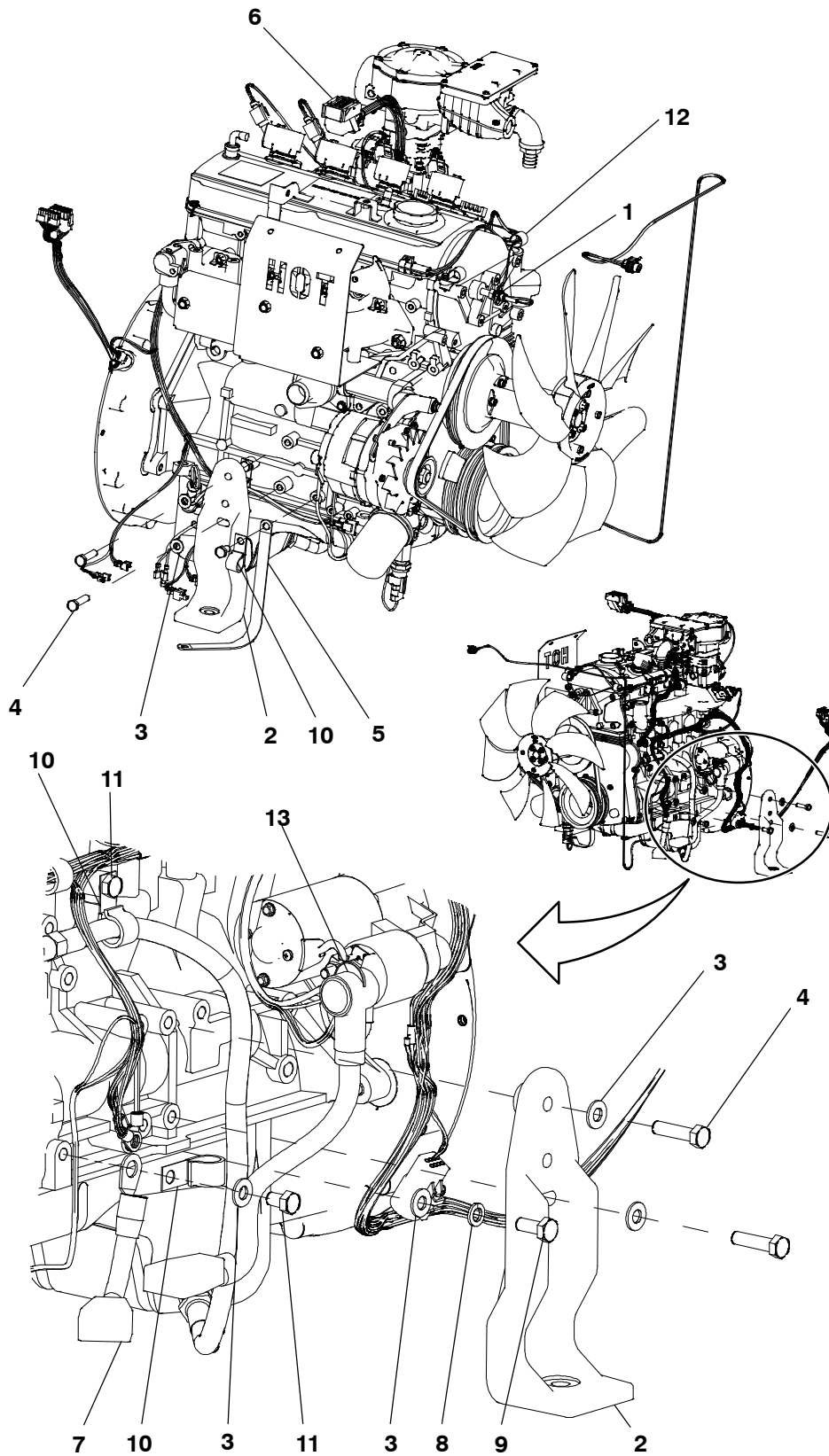


Item	Part No.	Description	Qty
1	A029H218	Screw, Hex Flange Head	9
2	0870-2065-03	Nut, Hex Flange	4
3	0526-0399-58	Washer, Flat	12
4	A040M489	Bracket, Alternator Adjust	1
5	A040M101	Alternator, Battery Charge	1
6	A041D103	Screw, Hex Flange Head	1
7	A043Y668	Pulley, Fan	1
8	A043Y379	Spacer, Fan	1
9	A043X199	Fan, Radiator	1
10	A029S742	Screw, Hex Flange Head	4
11	A043W095	Screw, Socket Head	4
12	A044N208	Belt, Alternator	1

This page is Intentionally blank.

Engine Accessories

C36 N6H, C40 N6H (Illustration #4)



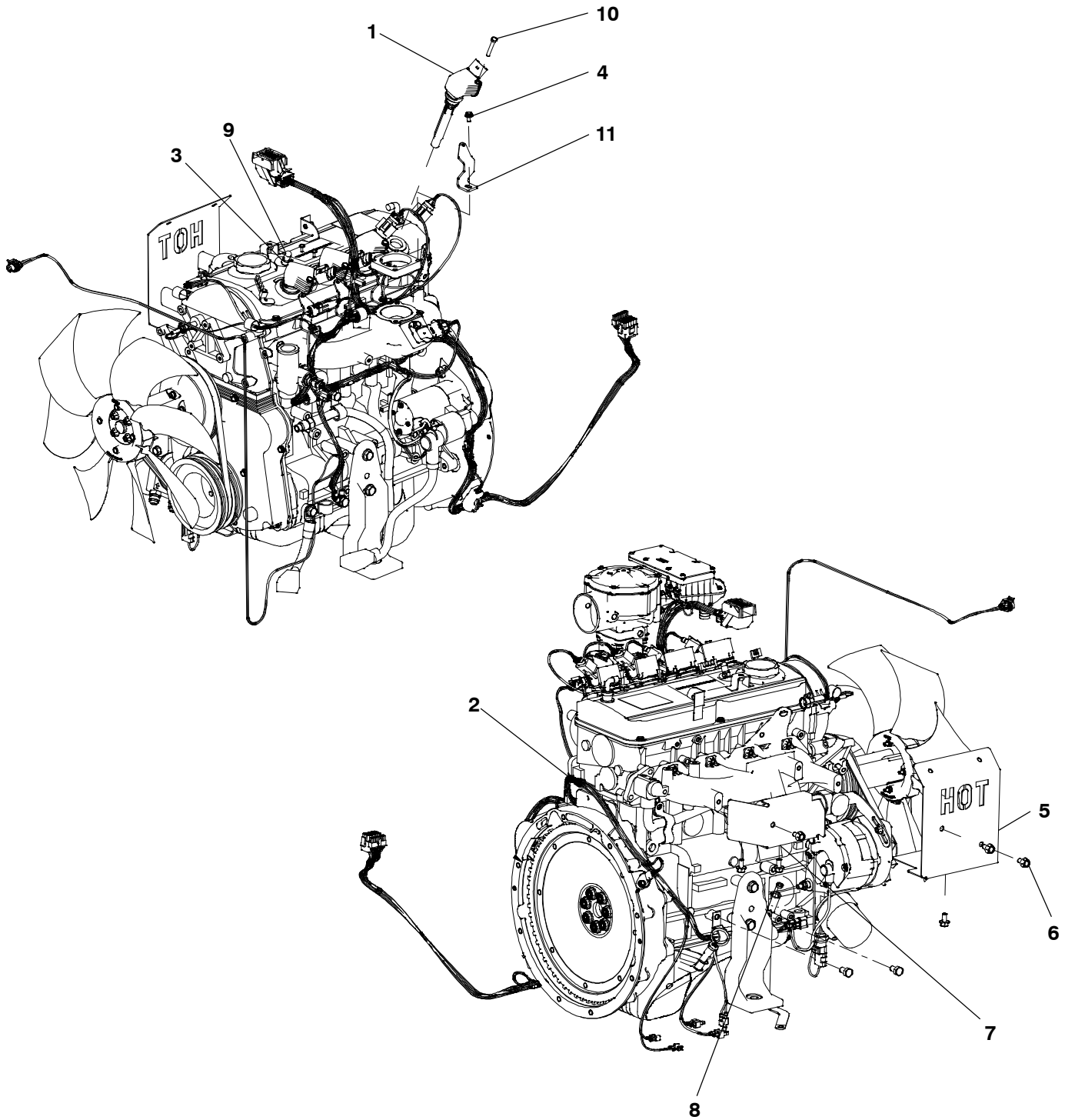
Engine Accessories

C36 N6H, C40 N6H (Illustration #4)

Item	Part No.	Description	Qty
1	0332-1794	Tie, Cable	2
2	A042S971	Support, Engine	2
3	0526-2132	Washer, Flat	6
4	0800-3006	Screw, Hex Head	4
5	A042R110	Strap, Electrical	1
6	A042Y601	Harness, Generator Electrical	1
7	A043V162	Lead, Battery (Includes A043U981 Terminal Cover)	1
8	0850-2010	Washer, Lock	1
9	0815-0600	Screw, Hex Head	1
10	0332-2634	Clamp, J	6
11	0815-0586	Screw, Hex Head	5
12	0518-0548-22	Clamp	2
13	A043V133	Lead, Battery (Includes A043U979 Terminal Cover)	1

Engine Accessories

C45 N6H, C50 N6H (Illustration #1)



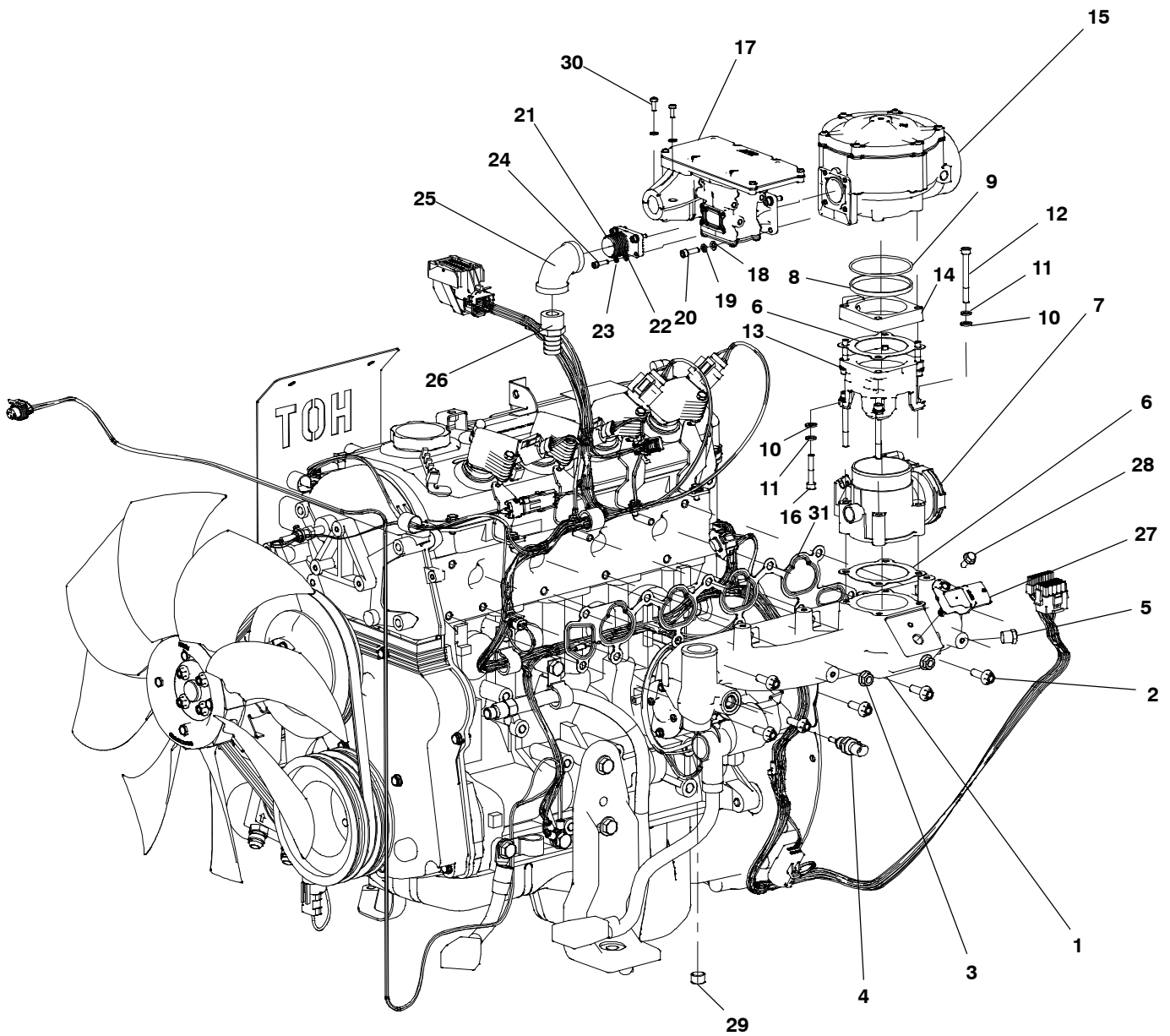
Engine Accessories

C45 N6H, C50 N6H (Illustration #1)

Item	Part No.	Description	Qty
1	A044V727	Coil, Ignition	4
2	0332-1794	Tie, Cable	2
3	0503-0685	Clamp	1
4	0821-2032	Screw, Hex Flange Head	4
5	A042S947	Shield, Heat	1
6	0800-6524-01	Screw, Hex Flange Head	6
7	A043Y505	Shield, Heat	1
8	A048A702	Plug, Expansion	1
9	A041E777	Plug, Cap	1
10	0800-2038	Screw, Hex Head	4
11	A045F506	Bracket, Engine	2

Engine Accessories

C45 N6H, C50 N6H (Illustration #2)



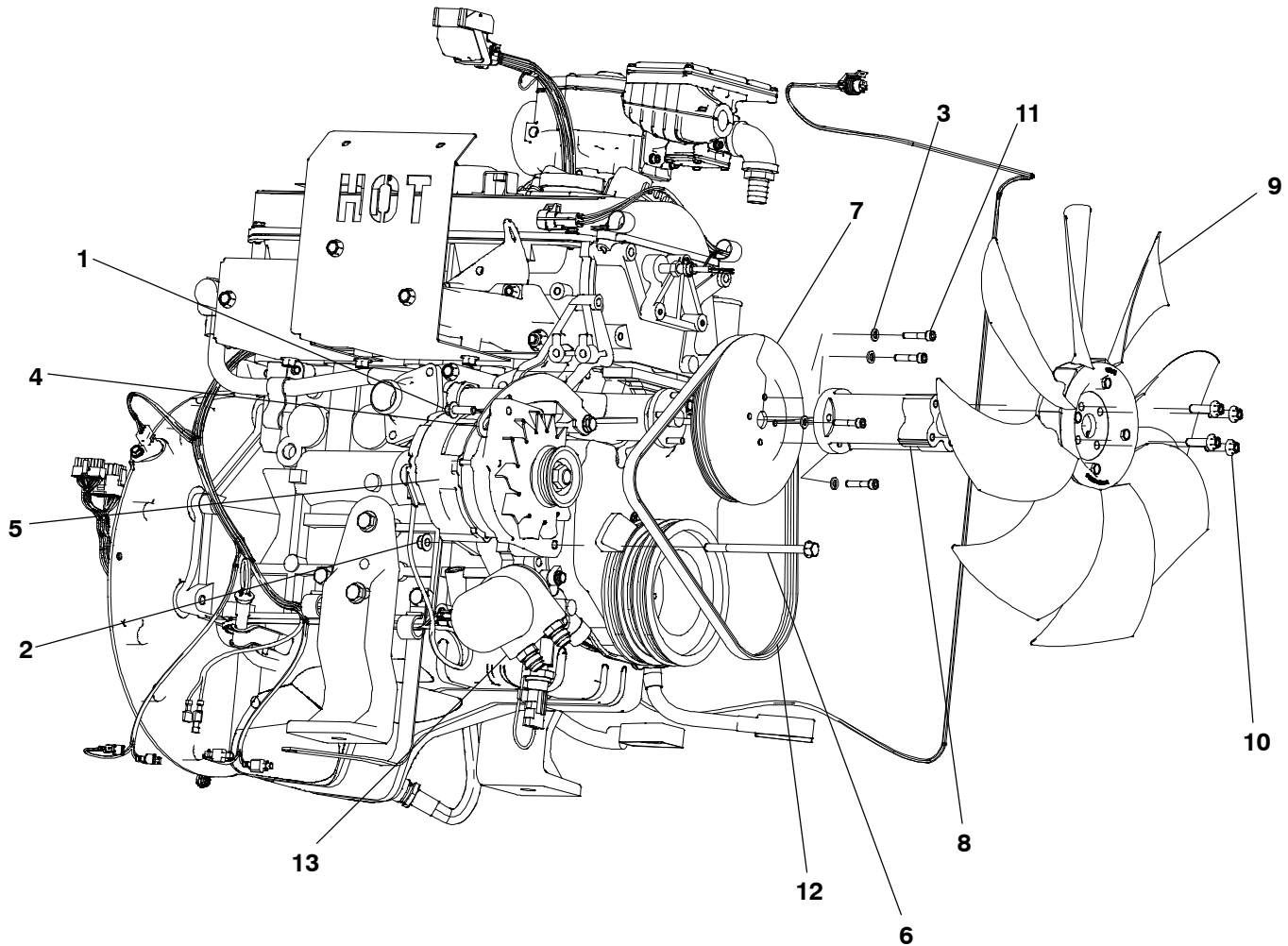
Engine Accessories

C45 N6H, C50 N6H (Illustration #2)

Item	Part No.	Description	Qty
1	A042V492	Manifold, Intake	1
2	A029H218	Screw, Hex Flange Head	9
3	0870-2065-03	Nut, Hex Flange	4
4	A041J068	Sensor, Temperature	1
5	0502-0153	Plug, Hex Pipe	1
6	A042T776	Gasket	2
7	A042T762	Body, Throttle	1
8	A043J744	Spacer	1
9	A043J742	Seal, O Ring	1
10	0526-0399-58	Washer, Flat	12
11	0850-0114-53	Washer, Lock	8
12	A043Z608	Screw, Socket Head	4
13	A043J534	Adapter	1
14	A045L132	Plate, Throttle	1
15	A041M304	Mixer	1
16	A045U816	Screw, Socket Head	4
17	A043M347	Regulator, Pressure (Includes ECM)	1
18	0526-0399-56	Washer, Flat	4
19	0850-0114-52	Washer, Lock	4
20	A043W091	Screw, Socket Head	4
21	A043J544	Adapter	1
22	0526-0399-54	Washer, Flat	6
23	0850-0114-51	Washer, Lock	4
24	A043W090	Screw, Socket Head	4
25	0505-0132	Elbow, Pipe	1
26	0502-0836	Fitting, Hose	1
27	A044B224	Sensor, Pressure	1
28	0800-6375-01	Screw, Hex Flange Head	1
29	A047M766	Plug, Pipe	1
30	0815-0792-04	Screw, Pan Head	2
31	A043D271	Gasket, Inlet Manifold	1

Engine Accessories

C45 N6H, C50 N6H (Illustration #3)

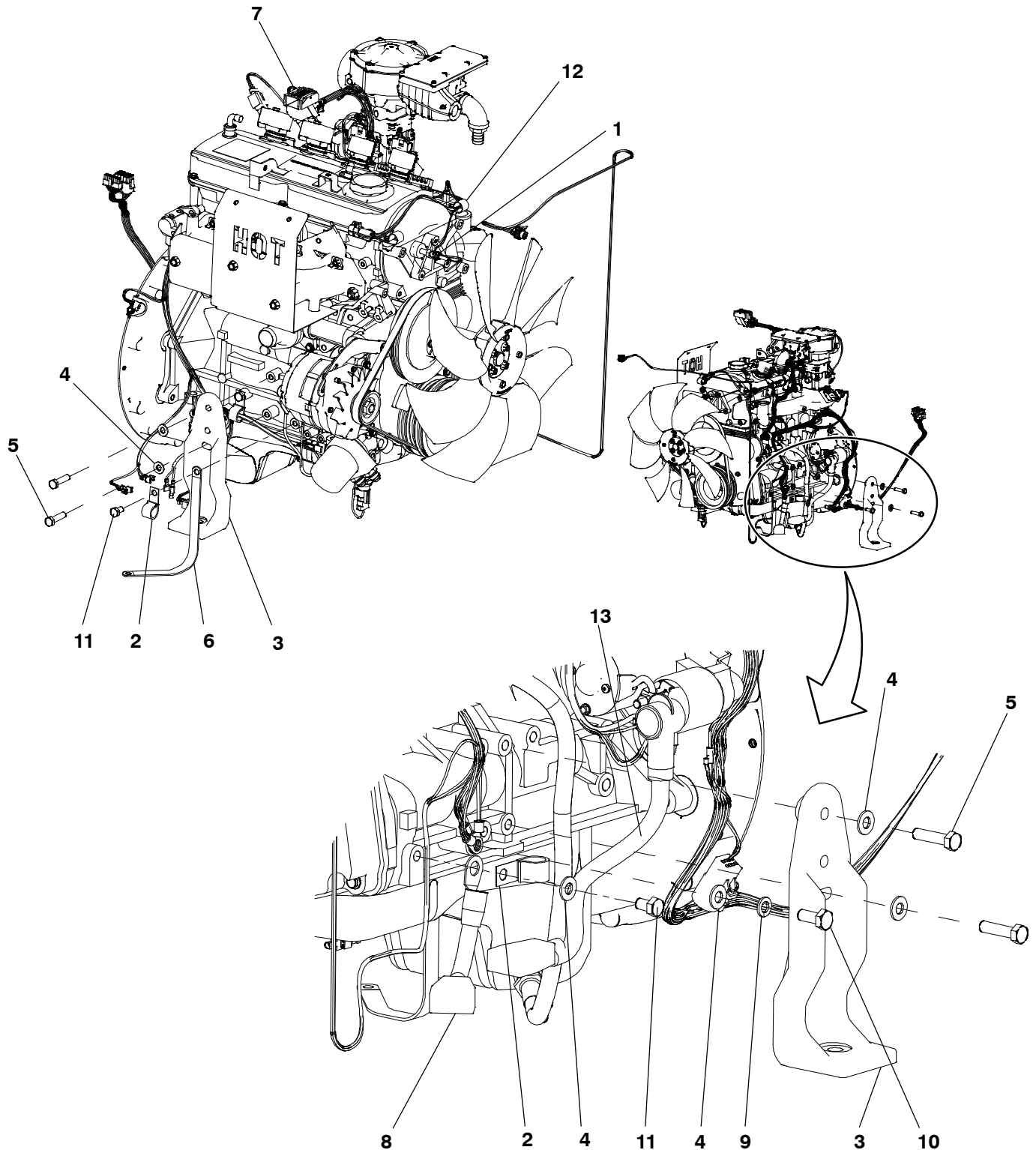


Item	Part No.	Description	Qty
1	A029H218	Screw, Hex Flange Head	9
2	0870-2065-03	Nut, Hex Flange	4
3	0526-0399-58	Washer, Flat	12
4	A040M489	Bracket, Alternator Adjust	1
5	A040M101	Alternator, Battery Charge	1
6	A041D103	Screw, Hex Flange Head	1
7	A043Y668	Pulley, Fan	1
8	A043Y379	Spacer, Fan	1
9	A043X199	Fan, Radiator	1
10	A029S742	Screw, Hex Flange Head	4
11	A043W095	Screw, Socket Head	4
12	A044N208	Belt, Alternator	1
13	A041K639	Adapter, Oil Cooler	1

This page is Intentionally blank.

Engine Accessories

C45 N6H, C50 N6H (Illustration #4)



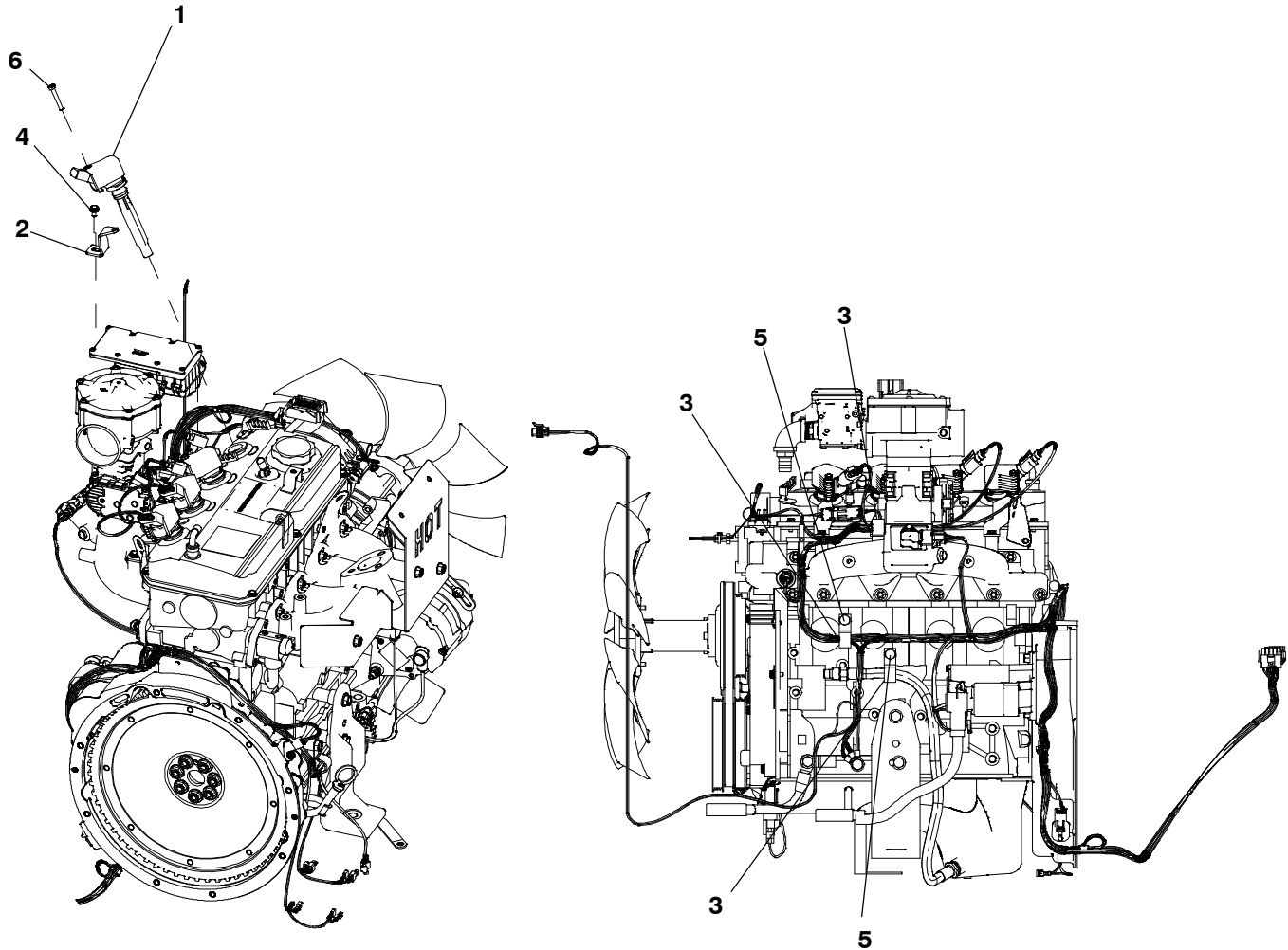
Engine Accessories

C45 N6H, C50 N6H (Illustration #4)

Item	Part No.	Description	Qty
1	0332-1794	Tie, Cable	2
2	0332-2634	Clamp, J	6
3	A042S971	Support, Engine	2
4	0526-2132	Washer, Flat	6
5	0800-3006	Screw, Hex Head	4
6	A042R110	Strap, Electrical	1
7	A042Y601	Harness, Generator Electrical	1
8	A043V162	Lead, Battery (Includes A043U981 Terminal Cover)	1
9	0850-2010	Washer, Lock	1
10	0815-0600	Screw, Hex Head	1
11	0815-0586	Screw, Hex Head	5
12	0518-0548-22	Clamp	2
13	A043V133	Lead, Battery (Includes A043U979 Terminal Cover)	1

Engine Accessories

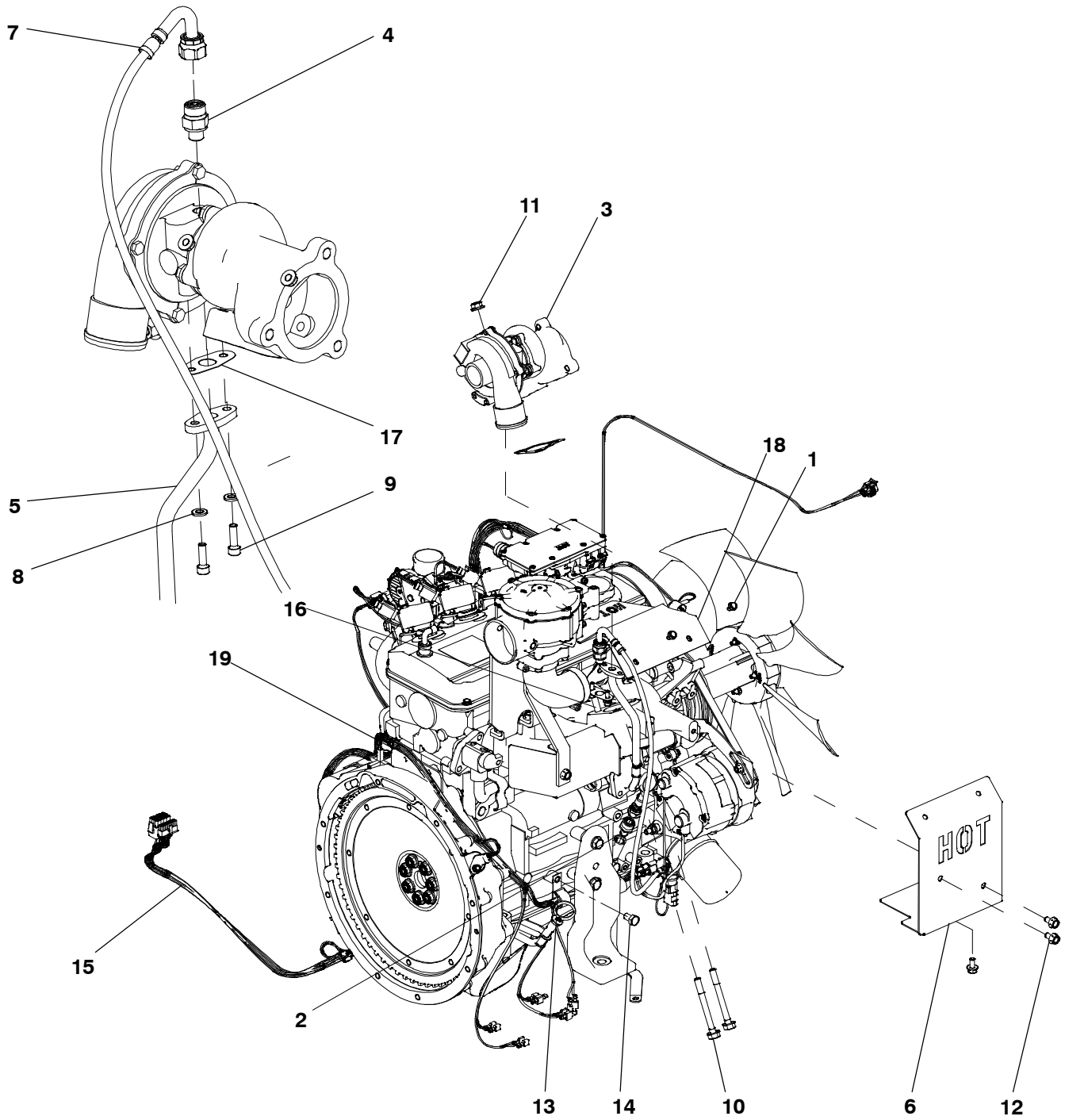
C45 N6H, C50 N6H (Illustration #5)



Item	Part No.	Description	Qty
1	A044V727	Coil, Ignition	4
2	A044Z748	Bracket, Engine	2
3	0332-2634	Clamp, J	6
4	0821-2032	Screw, Hex Flange Head	4
5	0815-0586	Screw, Hex Head	5
6	0800-2038	Screw, Hex Head	4

This page is Intentionally blank.

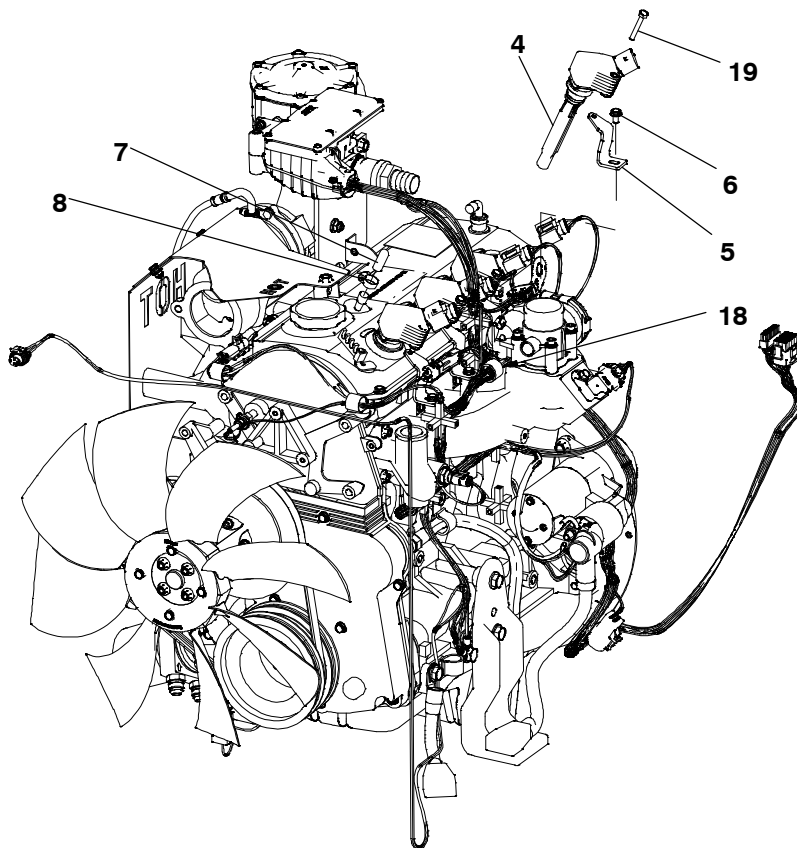
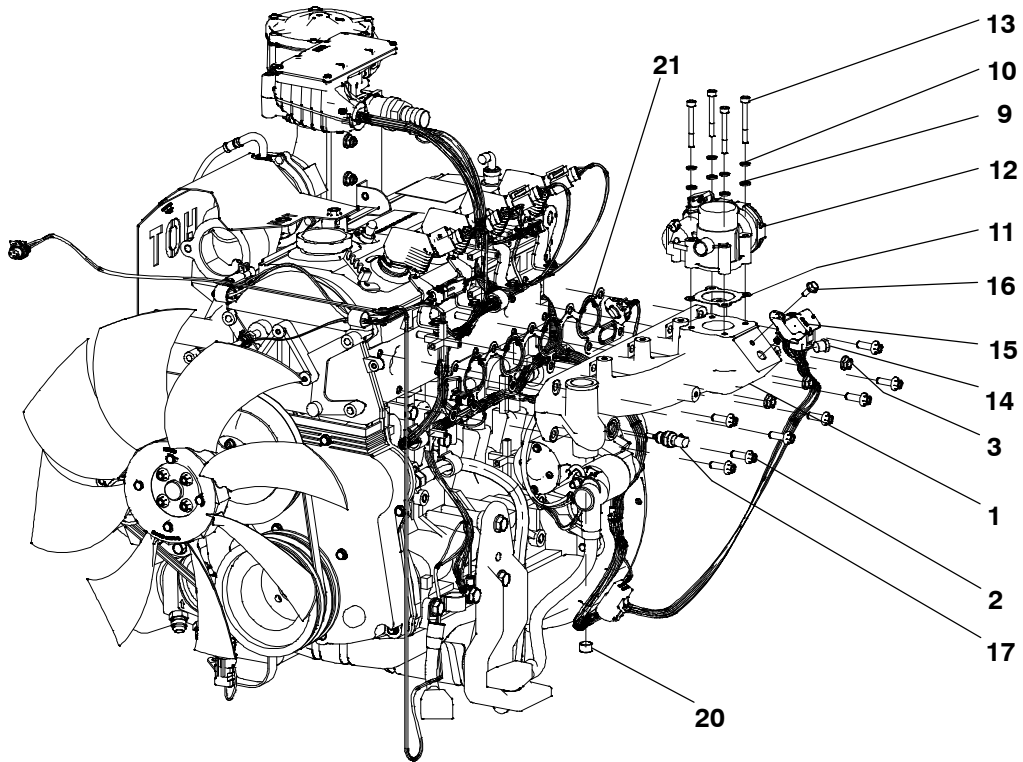
Engine Accessories C60 N6H (Illustration #1)



Engine Accessories
C60 N6H (Illustration #1)

Item	Part No.	Description	Qty
1	0821-2032	Screw, Hex Flange Head	6
2	A048A860	Fitting, Connector	1
3	A042R490	Turbocharger	1
	A042Z234	Gasket, Turbine Housing Outlet	A/R
	A043D567	Gasket, Oil Outlet	A/R
4	A041M126	Adapter, Hose	1
5	A042R703	Tube, Oil	1
6	A042S947	Shield, Heat	1
7	A042T054	Hose, Flexible	1
8	0526-2080	Washer, Flat	2
9	0725-1028	Screw, Socket Head	2
10	A043A816	Screw, Hex Flange Head	2
11	0870-2065-04	Nut, Hex	1
12	0800-6524-01	Screw, Hex Flange Head	7
13	0332-2634	Clamp, J	6
14	0815-0586	Screw, Hex Head	5
15	A042Y601	Harness, Generator Electrical	1
16	A043B616	Stud, Threaded	1
17	A045E099	Gasket	1
18	A049T314	Shield, Heat	1
19	0332-1794	Tie, Cable	2

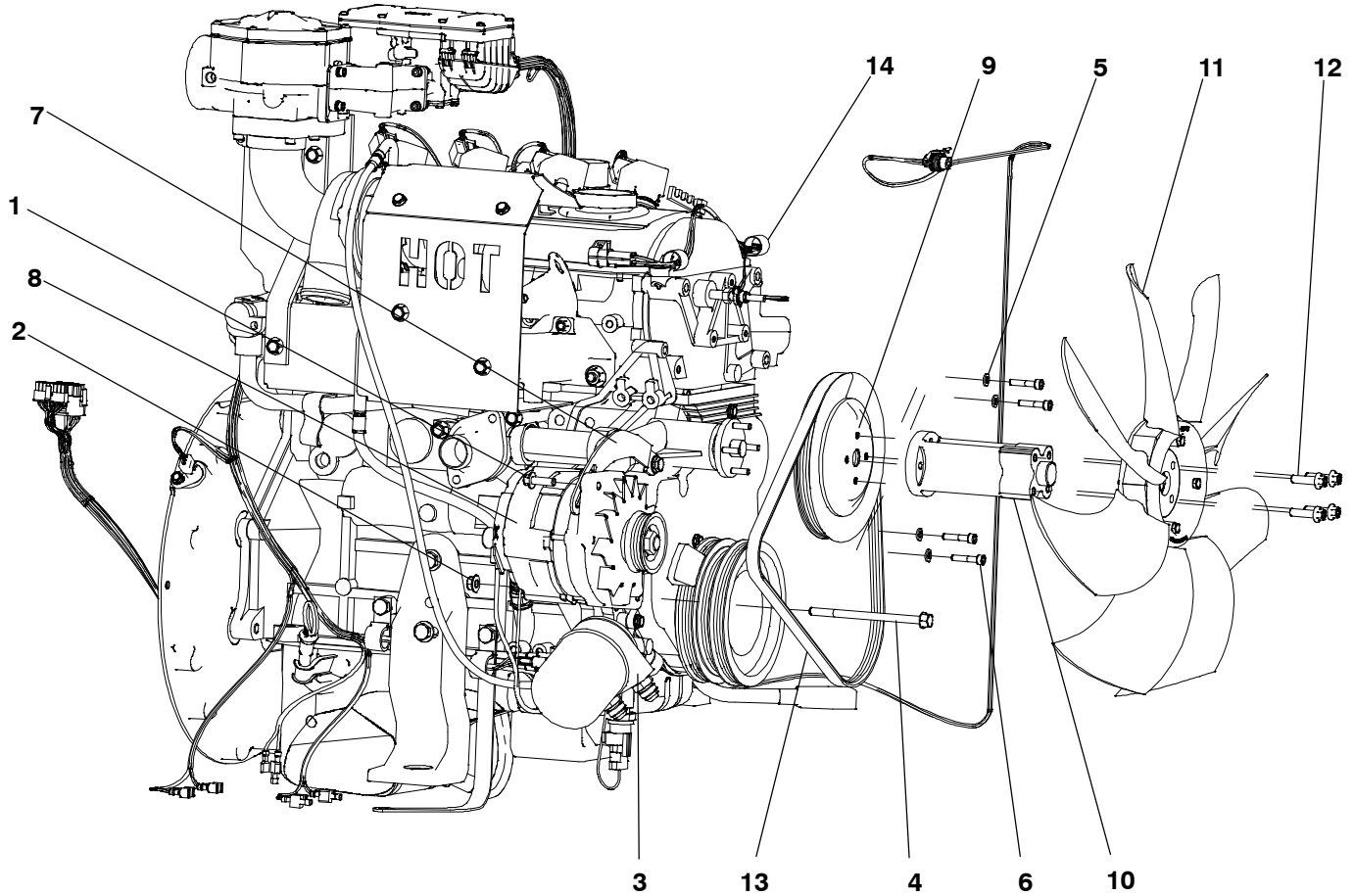
Engine Accessories C60 N6H (Illustration #2)



Engine Accessories
C60 N6H (Illustration #2)

Item	Part No.	Description	Qty
1	A042V490	Manifold, Intake	1
2	A029H218	Screw, Hex Flange Head	9
3	0870-2065-03	Nut, Hex Flange	6
4	A044V727	Coil, Ignition	4
5	A044Z748	Bracket, Engine	4
6	0821-2032	Screw, Hex Flange Head	6
7	A041E777	Plug, Cap	1
8	0503-0685	Clamp	1
9	0526-0399-58	Washer, Flat	12
10	0850-0114-53	Washer, Lock	8
11	A041E161	Gasket	1
12	A041E163	Body, Throttle	1
13	A043W097	Screw, Socket Head	4
14	0502-0153	Plug, Hex Pipe	1
15	A044B224	Sensor, Pressure	1
16	0800-6375-01	Screw, Hex Flange Head	1
17	A041J068	Sensor, Temperature	1
18	0332-2634	Clamp, J	6
19	0800-2038	Screw, Hex Head	4
20	A047M766	Plug, Pipe	1
21	A043D271	Gasket, Inlet Manifold	1

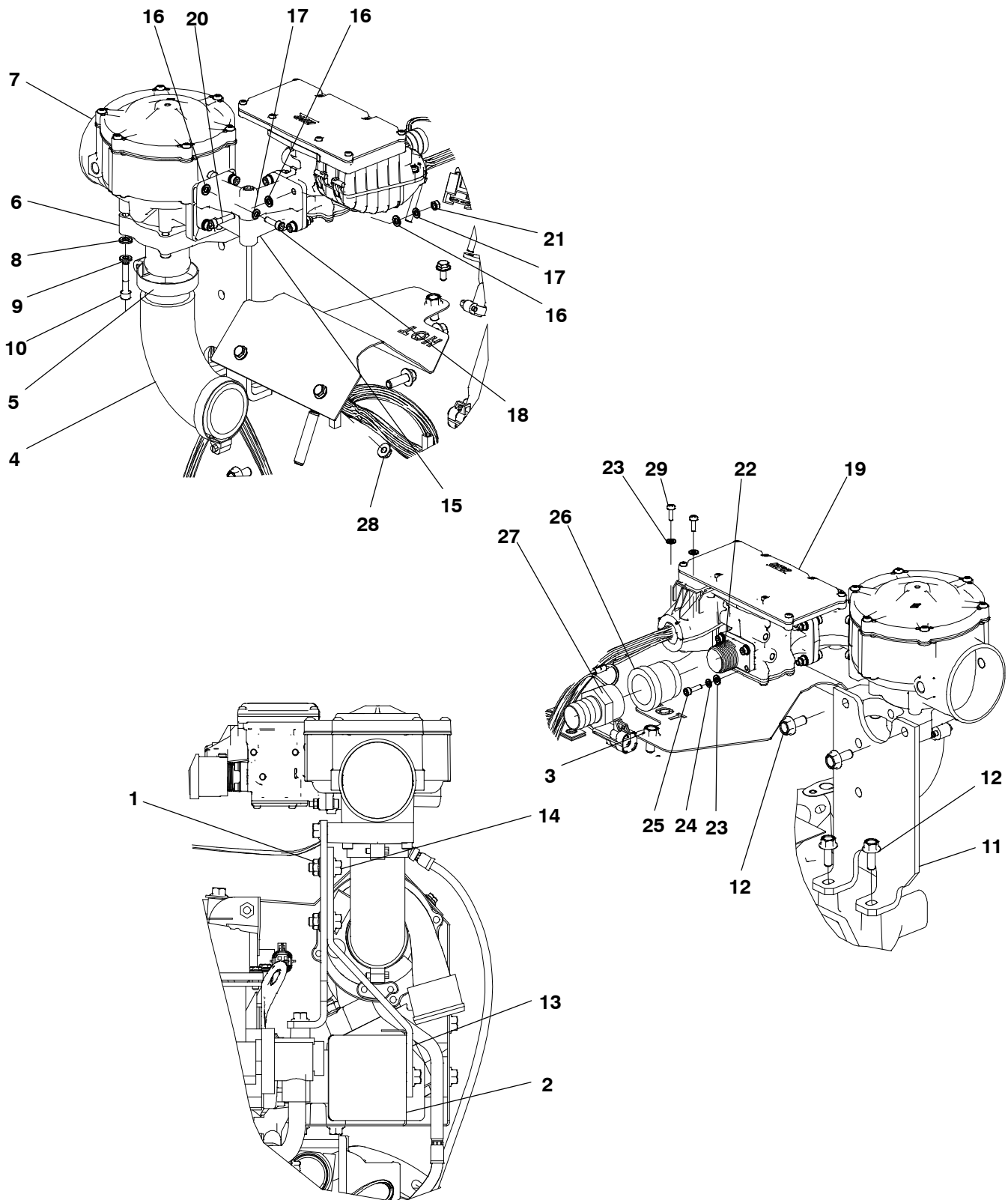
Engine Accessories
C60 N6H (Illustration #3)



Item	Part No.	Description	Qty
1	A029H218	Screw, Hex Flange Head	9
2	0870-2065-03	Nut, Hex Flange	6
3	A041K639	Adapter, Oil Cooler	1
4	A041D103	Screw, Hex Flange Head	1
5	0526-0399-58	Washer, Flat	12
6	A043W095	Screw, Socket Head	8
7	A040M489	Bracket, Alternator Adjust	1
8	A040M101	Alternator, Battery Charge	1
9	A043Y668	Pulley, Fan	1
10	A043Y379	Spacer, Fan	1
11	A043X197	Fan, Radiator	1
12	A029S742	Screw, Hex Flange Head	4
13	A044N208	Belt, Alternator	1
14	0518-0548-22	Clamp	2

This page is Intentionally blank.

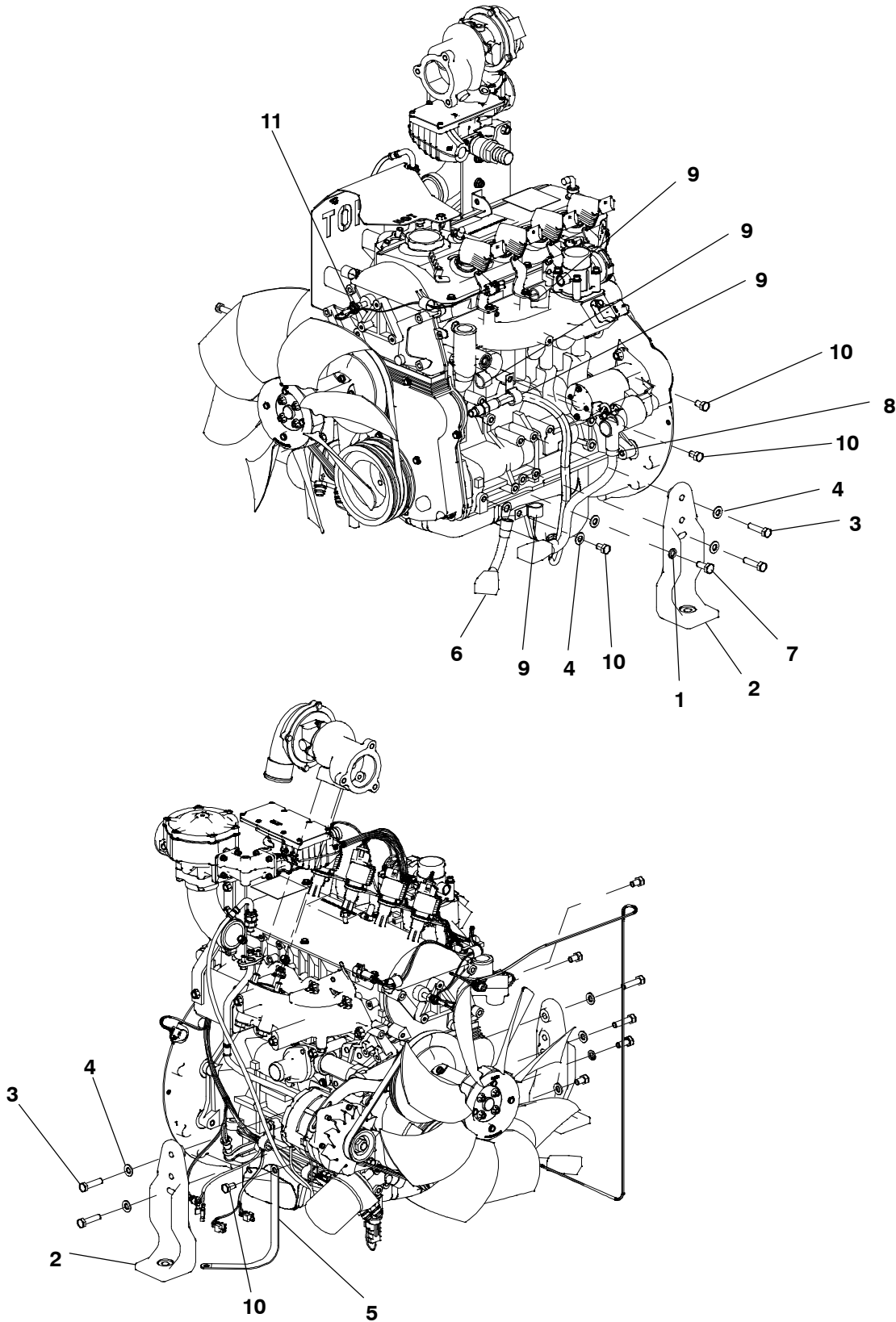
Engine Accessories C60 N6H (Illustration #4)



Engine Accessories
C60 N6H (Illustration #4)

Item	Part No.	Description	Qty
1	0870-2065-03	Nut, Hex Flange	6
2	A043Y505	Shield, Heat	1
3	0800-6524-01	Screw, Hex Flange Head	7
4	A041M082	Screw, Hex Flange Head	1
5	0503-1140	Clamp	2
6	A041M052	Adapter, Hose	1
7	A041M304	Mixer	1
8	0526-0399-58	Washer, Flat	12
9	0850-0114-53	Washer, Lock	8
10	A043W095	Screw, Socket Head	8
11	A042T799	Bracket, Fuel System	1
12	0800-6524-02	Screw, Hex Flange Head	4
13	A042W988	Bracket, Support	1
14	0800-6524-03	Screw, Hex Flange Head	2
15	A043T127	Adapter	1
16	0526-0399-56	Washer, Flat	12
17	0850-0114-52	Washer, Lock	8
18	A043W091	Screw, Socket Head	4
19	A043M347	Regulator, Pressure (Includes ECM)	1
20	A043W092	Screw, Socket Head	4
21	0862-0026-53	Nut, Hex	4
22	A043J544	Adapter	1
23	0526-0399-54	Washer, Flat	6
24	0850-0114-51	Washer, Lock	4
25	A043W090	Screw, Socket Head	4
26	0505-0141	Reducer, Coupling	1
27	0502-1110	Fitting, Hose Connector	1
28	0870-2065-02	Nut, Hex Flange	2
29	0815-0792-04	Screw, Pan Head	2

Engine Accessories C60 N6H (Illustration #5)



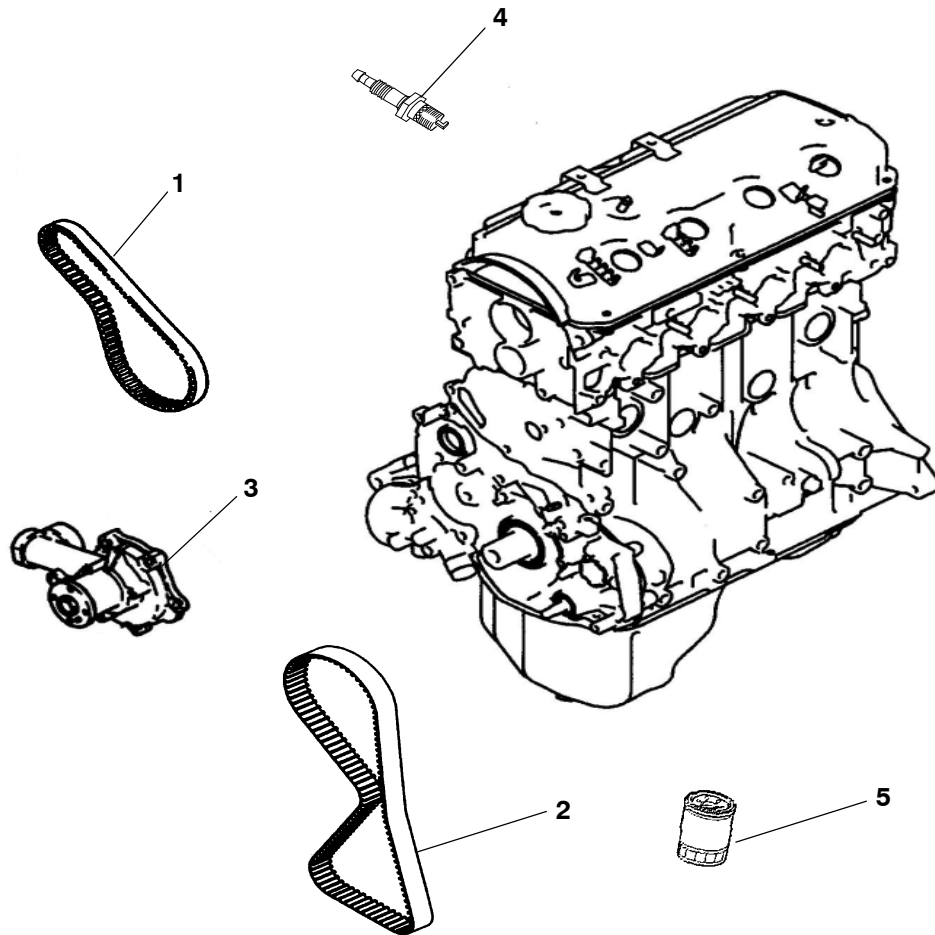
Engine Accessories

C60 N6H (Illustration #5)

Item	Part No.	Description	Qty
1	0800-6375-01	Screw, Hex Flange Head	1
2	A042S971	Support, Engine	2
3	0800-3006	Screw, Hex Head	4
4	0526-2132	Washer, Flat	6
5	A042R110	Strap, Electrical	1
6	A043V162	Lead, Battery (Includes A043U981 Terminal Cover)	1
7	0815-0600	Screw, Hex Head	1
8	A043V133	Lead, Battery (Includes A043U979 Terminal Cover)	1
9	0332-2634	Clamp, J	6
10	0815-0586	Screw, Hex Head	5
11	0332-1794	Tie, Cable	2

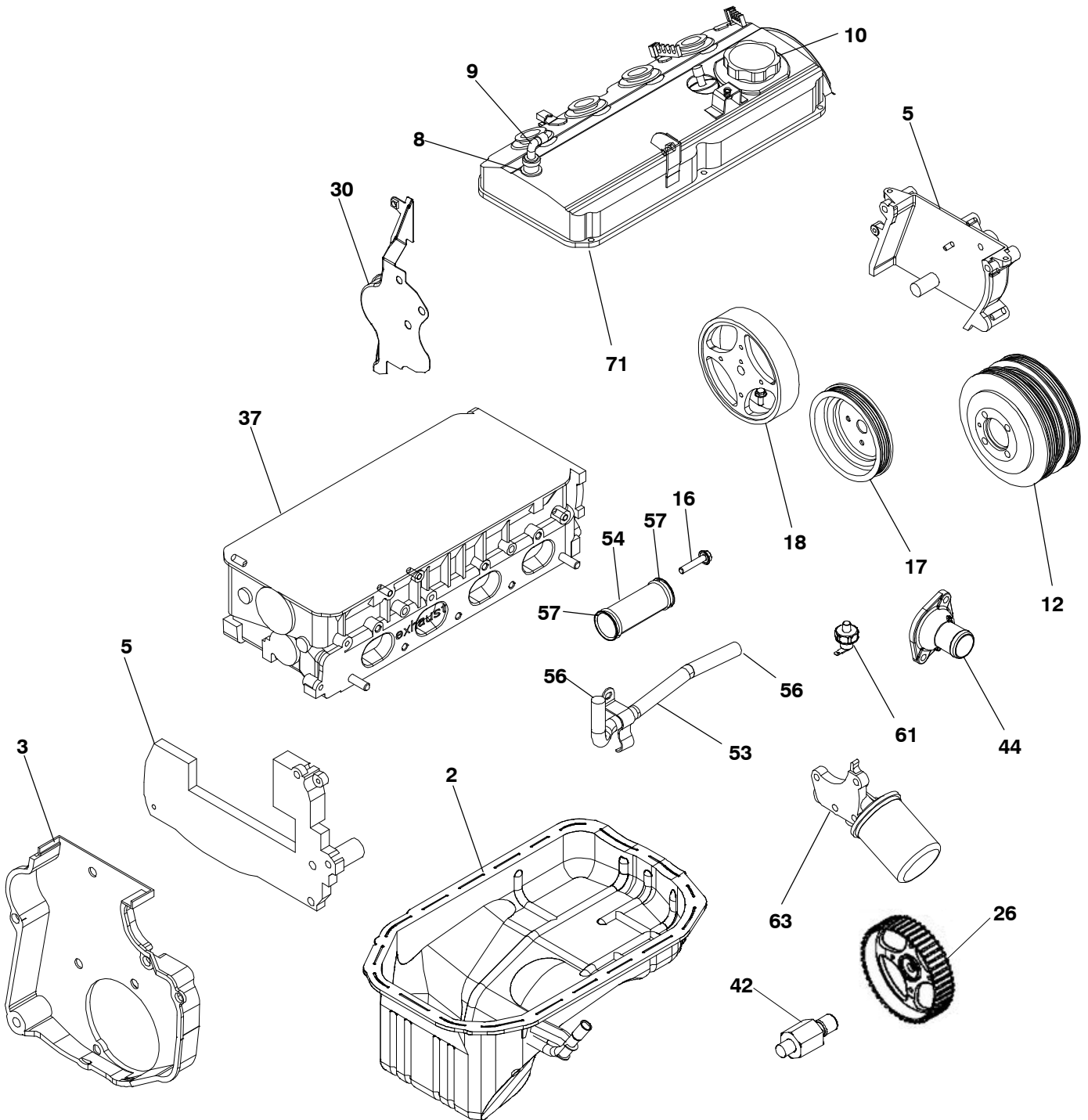
This page is Intentionally blank.

Engine Service Parts



Item	Part No.	Description	Qty
1	A044H696	Belt, Timing 'B'	1
2	A044H716	Belt, Timing	1
3	A044H791	Pump, Water	1
4	A044H806	Plug, Spark	4
5	A044J056	Filter, Oil	1
		Continued...	

Engine Service Parts (Continued)



Engine Service Parts (Continued)

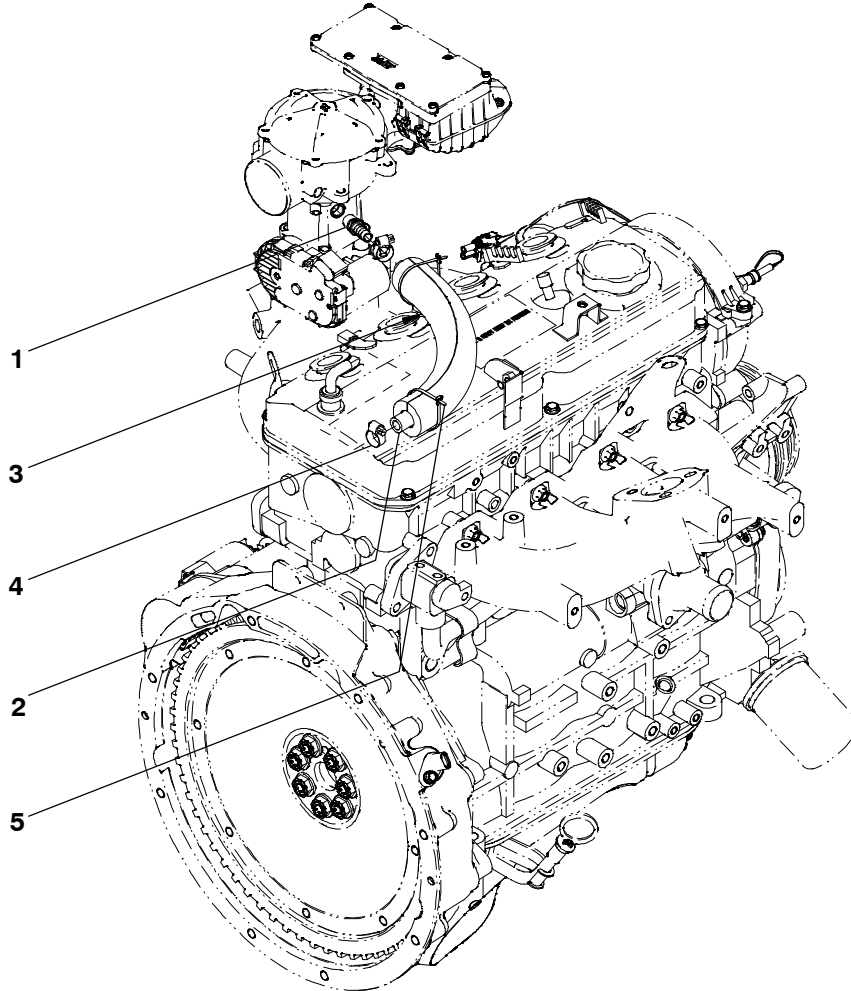
Item	Part No.	Description	Qty
1	A044H387	Plug, Taper	1
2	A044H389	Pan, Oil (NOTE: RTV or Gasket Sealant Will be Needed When Replacing the Oil Pan)	1
3	A044H391	Cover Assy, T/Belt – Front Lower	1
4	A044H396	Plug, Rubber	1
5	A044H398	Cover Assy, T/Belt – Rear	1
6	A044H404	Seal, Camshaft	1
7	A044H408	Bolt, Assembled – Cylinder Head	10
8	A044H415	Gasket, PCV Valve	1
9	A044H417	Valve, PCV	1
10	A044H422	Cap, Oil Fill	1
11	A044H425	Key, Crankshaft	1
12	A044H433	Pulley, Torsional	1
13	A044H626	Bolt, Cranksprocket	1
14	A044H628	Washer, Special	1
15	A044H638	Bolt, Washer Assembled (M8 x 25)	4
16	A044H643	Bolt, Flange	1
17	A044H645	Sprocket, Crankshaft “B”	1
18	A044H647	Sprocket, Counter Balance Shaft	1
19	A044H652	Bearing, Crankshaft	1
20	A044H657	Spacer	1
21	A044H699	Tensioner Assy, Timing Belt “B”	1
22	A044H701	Washer	1
23	A044H703	Bolt, Washer Assembled (M8 x 45)	1
24	A044H705	Bolt, Seal	1
25	A044H708	Bracket, Timing Indicator	1
26	A044H710	Sprocket, Camshaft	1
27	A044H712	Sprocket, Crankshaft	1
28	A044H714	Sprocket, Oil Pump	1
29	A044H718	Bolt, Flange	1
30	A044H720	Bracket Assy, Tensioner Pulley	1
31	A044H723	Pulley, Tensioner	1
32	A044H744	Bolt, Flange	2
33	A044H750	Tensioner, Auto	1
34	A044H752	Fitting, Water Outlet	1
35	A044H759	Fitting, Water Inlet	1
36	A044H766	Fitting, Water Bypass	1
37	A044H768	Gasket Kit, Cylinder Head	1
38	A044H797	Bolt, Washer Assembled (M10 x 25)	1
39	A044H799	Plug, Taper	1
40	A044H801	Bolt, Washer Assembled (M8 x 40)	2
41	A044H805	Bolt, Washer Assembled (M8 x 55)	1
42	A045W735	Pin	1
		Continued...	

Engine Service Parts (Continued)

Item	Part No.	Description	Qty
43	A044H819	Bolt, Washer Assembled (M8 x 75)	1
44	A044H823	Housing Assy, Thermostat	1
45	A044H832	Bolt, Flywheel (7)	1
46	A044H835	Thermostat and Gasket	1
47	A044H837	Sprocket	1
48	A044H841	Gasket, Oil Screen	1
49	A044J009	Gasket, Water Pump	1
50	A044J011	Bolt, Flange (M8 x 65)	1
51	A044J014	Bolt, Flange (M8 x 40)	1
52	A044J018	Bolt, Flange (M8 x 90)	1
53	A044J020	Pipe Assy, Water	1
54	A044J027	Pipe, Water Outlet	1
55	A044J042	Washer, Spring	4
56	A044J044	O'Ring, Water Pipe	2
57	A044J046	O'Ring, Water Pipe	2
58	A044J048	Belt, V-Ribbed	1
59	A044J050	O'Ring, Oil Pump	1
60	A044J053	Plug, Cap	1
61	A044J074	Switch, Oil Pressure	1
62	A044J077	Screen Assy, Oil	1
63	A044J085	Bracket Assy, Oil Filter	1
64	A044J089	Gasket, Oil Pump Case – Front	1
65	A044J101	Bolt, Washer Assembled (M8 x 22)	1
66	A044J108	Bracket Assy, Ignition Coil	1
67	A044J111	Pulley, Water Pump	1
68	A044J114	Pulley, Water Pump and Alternator	1
69	A044J187	Sensor, Camshaft	1
70	A044J286	Case Assy, Oil Pump	1
71	A046V547	Gasket, Rocker Cover	1

CCV Breather

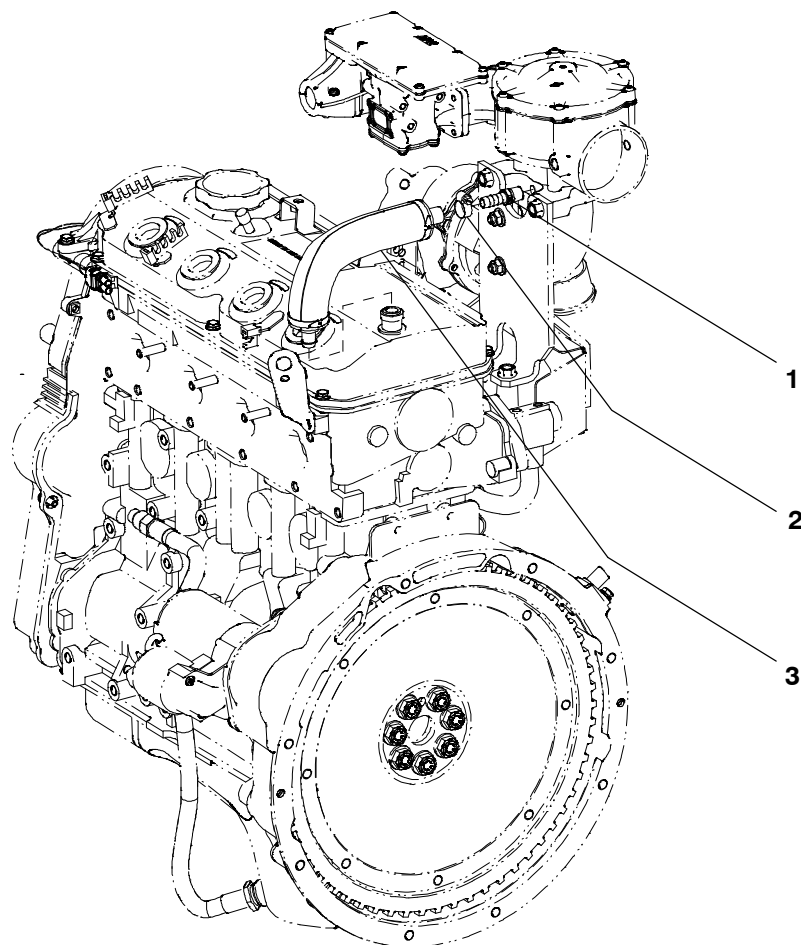
C20 N6, C22 N6, C25 N6, C30 N6H, C36 N6H, C40 N6H, C45 N6H, C50 N6H



Item	Part No.	Description	Qty
1	A034B561	Fitting, Hose Barb	1
2	A045Z586	Hose, Fuel	1
3	A046H969	Insulation, Hose	1
4	0503-0685	Clamp	2
5	0332-1794	Tie, Cable	2

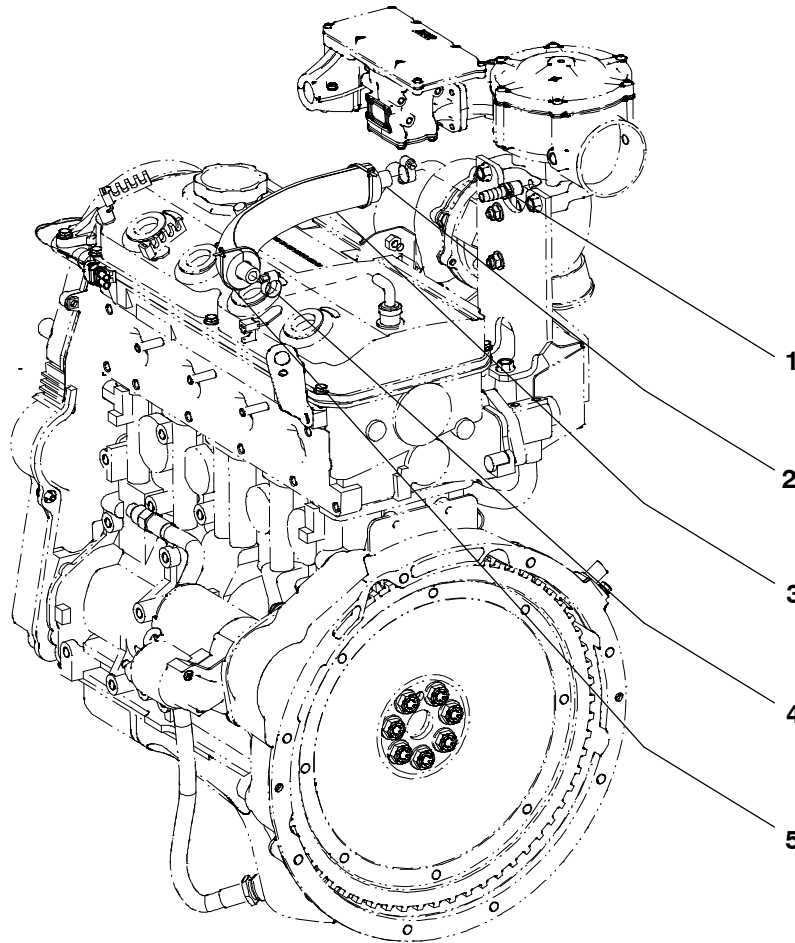
CCV Breather

C30 N6, C36 N6, C40 N6



Item	Part No.	Description	Qty
1	A034B561	Fitting, Hose Barb	1
2	A046X872	Hose, Flexible	1
3	0503-0685	Clamp	1

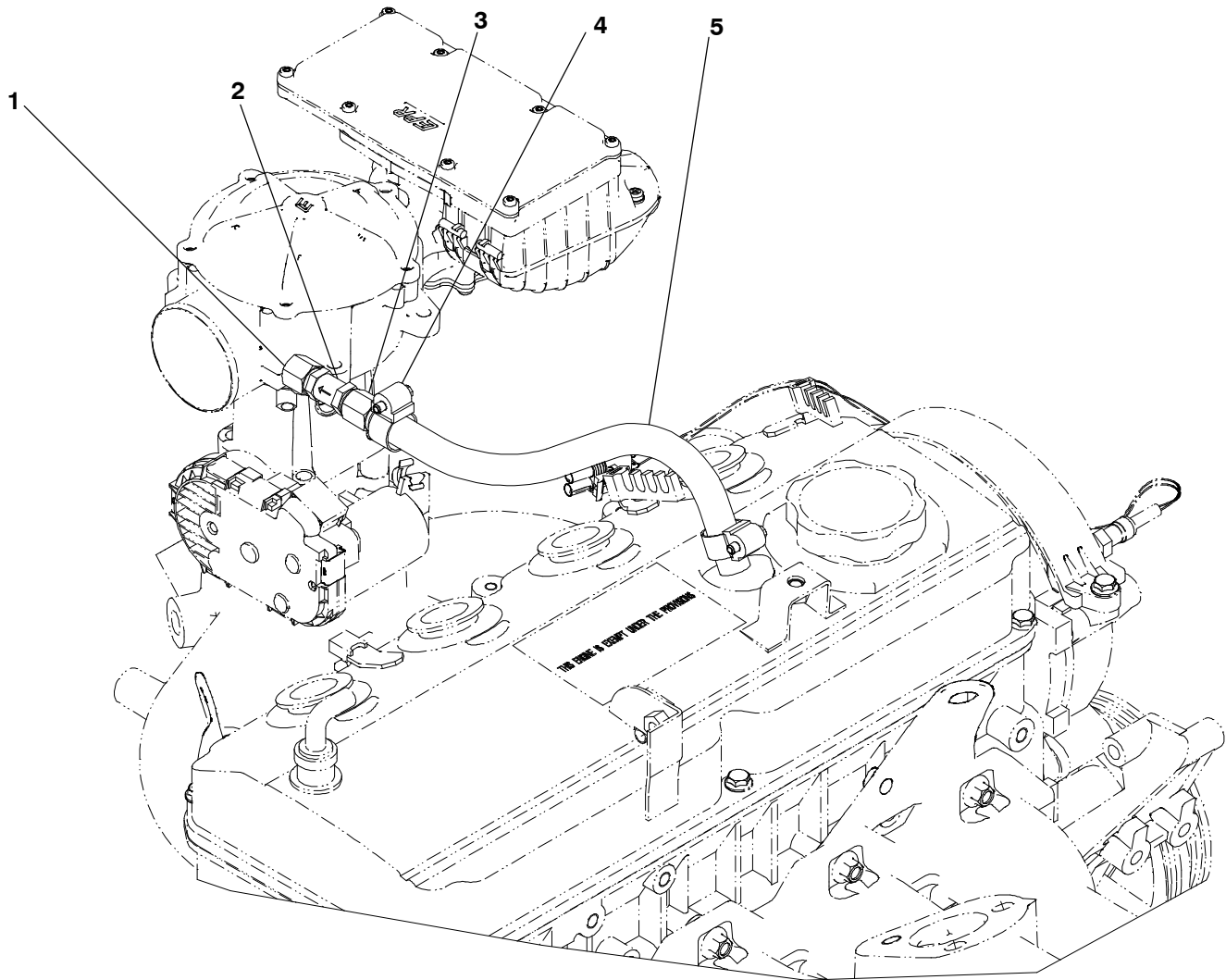
CCV Breather
C60 N6H



Item	Part No.	Description	Qty
1	A034B561	Fitting, Hose Barb	1
2	A045X220	Hose, Fuel	1
3	A046H967	Insulation, Hose	1
4	0503-0685	Clamp	2
5	0332-1794	Tie, Cable	2

Vent

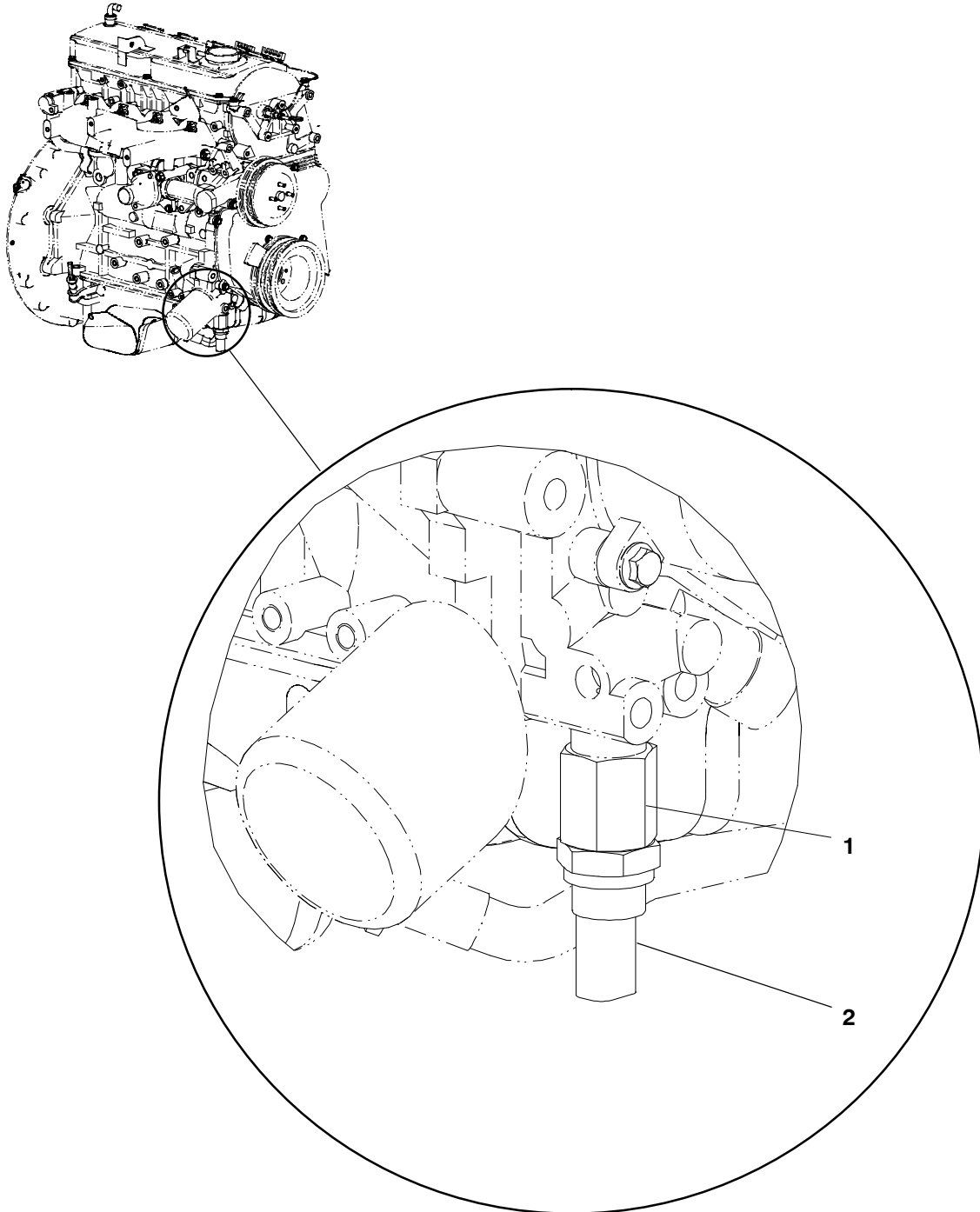
C20 N6, C22 N6, C25 N6, C30 N6H, C36 N6H, C40 N6H, C45 N6H, C50 N6H, C60 N6H



Item	Part No.	Description	Qty
1	A053S698	Fitting, Pipe Adapter	1
2	A040D680	Valve, Check	1
3	A053S696	Fitting, Hose Barb	1
4	0503-1133	Clamp	2
5	A045Z586	Hose, Fuel	1

Engine Pressure Switch

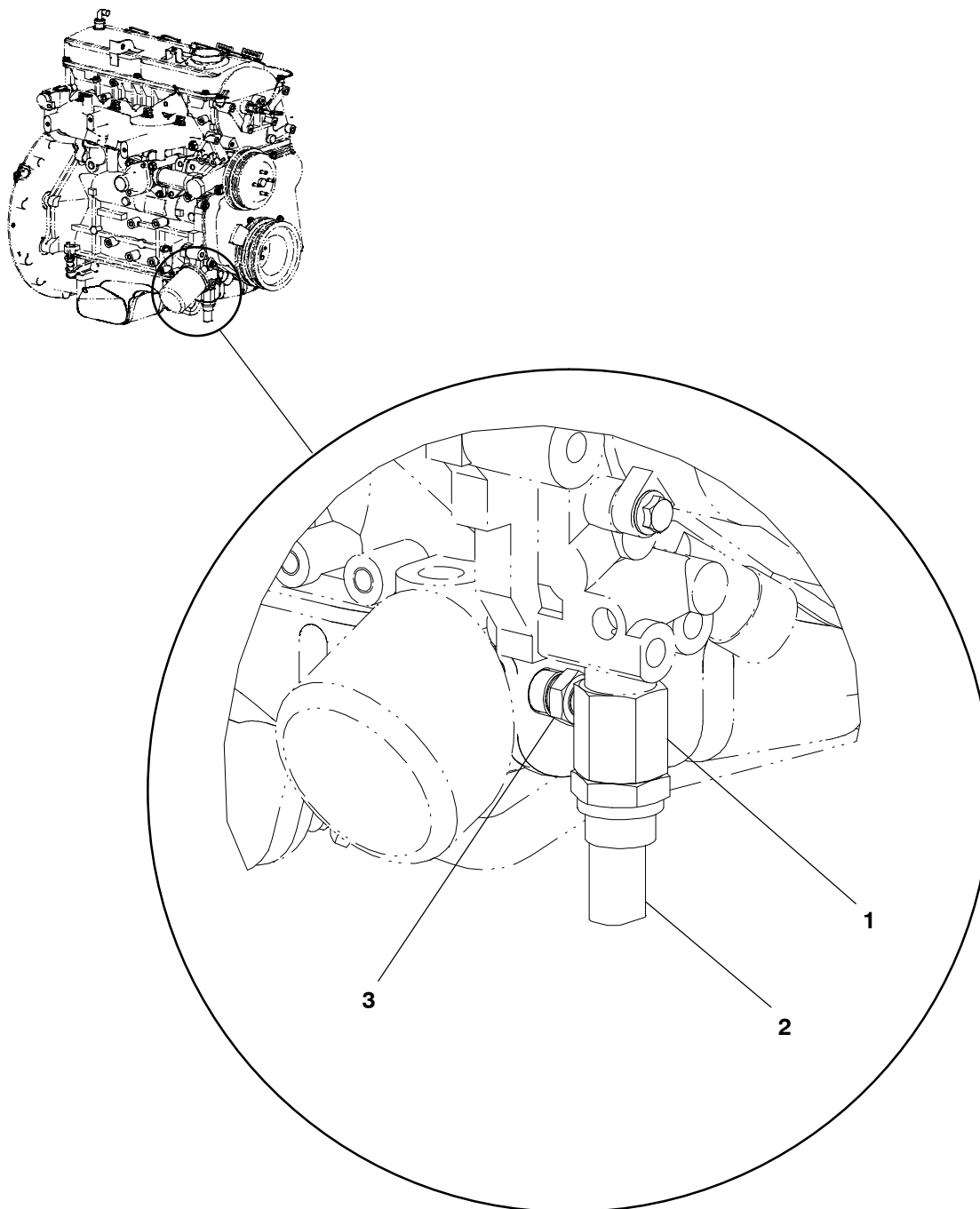
C20 N6, C22 N6, C25 N6, C30 N6H, C36 N6H, C40 N6H, C45 N6H, C50 N6H



Item	Part No.	Description	Qty
1	A041J019	Fitting, Connector	1
2	A041G806	Switch, Pressure	1

Engine Pressure Switch

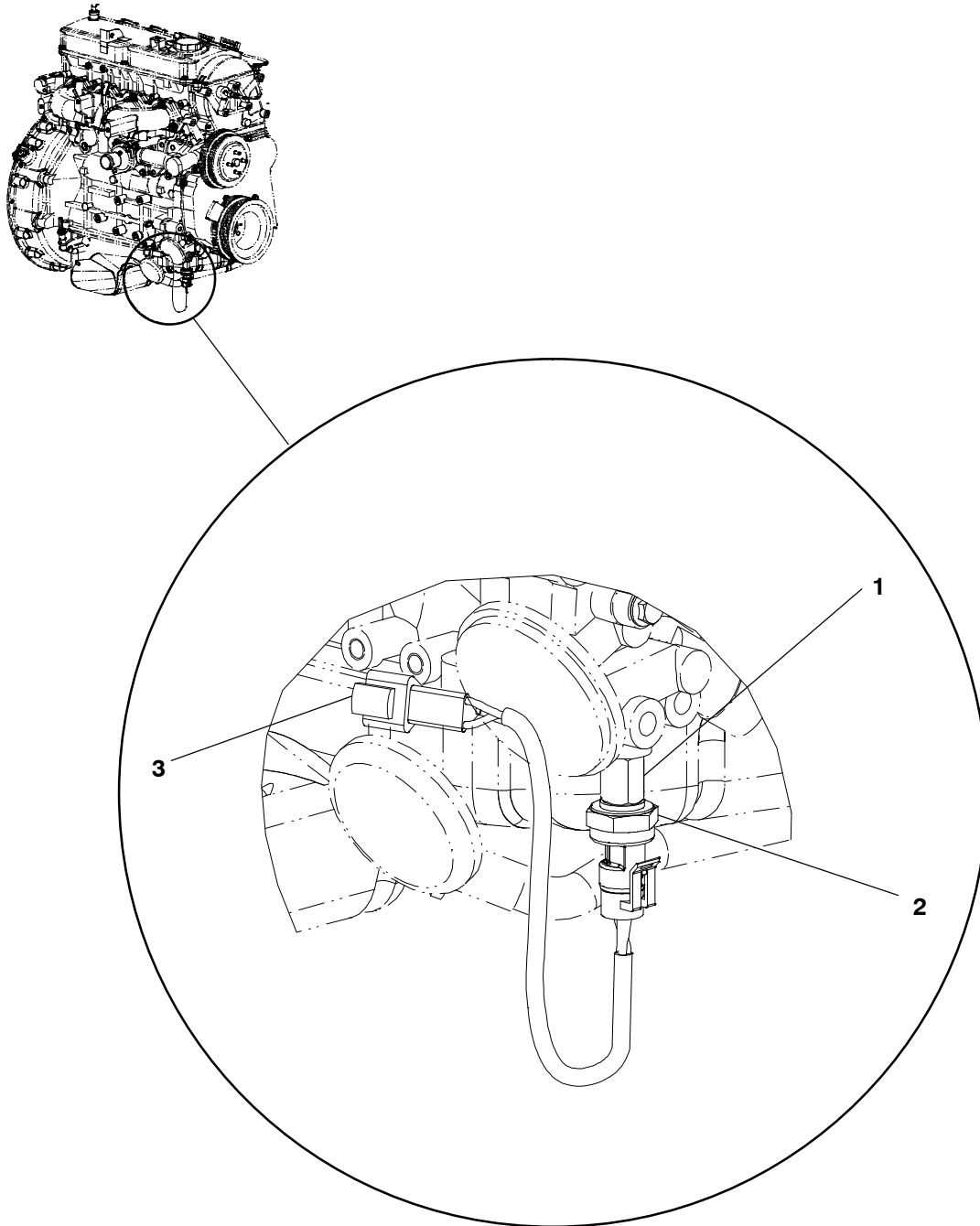
C30 N6, C36 N6, C40 N6, C60 N6H



Item	Part No.	Description	Qty
1	A041J009	Fitting, Connector	1
2	A041G806	Switch, Pressure	1
3	A041M097	Adapter, Hose	1

Engine Pressure Sender

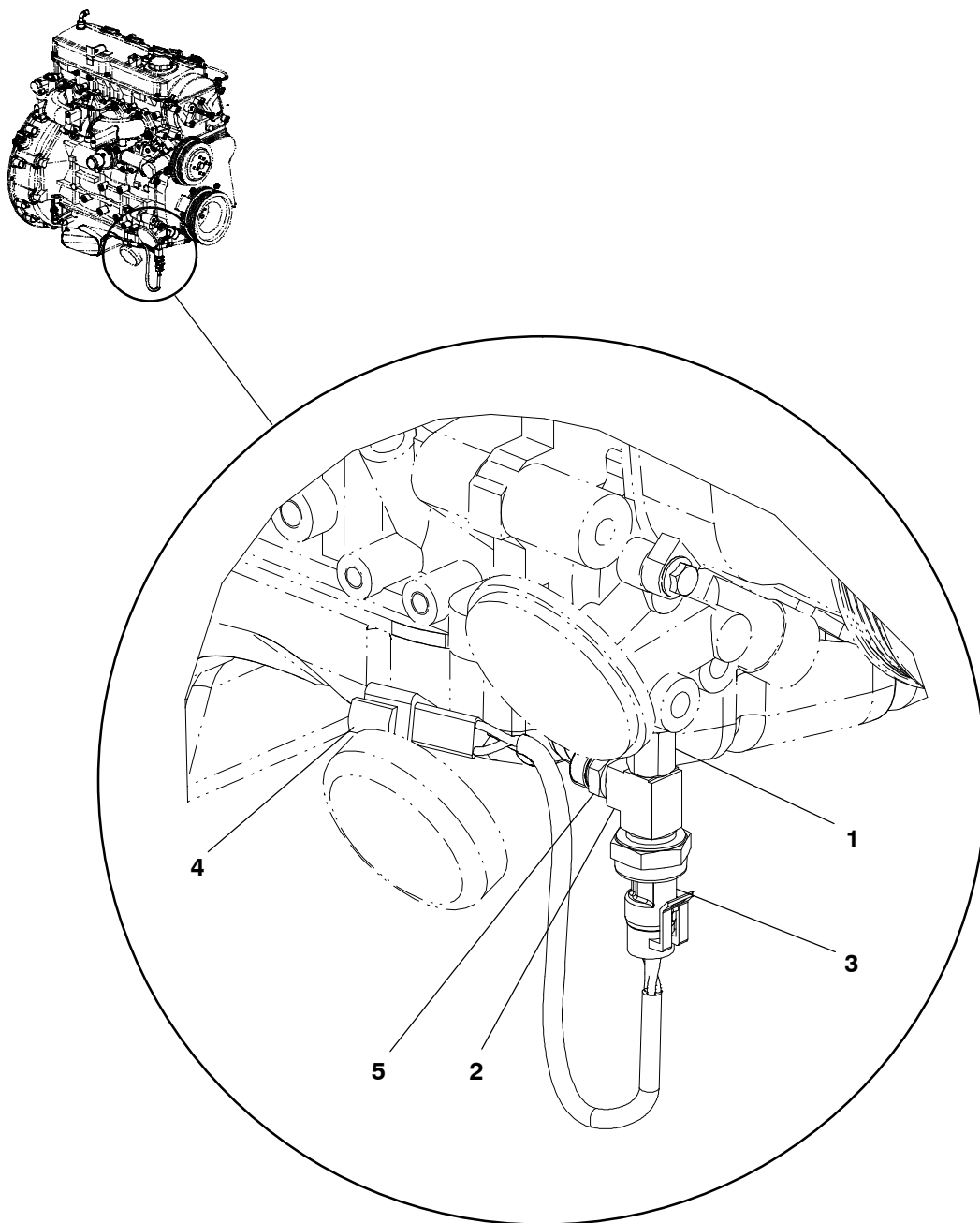
C20 N6, C22 N6, C25 N6, C30 N6H, C36 N6H, C40 N6H, C45 N6H, C50 N6H



Item	Part No.	Description	Qty
1	A026E604	Adapter, Straight	1
2	A028X493	Switch, Pressure	1
3	A044V424	Harness, Sensor	1

Engine Pressure Sender

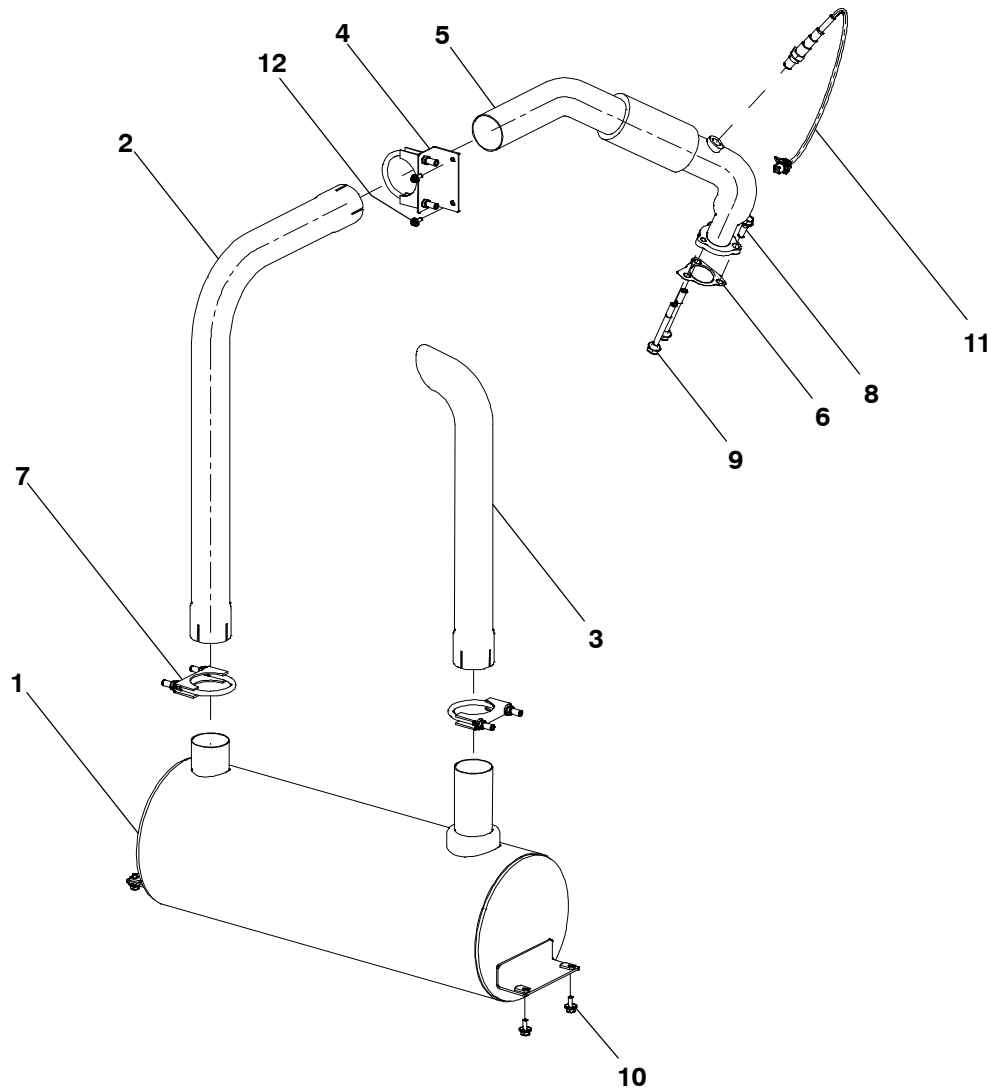
C30 N6, C36 N6, C40 N6, C60 N6H



Item	Part No.	Description	Qty
1	A026E604	Adapter, Straight	1
2	0502-1368	Tee, Pipe Tee	1
3	A028X493	Adapter, Hose	1
4	A044V424	Harness, Sensor	1
5	A041M097	Adapter, Hose	1

Silencer

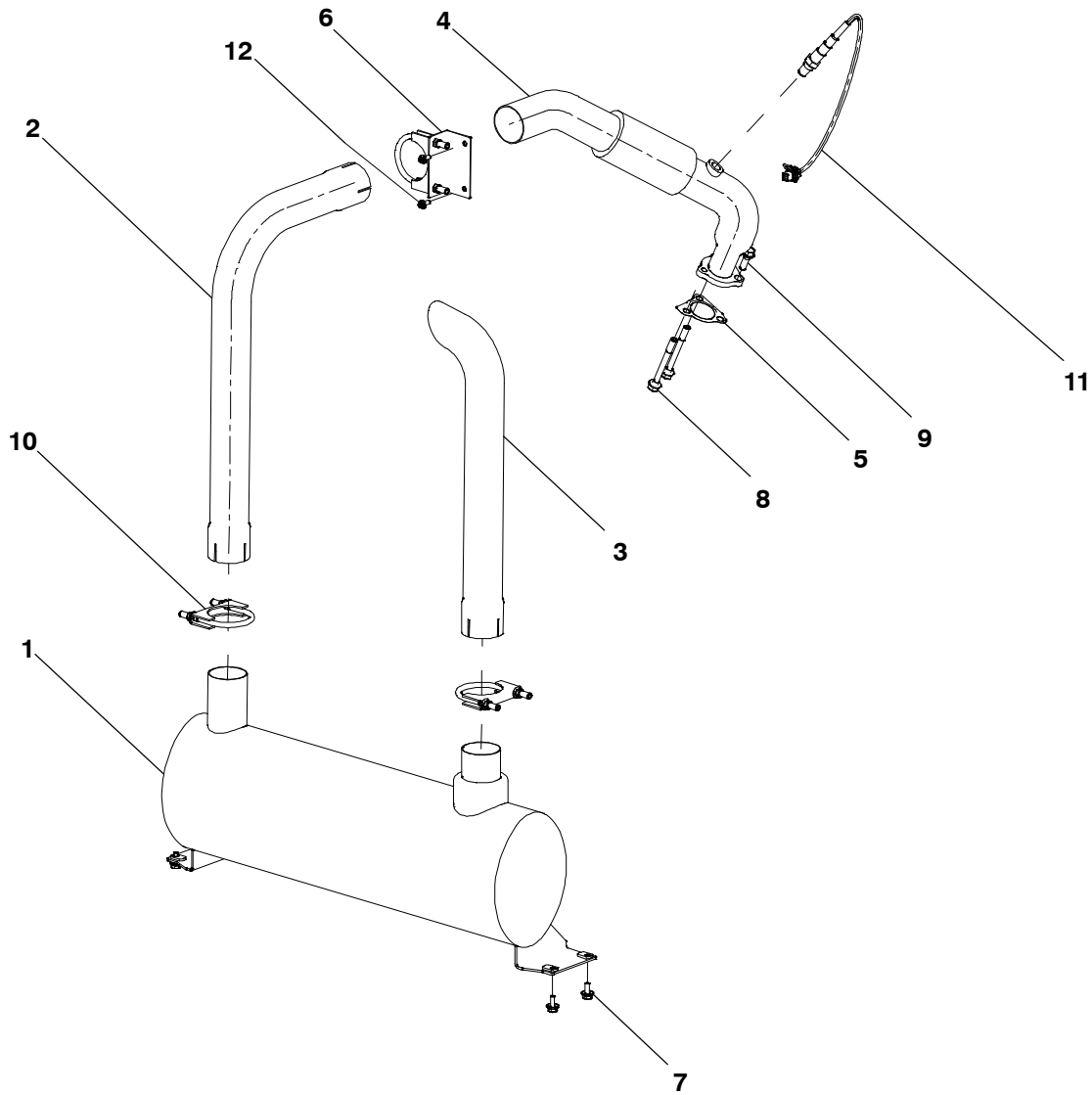
C36 N6H, C40 N6H, C45 N6H, C50 N6H



Item	Part No.	Description	Qty
1	A043T871	Silencer	1
2	A043T880	Pipe, Exhaust	1
3	A043T875	Pipe, Exhaust	1
4	A042X766	Bracket, Exhaust	1
5	A042X430	Pipe, Exhaust	1
6	A042V342	Gasket, Exhaust Manifold	1
7	0155-2080	Clamp	3
8	A042Z039	Screw, Hex Flange Head	1
9	A043A816	Screw, Hex Flange Head	2
10	0821-6003-01	Screw, Hex Head	4
11	A043W344	Sensor, Oxygen	1
12	0815-0857-02	Screw, Hex Head	2

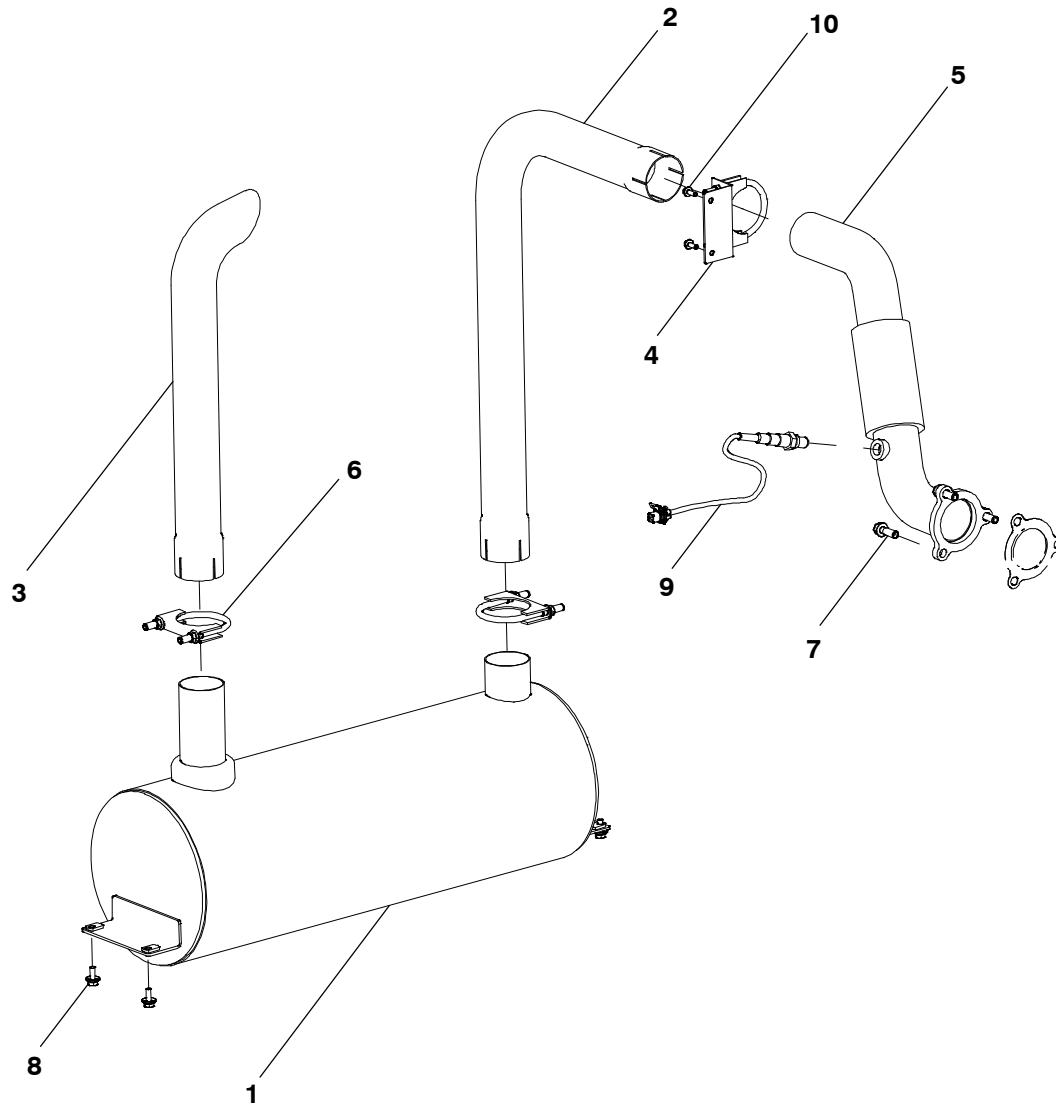
Silencer

C20 N6, C22 N6, C25 N6, C30 N6H



Item	Part No.	Description	Qty
1	A043T869	Silencer	1
2	A043T878	Pipe, Exhaust	1
3	A043T875	Pipe, Exhaust	1
4	A043V972	Pipe, Exhaust	1
5	A042V342	Gasket, Exhaust Manifold	1
6	A042X766	Bracket, Exhaust	1
7	0821-6003-01	Screw, Hex Head	4
8	A043A816	Screw, Hex Flange Head	2
9	A042Z039	Screw, Hex Flange Head	1
10	0155-2080	Clamp	3
11	A043W344	Sensor, Oxygen	1
12	0815-0857-02	Screw, Hex Head	2

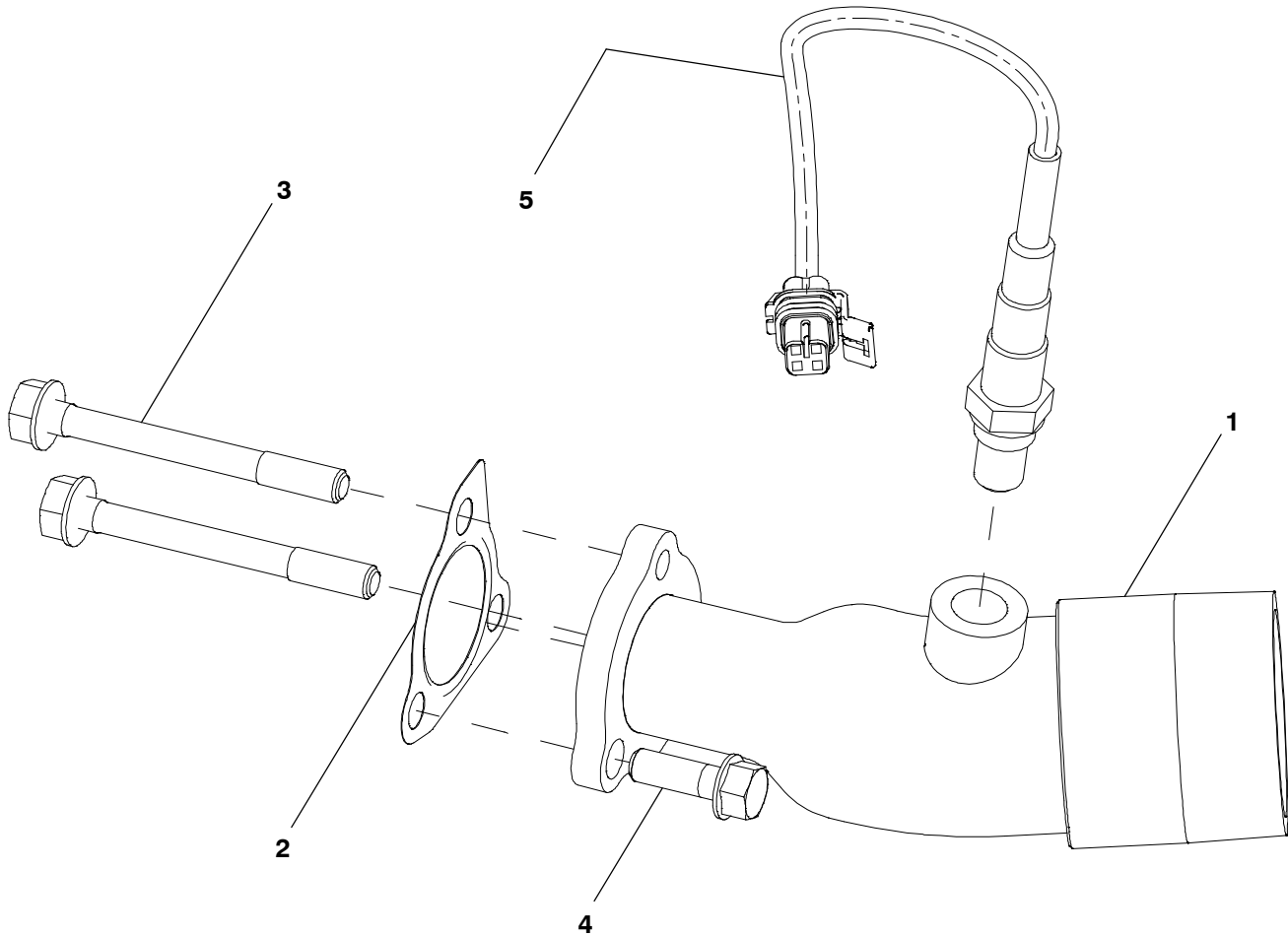
Silencer
C30 N6, C36 N6, C40 N6, C60 N6H



Item	Part No.	Description	Qty
1	A043T871	Silencer	1
2	A043T880	Pipe, Exhaust	1
3	A043T875	Pipe, Exhaust	1
4	A042X766	Bracket, Exhaust	1
5	A042X428	Pipe, Exhaust	1
6	0155-2080	Clamp	3
7	A042Z039	Screw, Hex Flange Head	3
8	0821-6003-01	Screw, Hex Head	4
9	A043W344	Sensor, Oxygen	1
10	0815-0857-02	Screw, Hex Head	2

Exhaust Connection

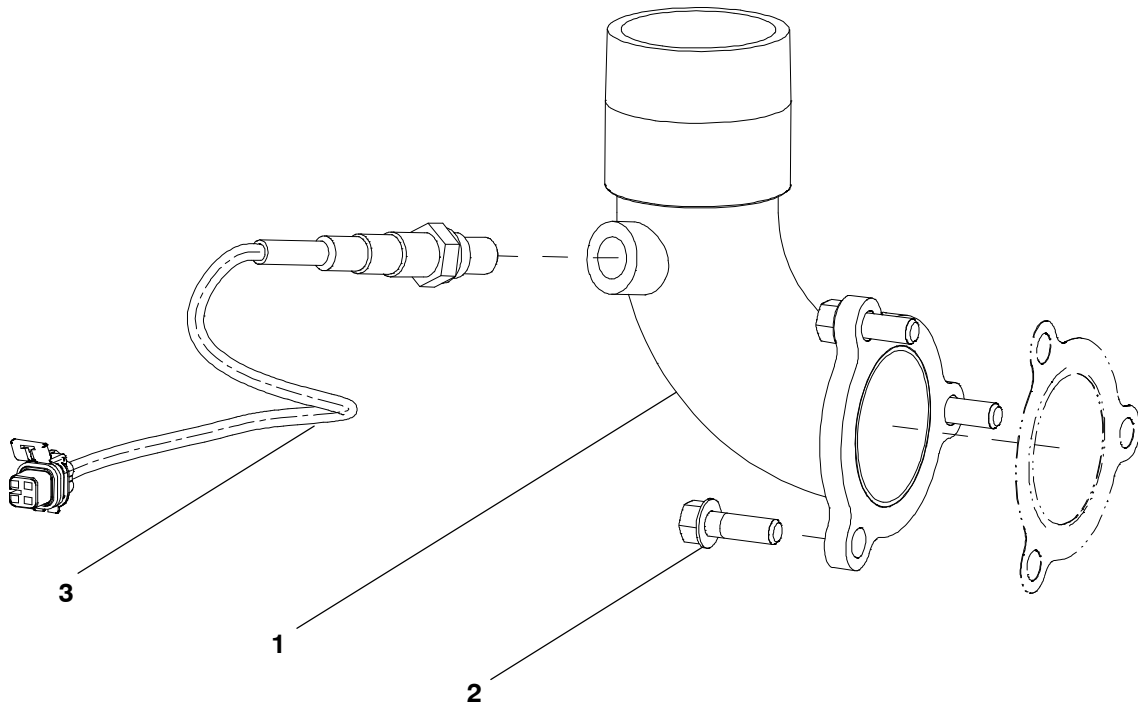
C20 N6, C22 N6, C25 N6, C30 N6H, C36 N6H, C40 N6H, C45 N6H, C50 N6H



Item	Part No.	Description	Qty
1	A042X173	Adapter, Exhaust	1
2	A042V342	Gasket, Exhaust Manifold	1
3	A043A816	Screw, Hex Flange Head	2
4	A042Z039	Screw, Hex Flange Head	1
5	A043W344	Sensor, Oxygen	1

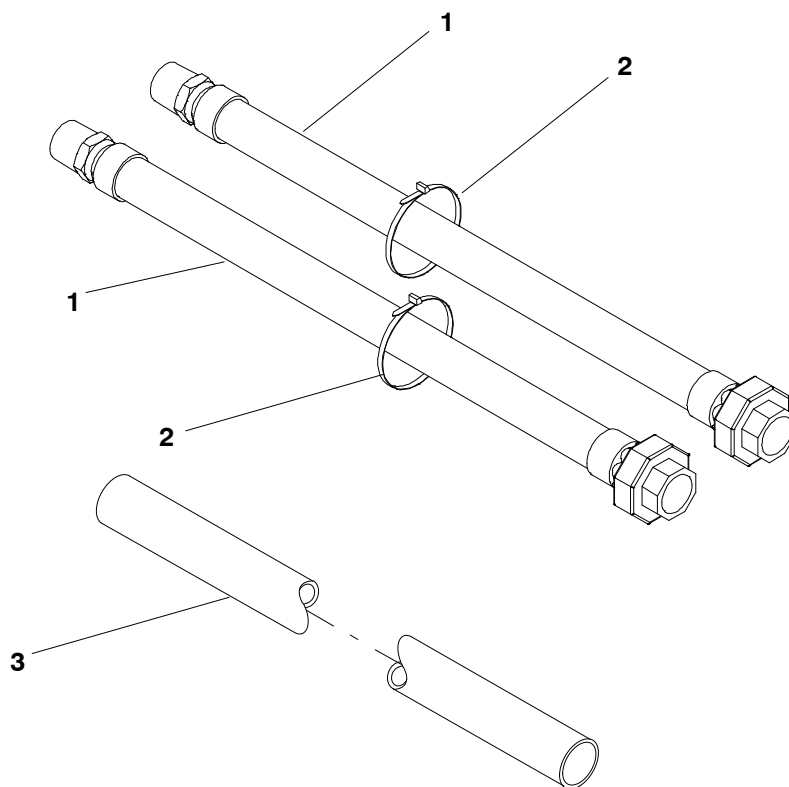
Exhaust Connection

C30 N6, C36 N6, C40 N6, C60 N6H



Item	Part No.	Description	Qty
1	A042X177	Adapter, Exhaust	1
2	A042Z039	Screw, Hex Flange Head	3
3	A043W344	Sensor, Oxygen	1

Fuel Pipes and Hoses



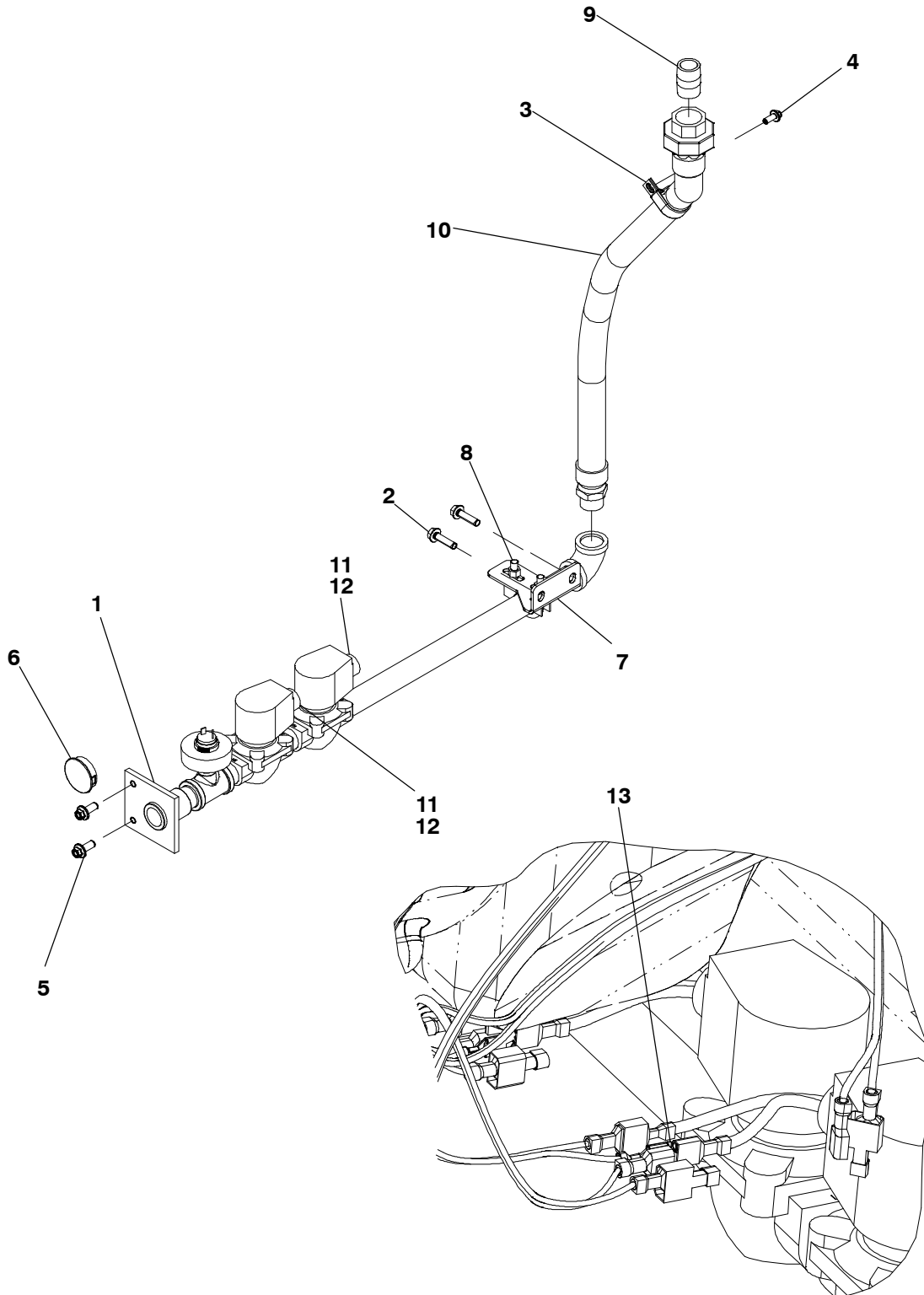
Item	Part No.	Description	Qty
1		Line, Fuel	
	0501-0776-02	C20 N6 – C50 N6H	A/R
	0501-0776-03	C60 N6H	A/R
2	0332-1389	Tie, Cable	A/R
3		Hose, Fuel	
	A041E785	414mm	-
	A041E787	358mm	-

This page is Intentionally blank.

Fuel Supply

Single Fuel NG/LP – Canada

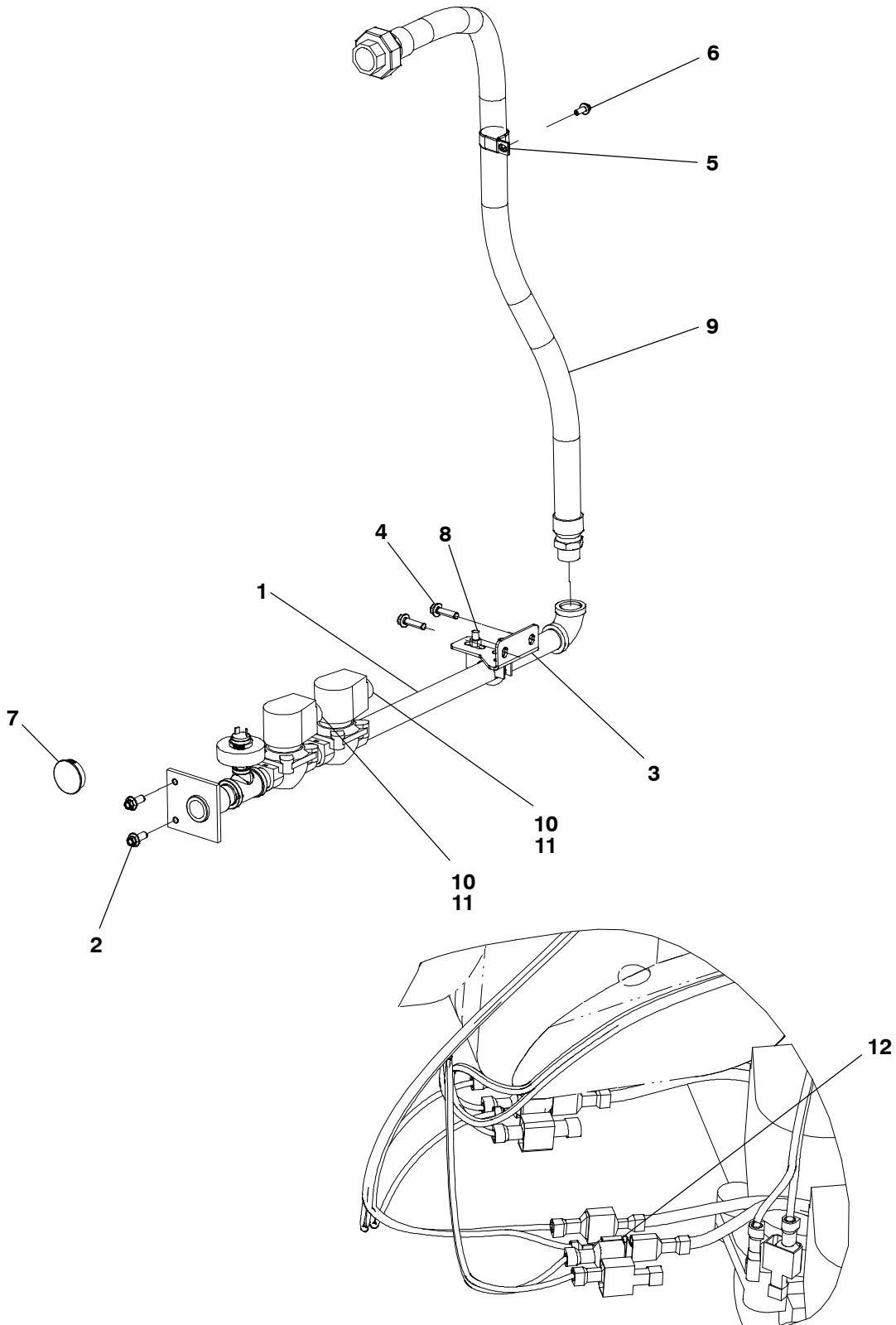
C20 N6, C22 N6, C25 N6, C30 N6H, C36 N6H, C40 N6H, C45 N6H, C50 N6H



Fuel Supply – Single Fuel NG/LP – Canada
C20 N6, C22 N6, C25 N6, C30 N6H, C36 N6H, C40 N6H, C45 N6H, C50 N6H

Item	Part No.	Description	Qty
1	A047S245	Module, Fuel System (See Page 108 for Components)	1
2	0815-0781	Screw, Hollow Head	2
3	0518-0548-60	Clamp	1
4	0518-0857-02	Screw, Hex Head	1
5	0518-0858-02	Screw, Hex Flange Head	2
6	0517-0350	Plug, Hole	1
7	A045J861	Bracket, Fuel System	1
8	0155-1256	Clamp	1
9	0505-2278	Fitting, Nipple	1
10	A048K844	Line, Fuel	1
11	0226-4797-05	Lead	2
12	0226-4797-06	Lead	2
13	A048M371	Blade, Splitter	2

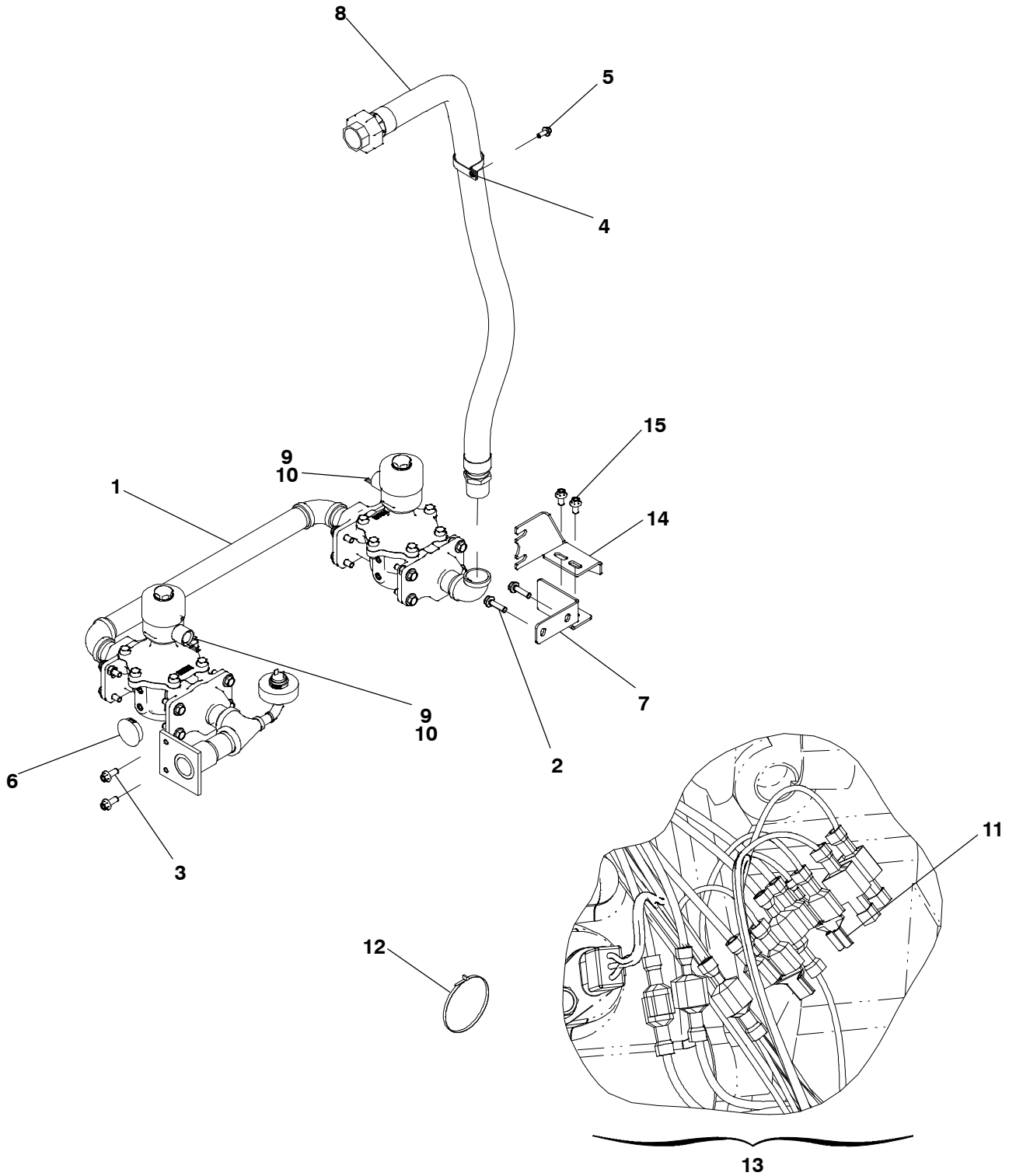
Fuel Supply – Single Fuel NG/LP – Canada C30 N6, C36 N6, C40 N6



Fuel Supply – Single Fuel NG/LP – Canada
C30 N6, C36 N6, C40 N6

Item	Part No.	Description	Qty
1	A047S245	Module, Fuel System (See Page 108 for Components)	1
2	0518-0858-02	Screw, Hex Flange Head	2
3	A045J861	Bracket, Fuel System	1
4	0815-0781	Screw, Hollow Head	2
5	0518-0548-60	Clamp	1
6	0518-0857-02	Screw, Hex Head	1
7	0517-0350	Plug, Hole	1
8	0155-1256	Clamp	1
9	A048K846	Line, Fuel	1
10	0226-4797-05	Lead	2
11	0226-4797-06	Lead	2
12	A048M371	Blade, Splitter	2

Fuel Supply – Single Fuel NG/LP – Canada C60 N6H

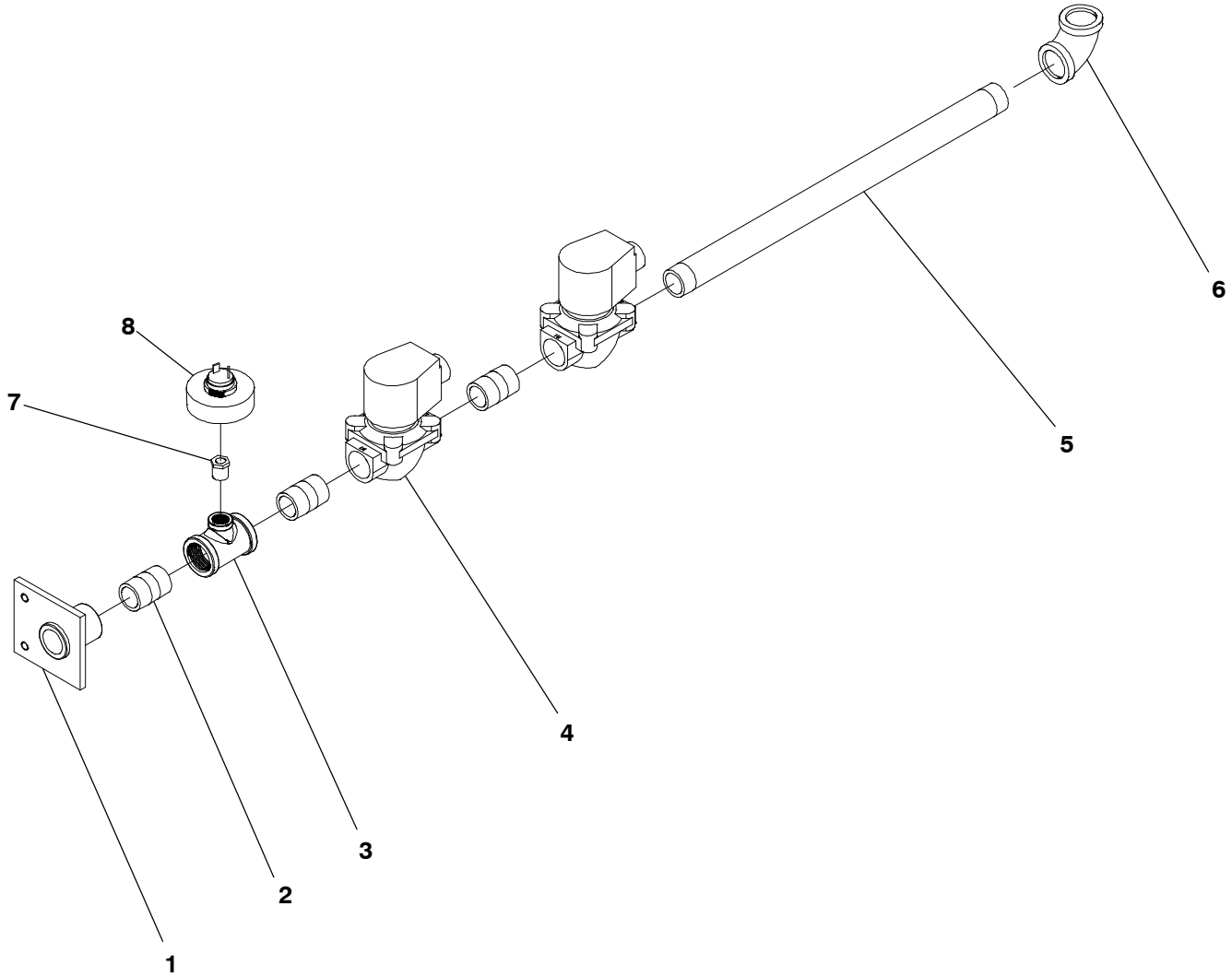


**Fuel Supply – Single Fuel NG/LP – Canada
 C60 N6H**

Item	Part No.	Description	Qty
1	A047S247	Module, Fuel System (See Page 109 for Components)	1
2	0815-0781	Screw, Hollow Head	2
3	0518-0858-02	Screw, Hex Flange Head	2
4	0518-0548-44	Clamp	1
5	0518-0857-02	Screw, Hex Head	1
6	0517-0350	Plug, Hole	1
7	A048V473	Bracket, Fuel System	1
8	A048K848	Line, Fuel	1
9	0332-1992	Terminal, Receptacle	2
10	0332-2430	Terminal, Receptacle	2
11	A048M371	Blade, Splitter	2
12	0332-1794	Tie, Cable	6
13	A048J812	Harness, Generator Electrical	1
14	A048V477	Bracket, Fuel System	1
15	0815-0858-01	Screw, Hex Flange Head	2

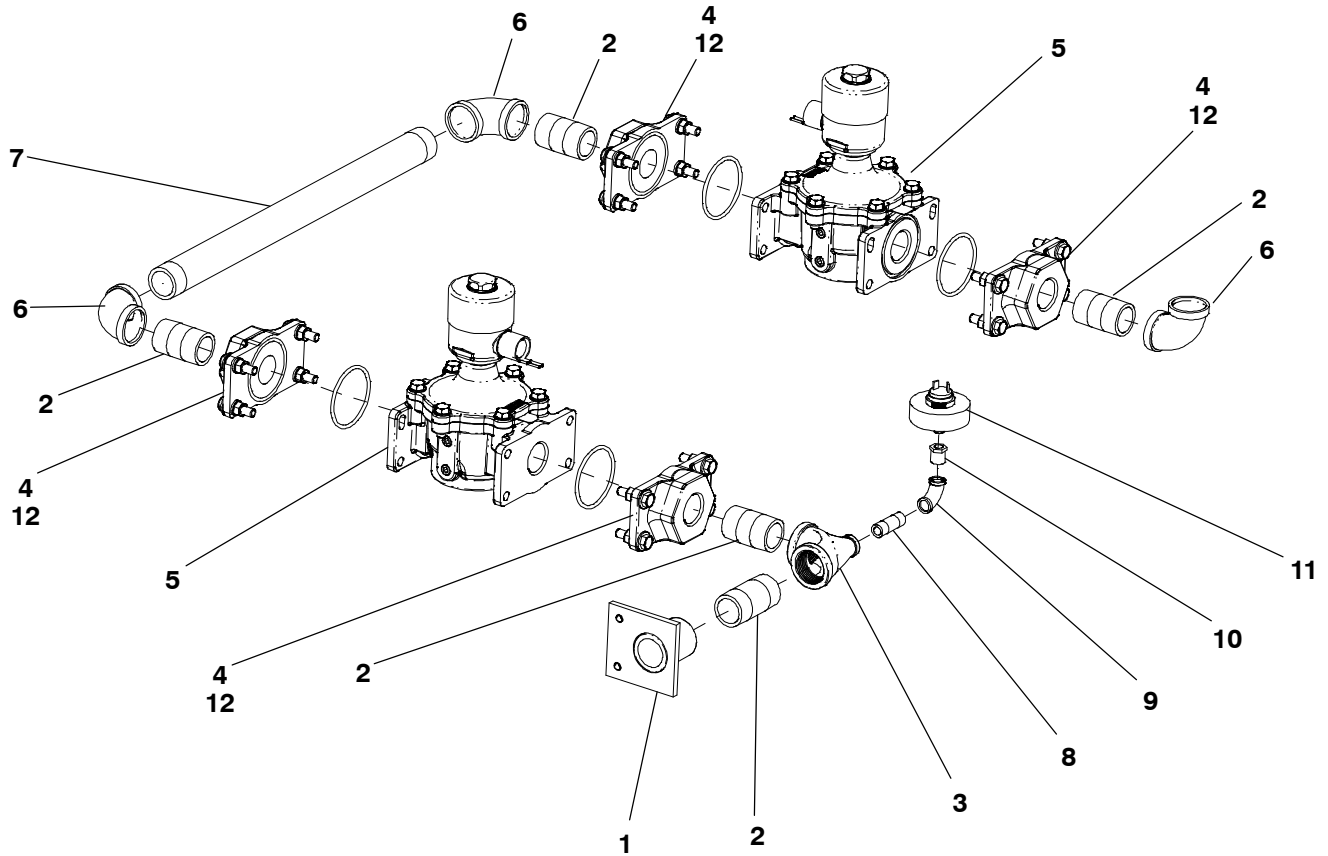
Fuel Supply – Single Fuel System Module – Canada

C20 N6, C22 N6, C25 N6, C30 N6, C36 N6, C40 N6, C30 N6H, C36 N6H, C40 N6H, C45 N6H, C50 N6H



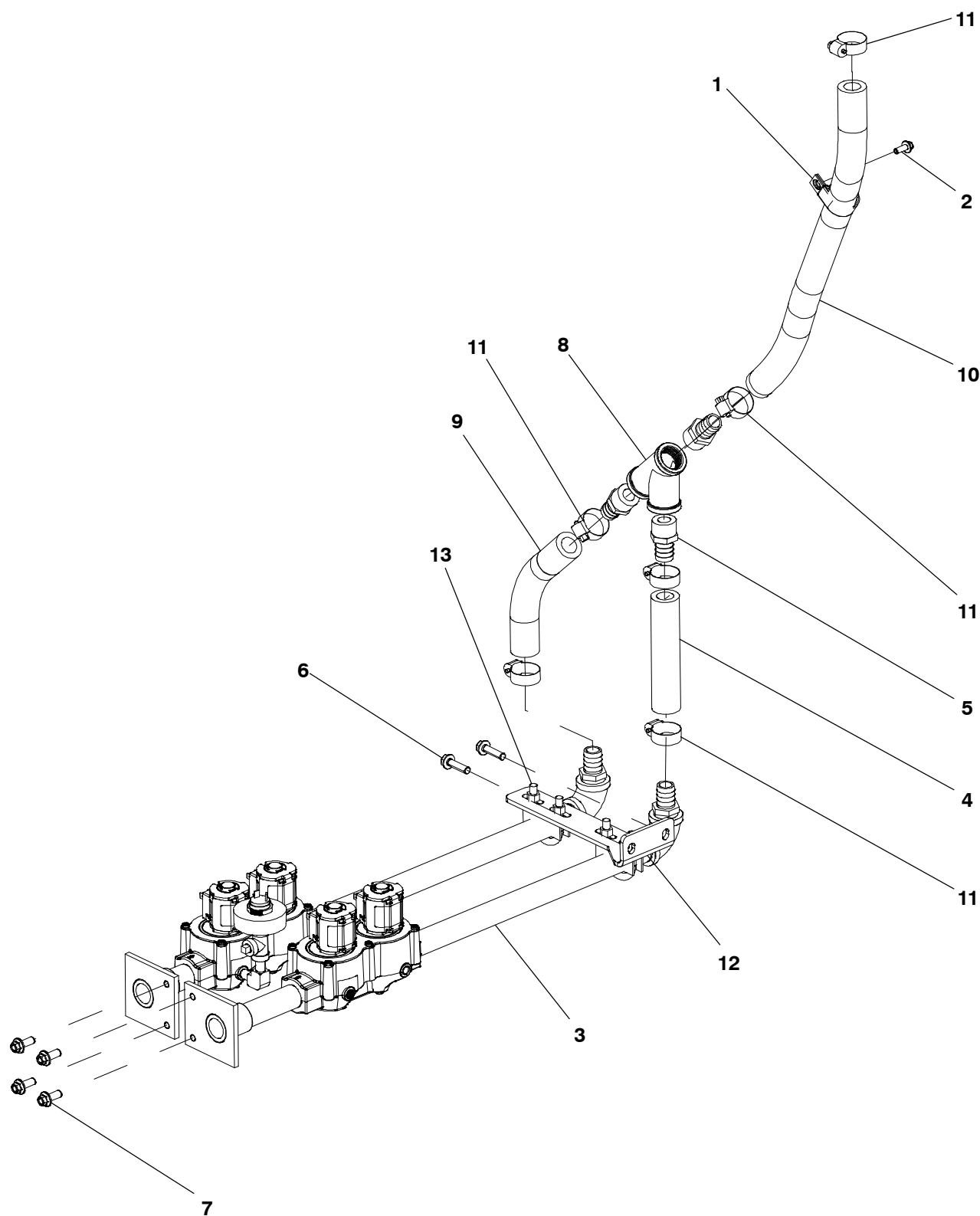
Item	Part No.	Description	Qty
1	A041S333	Support, Fuel System	1
2	0505-2278	Fitting, Nipple	3
3	A046X276	Tee, Pipe	1
4	0307-2930	Valve, Solenoid	2
5	A044P680	Fitting, Nipple	1
6	0505-0132	Elbow, Pipe	1
7	0505-0007	Bushing, Reducer	1
8	A045B239	Switch, Pressure	1

Fuel Supply – Single Fuel System Module – Canada C60 N6H



Item	Part No.	Description	Qty
1	A041L590	Support, Fuel System	1
2	0505-0107	Fitting, Nipple	5
3	A048E046	Tee, Pipe	1
4	A047W320	Adapter, Flange	4
5	0307-2884	Valve, Solenoid	2
6	0505-0041	Elbow, Pipe	3
7	A043Z605	Fitting, Nipple	1
8	0505-0105	Fitting, Nipple	1
9	0505-0038	Elbow, Pipe	1
10	0505-0007	Bushing, Reducer	1
11	A045B239	Switch, Pressure	1
12	A040L665	Screw, Hex Head	16

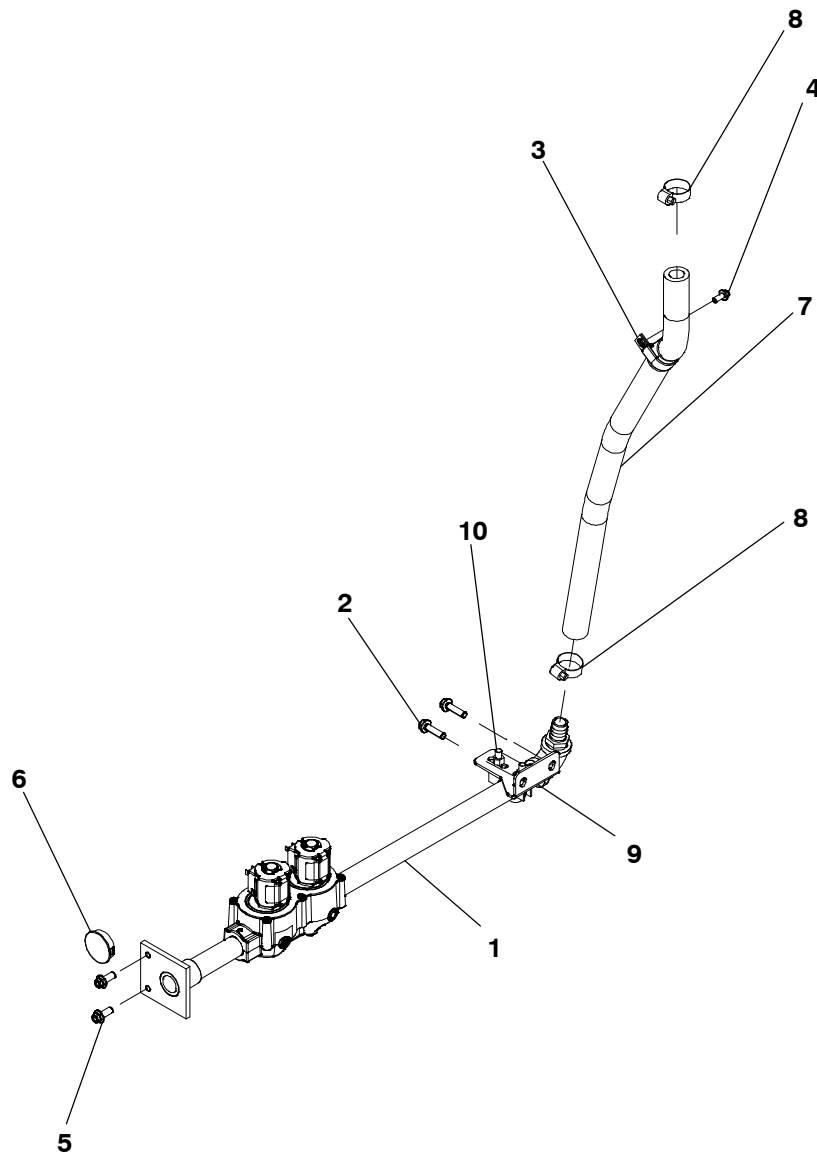
Fuel Supply – Dual Fuel NG/LPV with Automatic Changeover – USA



**Fuel Supply – Dual Fuel NG/LPV with Automatic Changeover – USA
 C20 N6, C22 N6, C25 N6**

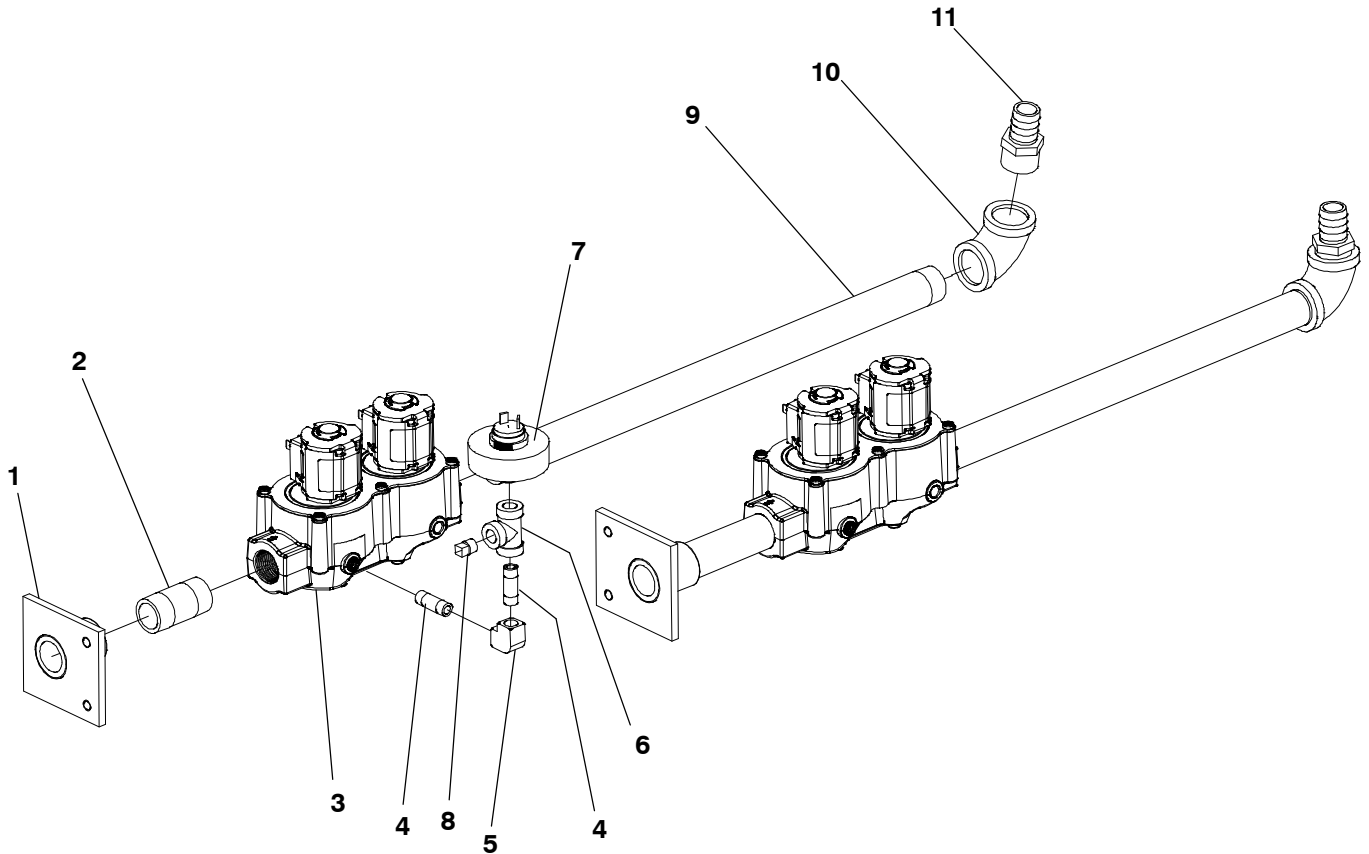
Item	Part No.	Description	Qty
1	0518-0548-60	Clamp	1
2	0815-0857-02	Screw, Hex Head	1
3		Module, Fuel System (See Page 113 for Components)	1
4	A045K122	Hose, Fuel	1
5	0502-0836	Fitting, Hose	3
6	0815-0781	Screw, Hollow Head	2
7	0815-0858-02	Screw, Hex Flange Head	4
8	A045J777	Fitting, Hose Connector	1
9	A045K124	Hose, Fuel	1
10	A045K908	Hose, Fuel	1
11	0503-1136	Clamp, Hose	6
12	A045J786	Bracket, Fuel System	1
13	0155-1256	Clamp	2

Fuel Supply – Single Fuel NG/LPV – USA
C20 N6, C22 N6, C25 N6, C30 N6H



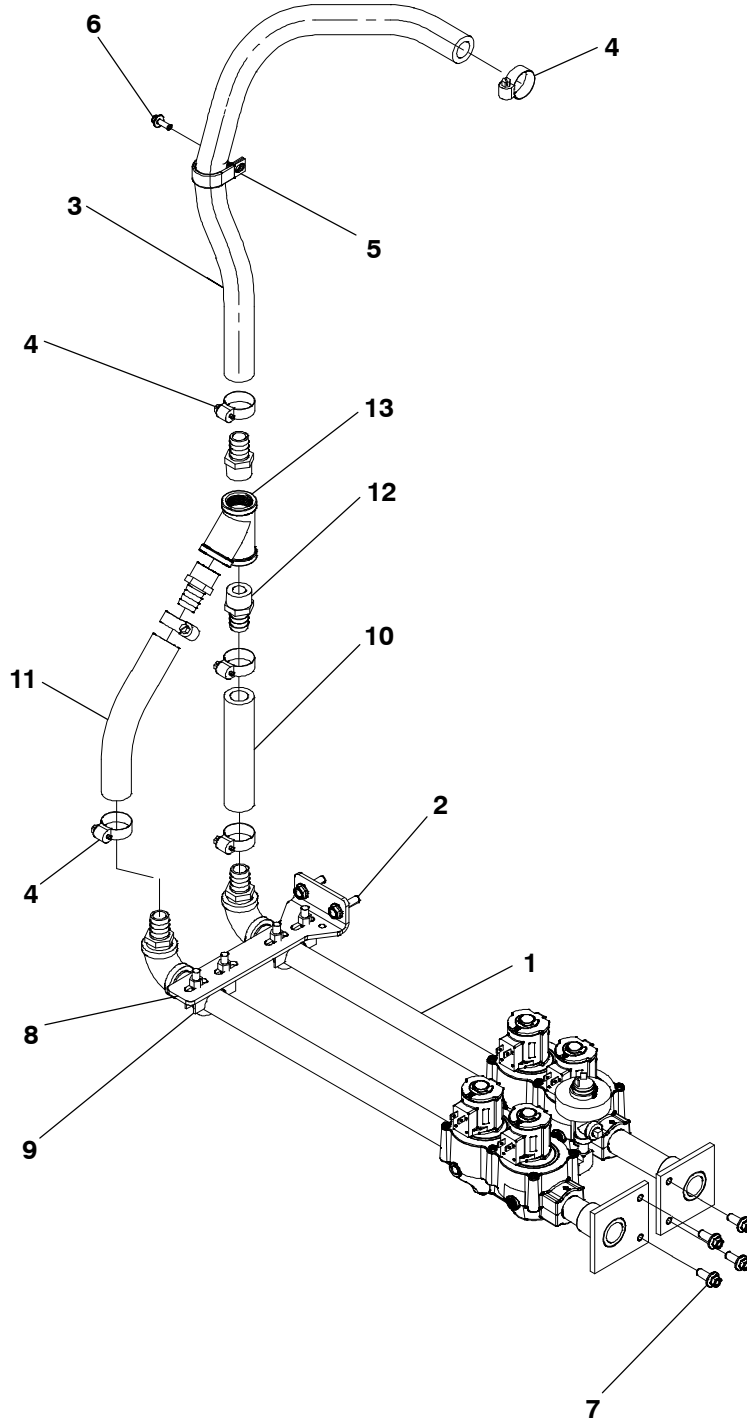
Item	Part No.	Description	Qty
1		Module, Fuel System (See Page 127 for Components)	1
2	0815-0781	Screw, Hollow Head	2
3	0518-0548-60	Clamp	1
4	0815-0857-02	Screw, Hex Head	1
5	0815-0858-02	Screw, Hex Flange Head	2
6	0517-0350	Plug, Hole	1
7	A045K909	Hose, Fuel	1
8	0503-1136	Clamp, Hose	2
9	A045J861	Bracket, Fuel System	1
10	0155-1256	Clamp	1

Fuel Supply – Dual Fuel System Module – USA
C20 N6, C22 N6, C25 N6, C30 N6



Item	Part No.	Description	Qty
1	A041S333	Support, Fuel System	1
2	0505-0085	Fitting, Nipple	1
3	A043V083	Valve, Shutoff	1
4	A047K791	Fitting, Nipple	2
5	A047K793	Elbow, Pipe	1
6	0505-0059	Tee, Pipe Tee	1
7	A045N513	Switch, Pressure	1
8	0505-0057	Plug, Square Head	1
9	0505-1525	Fitting, Nipple	1
10	0505-0132	Elbow, Pipe	1
11	0502-0836	Fitting, Hose	1

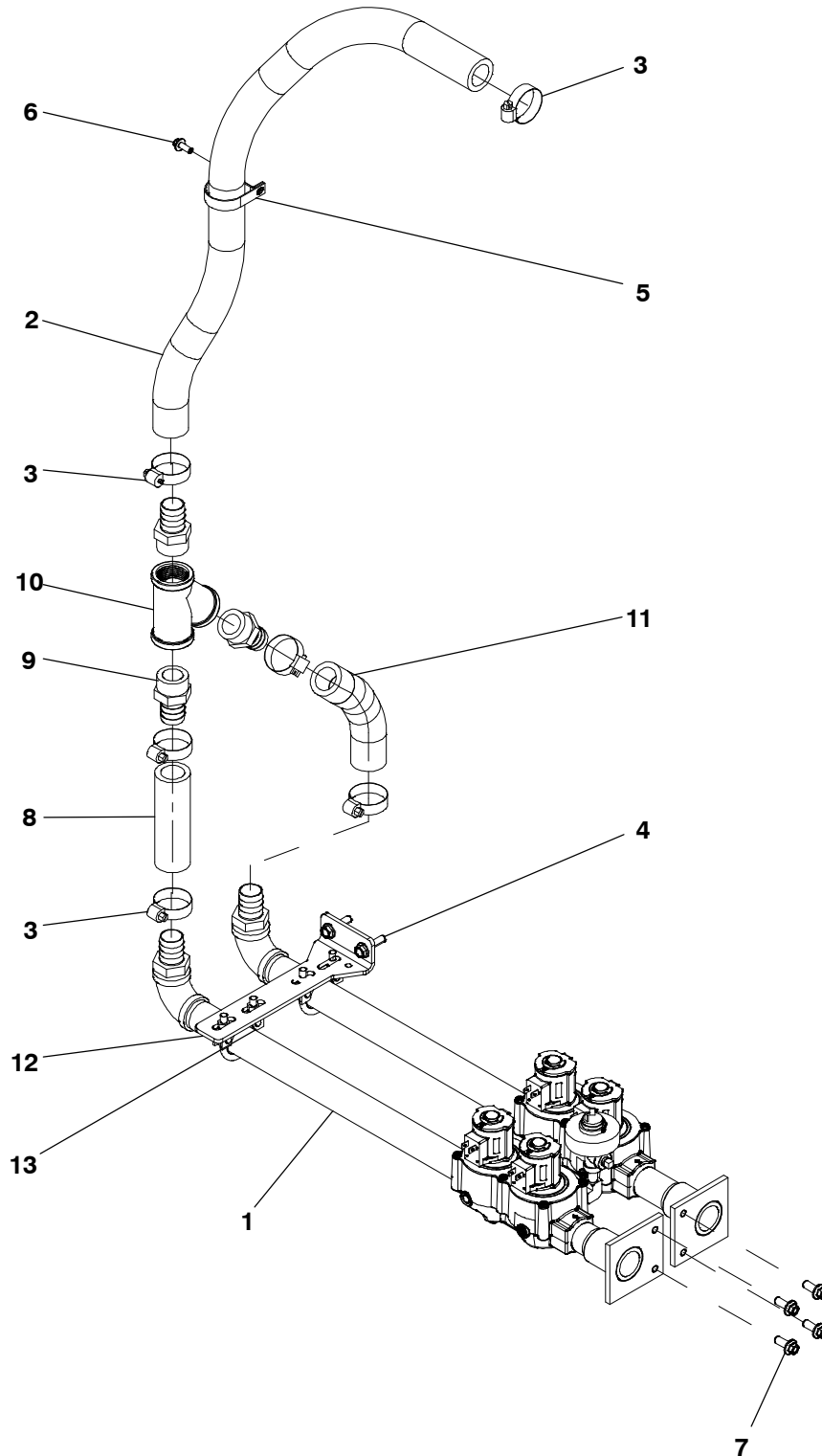
Fuel Supply – Dual Fuel NG/LPV with Automatic Changeover – USA C36 N6, C40 N6



**Fuel Supply – Dual Fuel NG/LPV with Automatic Changeover – USA
C36 N6, C40 N6**

Item	Part No.	Description	Qty
1		Module, Fuel System (See Page 122 for Components)	1
2	0815-0781	Screw, Hollow Head	2
3	A041S364	Hose, Fuel	1
4	0503-1136	Clamp, Hose	6
5	0518-0548-60	Clamp	1
6	0815-0857-02	Screw, Hex Head	1
7	0815-0858-02	Screw, Hex Flange Head	4
8	A045J786	Bracket, Fuel System	1
9	0155-1256	Clamp	2
10	A045K122	Hose, Fuel	1
11	A045K124	Hose, Fuel	1
12	0502-0836	Fitting, Hose	3
13	A045J777	Fitting, Hose Connector	1

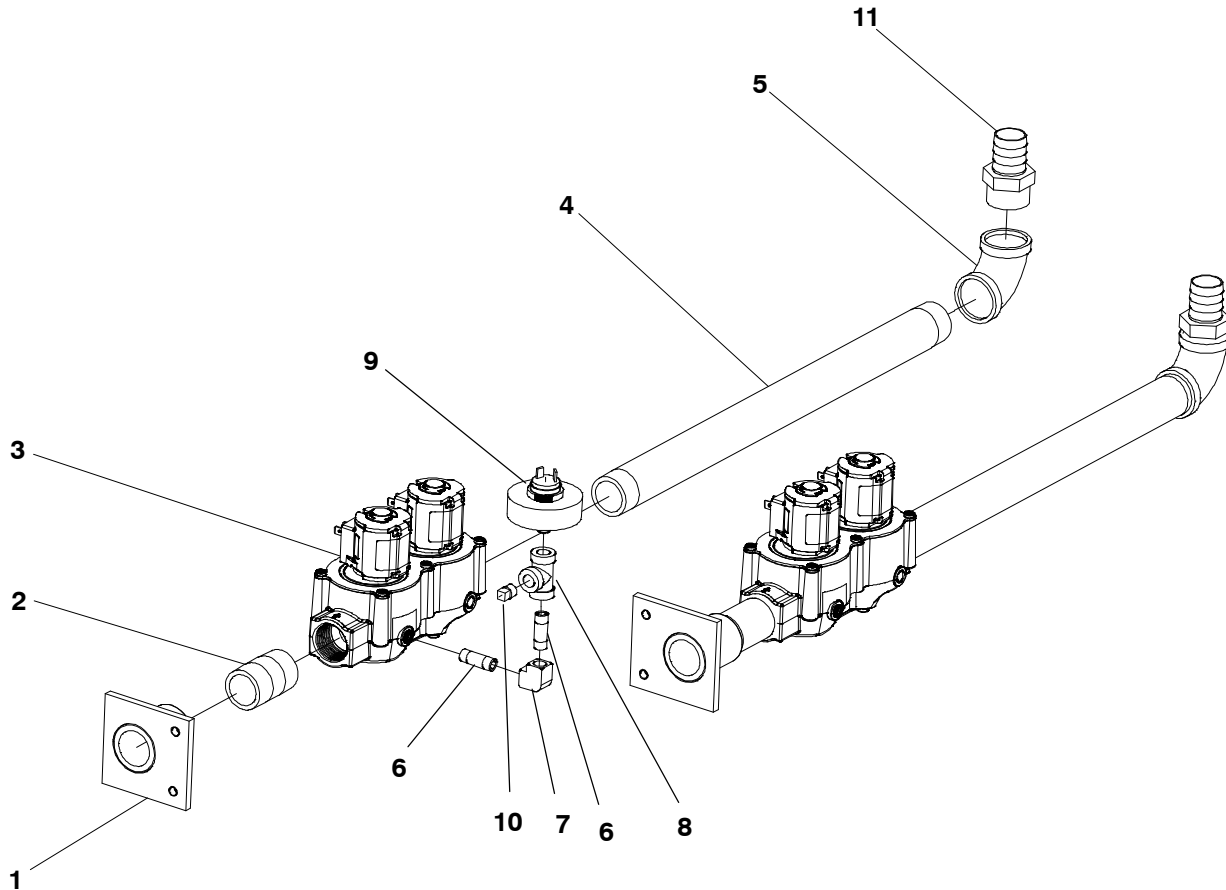
Fuel Supply – Dual Fuel NG/LPV with Automatic Changeover – USA C60 N6H



**Fuel Supply – Dual Fuel NG/LPV with Automatic Changeover – USA
 C60 N6H**

Item	Part No.	Description	Qty
1		Module, Fuel System (See Page 118 for Components)	1
2	A045Z903	Hose, Fuel	1
3	0503-1138	Clamp, Hose	6
4	0815-0781	Screw, Hollow Head	2
5	0518-0548-44	Clamp	1
6	0815-0857-02	Screw, Hex Head	1
7	0815-0858-02	Screw, Hex Flange Head	4
8	A045K281	Hose, Fuel	1
9	0502-1110	Fitting, Hose Connector	3
10	A045J775	Fitting, Hose Connector	1
11	A045K279	Hose, Fuel	1
12	A045J786	Bracket, Fuel System	1
13	0187-5128	Clamp	2

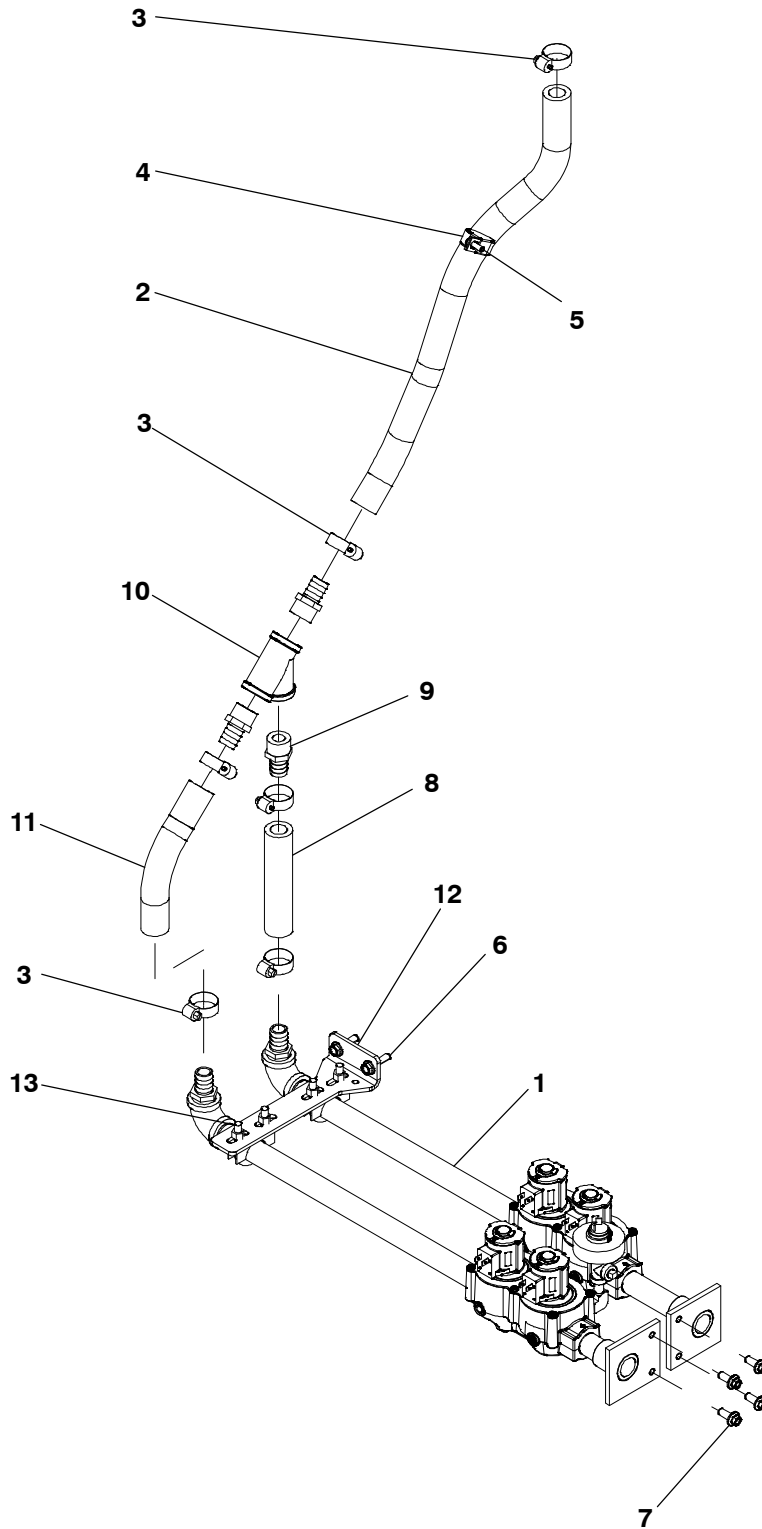
Fuel Supply – Dual Fuel System Module – USA C60 N6H



Item	Part No.	Description	Qty
1	A041L590	Support, Fuel System	1
2	0505-0107	Fitting, Nipple	1
3	A043V085	Valve, Shutoff	1
4	A043Z605	Fitting, Nipple	1
5	0505-0041	Elbow, Pipe	1
6	A047K791	Fitting, Nipple	2
7	A047K793	Elbow, Pipe	1
8	0505-0059	Tee, Pipe Tee	1
9	A045B239	Switch, Pressure	1
10	0505-0057	Plug, Square Head	1
11	0502-1110	Fitting, Hose Connector	1

This page is Intentionally blank.

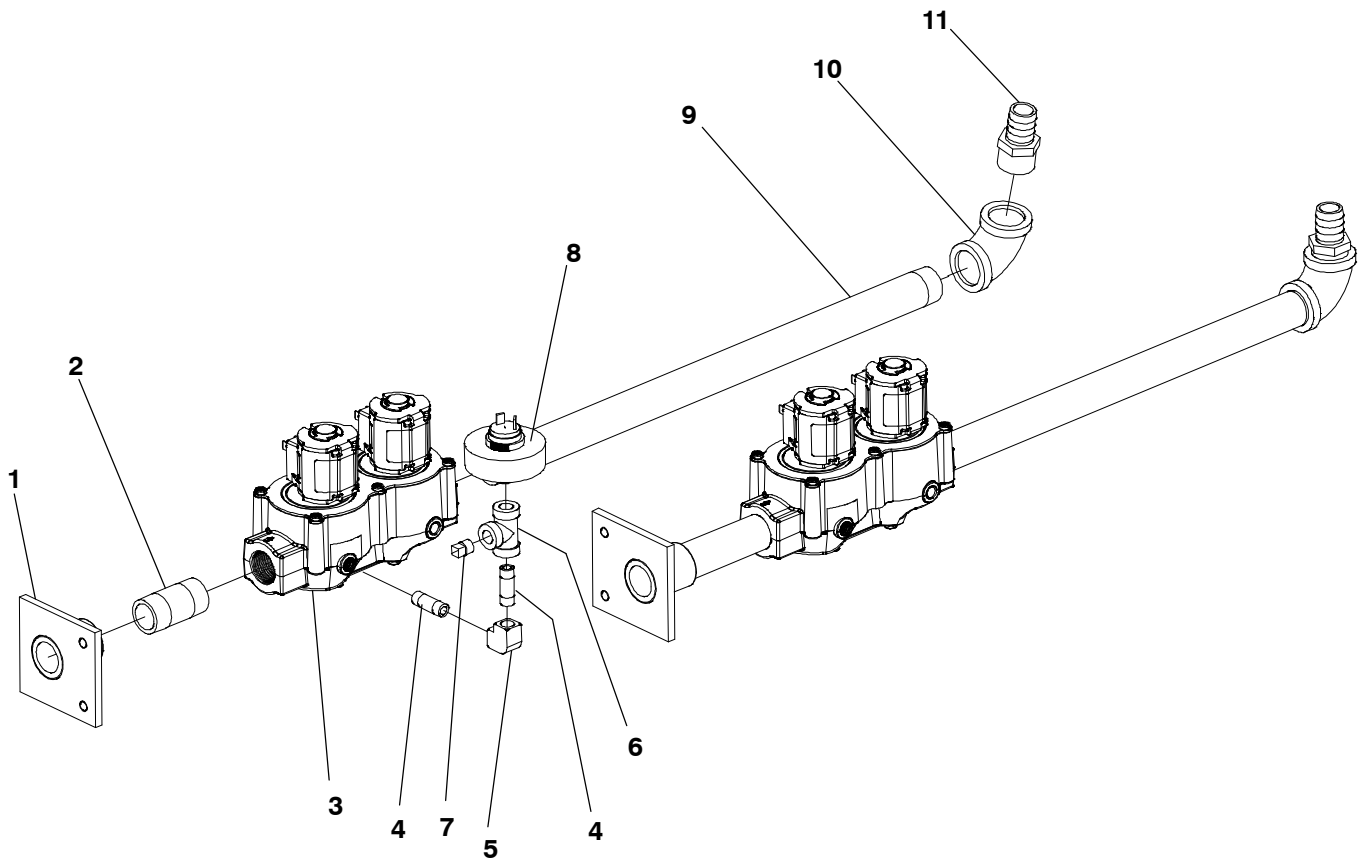
**Fuel Supply – Dual Fuel NG/LPV with Automatic Changeover – USA
C30 N6H, C36 N6H, C40 N6H, C45 N6H, C50 N6H**



**Fuel Supply – Dual Fuel NG/LPV with Automatic Changeover – USA
 C30 N6H, C36 N6H, C40 N6H, C45 N6H, C50 N6H**

Item	Part No.	Description	Qty
1		Module, Fuel System (See Page 122 for Components)	1
2	A045K908	Hose, Fuel	1
3	0503-1136	Clamp, Hose	6
4	0518-0548-60	Clamp	1
5	0815-0857-02	Screw, Hex Head	1
6	0815-0781	Screw, Hollow Head	2
7	0815-0858-02	Screw, Hex Flange Head	4
8	A045K122	Hose, Fuel	1
9	0502-0836	Fitting, Hose	3
10	A045J777	Fitting, Hose Connector	1
11	A045K124	Hose, Fuel	1
12	A045J786	Bracket, Fuel System	1
13	0155-1256	Clamp	2

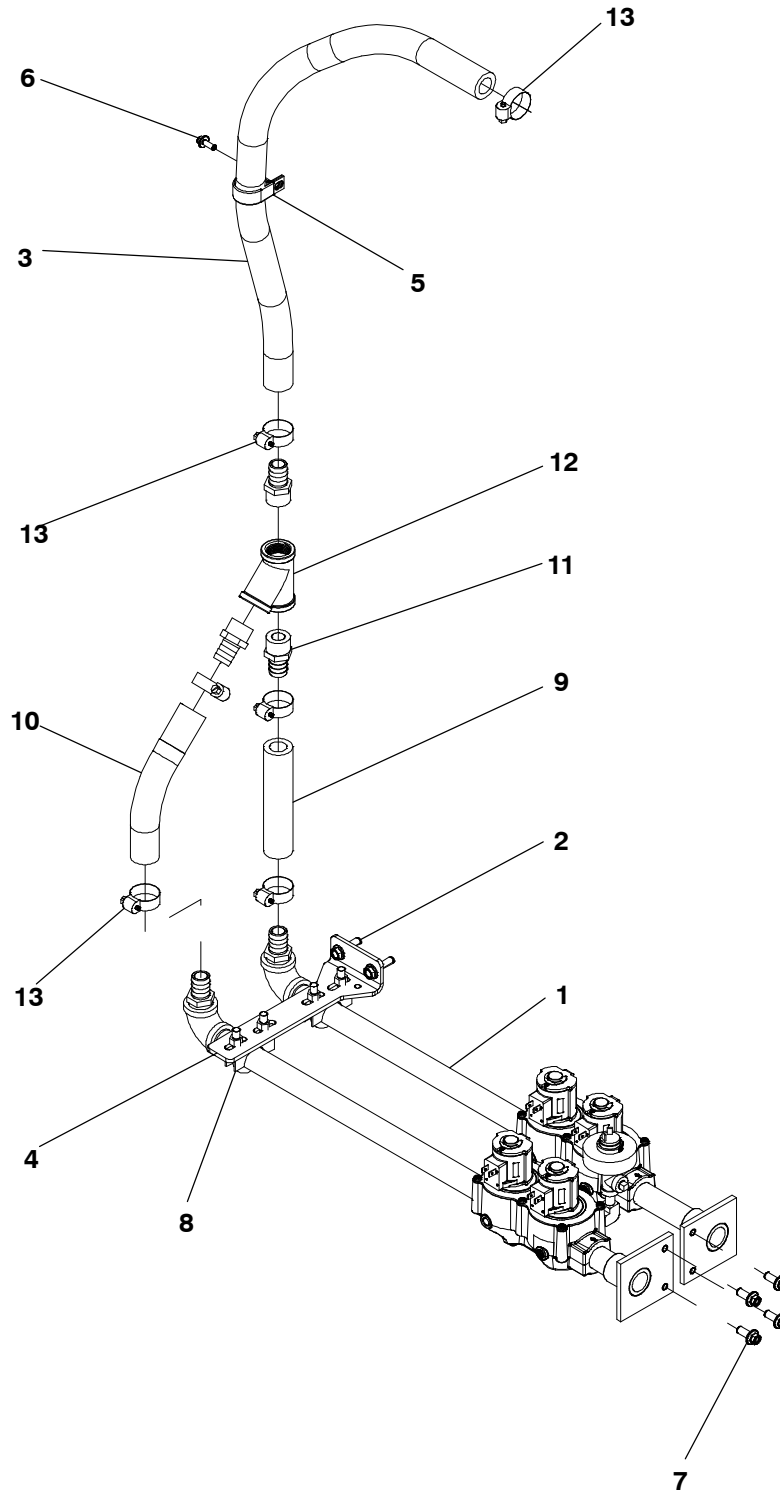
Fuel System – Dual Fuel System Module – USA
C36 N6, C40 N6, C30 N6H, C36 N6H, C40 N6H, C45 N6H, C50 N6H



Item	Part No.	Description	Qty
1	A041S333	Support, Fuel System	1
2	0505-0085	Fitting, Nipple	1
3	A043V083	Valve, Shutoff	1
4	A047K791	Fitting, Nipple	2
5	A047K793	Elbow, Pipe	1
6	0505-0059	Tee, Pipe Tee	1
7	0505-0057	Plug, Square Head	1
8	A045B239	Switch, Pressure	1
9	0505-1525	Fitting, Nipple	1
10	0505-0132	Elbow, Pipe	1
11	0502-0836	Fitting, Hose	1

This page is Intentionally blank.

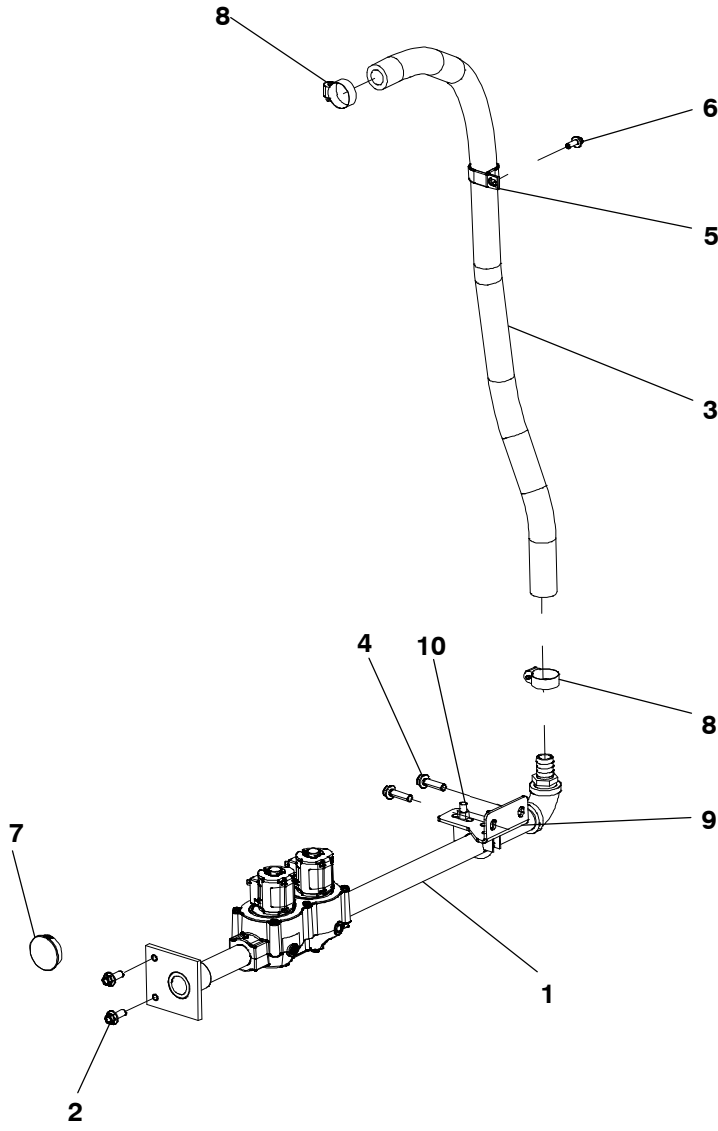
Fuel Supply – Dual Fuel NG/LPV with Automatic Changeover – USA C30 N6



**Fuel Supply – Dual Fuel NG/LPV with Automatic Changeover – USA
 C30 N6**

Item	Part No.	Description	Qty
1		Module, Fuel System (See Page 113 for Components)	1
2	0815-0781	Screw, Hollow Head	2
3	A041S364	Hose, Fuel	1
4	A045J786	Bracket, Fuel System	1
5	0518-0548-60	Clamp	1
6	0815-0857-02	Screw, Hex Head	1
7	0815-0858-02	Screw, Hex Flange Head	4
8	0155-1256	Clamp	2
9	A045K122	Hose, Fuel	1
10	A045K124	Hose, Fuel	1
11	0502-0836	Fitting, Hose	3
12	A045J777	Fitting, Hose Connector	1
13	0503-1136	Clamp, Hose	6

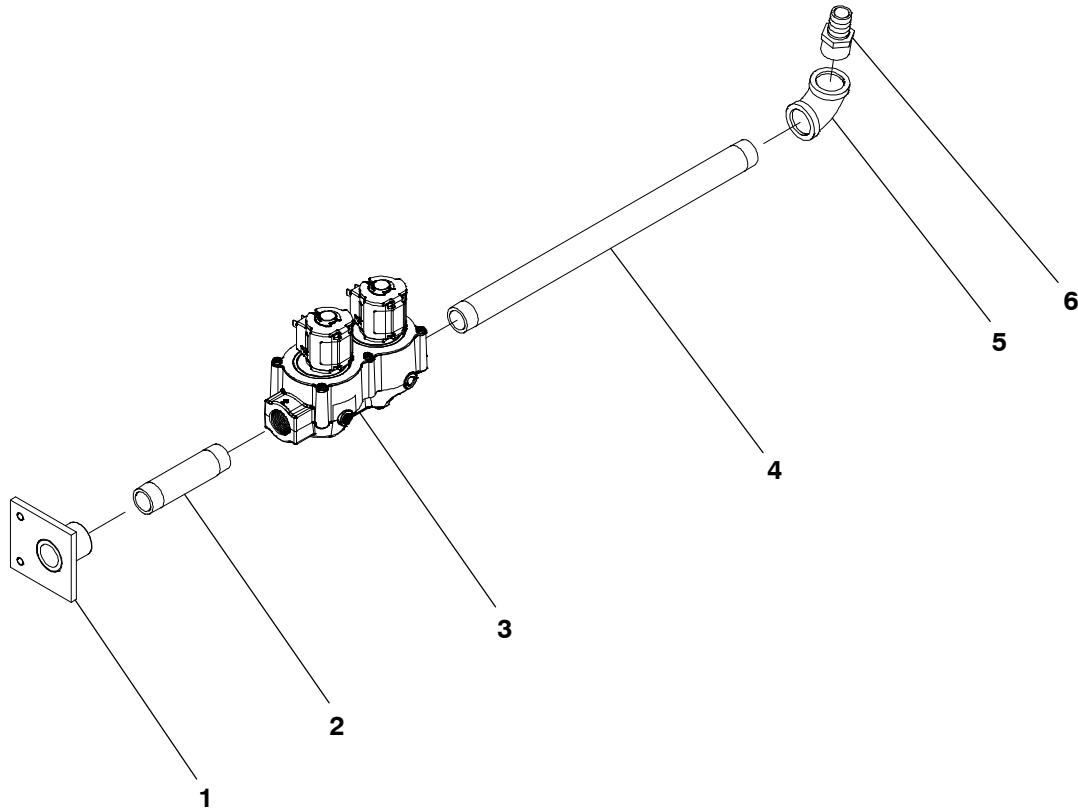
Fuel Supply – Single Fuel NG/LPV – USA
C30 N6, C36 N6, C40 N6



Item	Part No.	Description	Qty
1		Module, Fuel System (See Page 127 for Components)	1
2	0815-0858-02	Screw, Hex Flange Head	2
3	A042Y992	Hose, Fuel	1
4	0815-0781	Screw, Hollow Head	2
5	0518-0548-60	Clamp	1
6	0815-0857-02	Screw, Hex Head	1
7	0517-0350	Plug, Hole	1
8	0503-1136	Clamp, Hose	2
9	A045J861	Bracket, Fuel System	1
10	0155-1256	Clamp	1

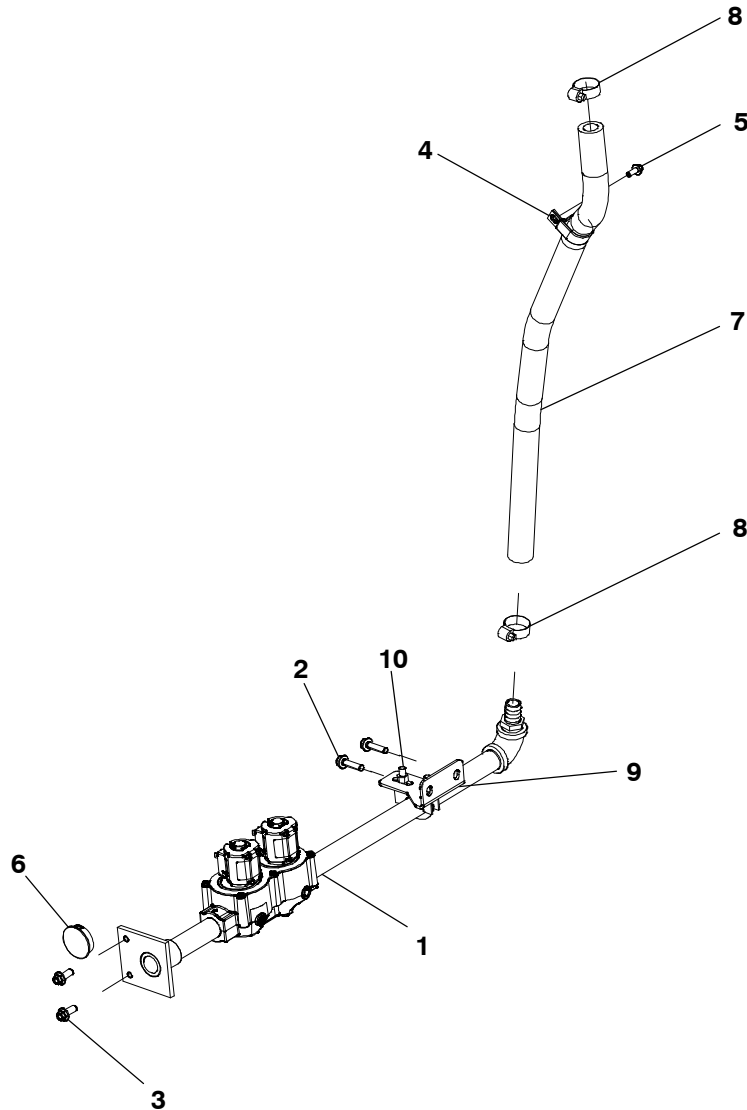
Fuel System – Single Fuel System Module – USA

C20 N6, C22 N6, C25 N6, C30 N6, C36 N6, C40 N6, C30 N6H, C36 N6H, C40 N6H, C45 N6H, C50 N6H



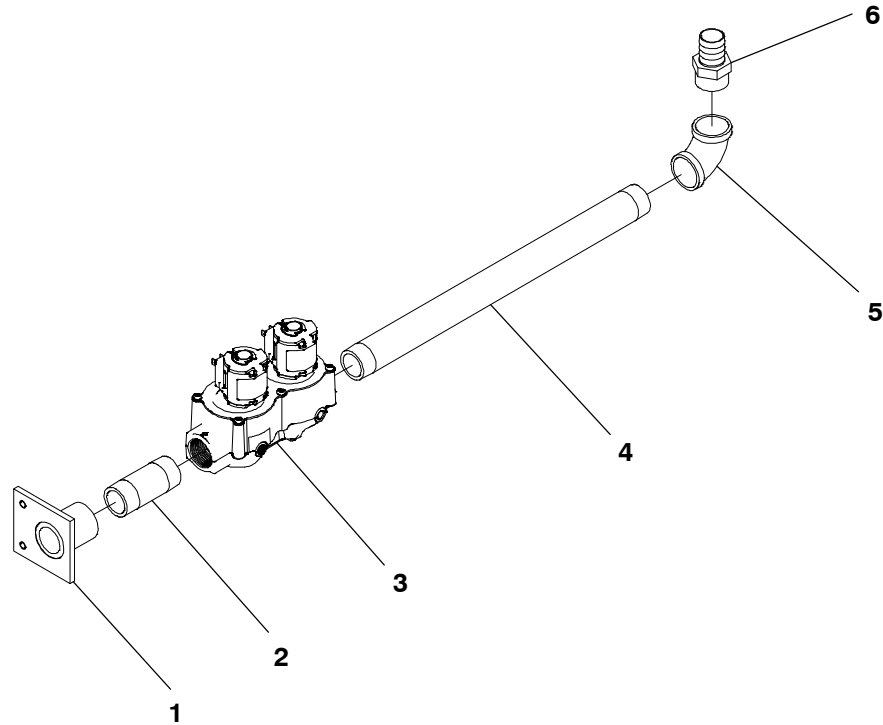
Item	Part No.	Description	Qty
1	A041S333	Support, Fuel System	1
2	0505-0337	Fitting, Nipple	1
3	A043V083	Valve, Shutoff	1
4	A043Z432	Fitting, Nipple	1
5	0505-0132	Elbow, Pipe	1
6	0502-0836	Fitting, Hose	1

Fuel Supply – Single Fuel NG/LPV – USA
C30 N6H, C36 N6H, C40 N6H, C45 N6H, C50 N6H



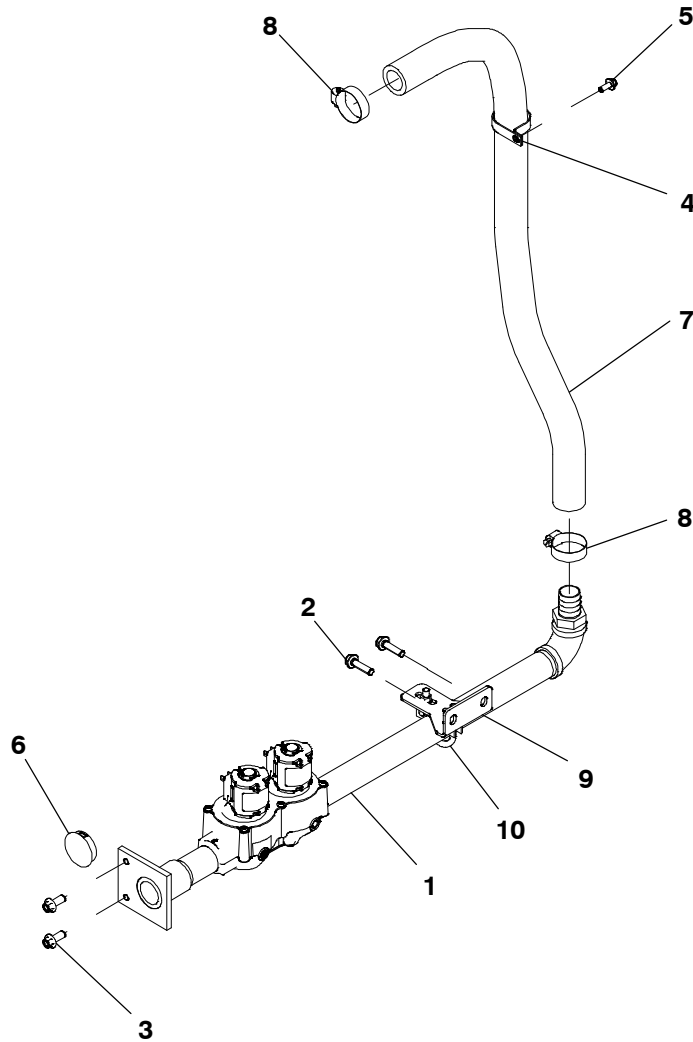
Item	Part No.	Description	Qty
1		Module, Fuel System (See Page 127 for Components)	1
2	0815-0781	Screw, Hollow Head	2
3	0815-0858-02	Screw, Hex Flange Head	2
4	0518-0548-60	Clamp	1
5	0815-0857-02	Screw, Hex Head	1
6	0517-0350	Plug, Hole	1
7	A041S364	Hose, Fuel	1
8	0503-1136	Clamp, Hose	2
9	A045J861	Bracket, Fuel System	1
10	0155-1256	Clamp	1

**Fuel System – Single Fuel System Module – USA
 C60 N6H**



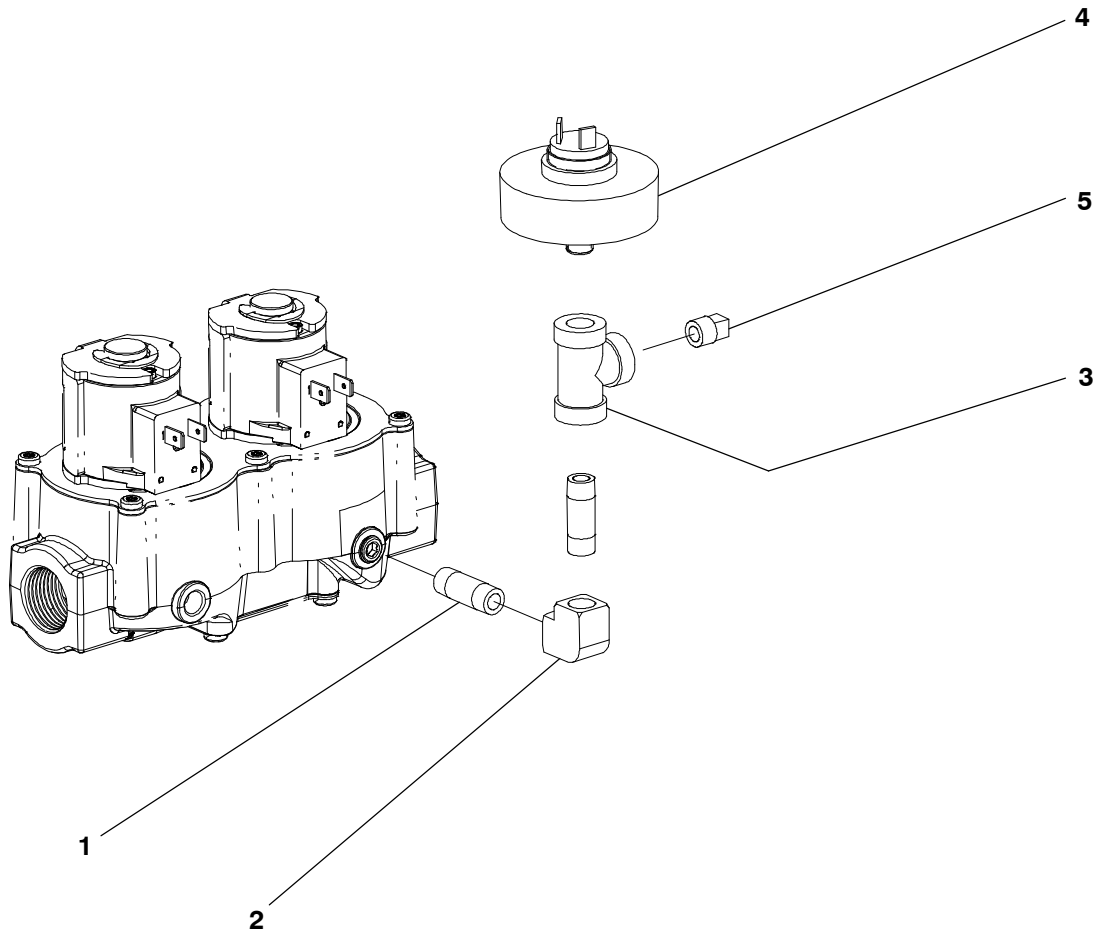
Item	Part No.	Description	Qty
1	A041L590	Support, Fuel System	1
2	0505-0087	Fitting, Nipple	1
3	A043V085	Valve, Shutoff	1
4	A045E943	Fitting, Nipple	1
5	0505-0041	Elbow, Pipe	1
6	0502-1110	Fitting, Hose Connector	1

**Fuel Supply – Single Fuel NG/LPV – USA
 C60 N6H**



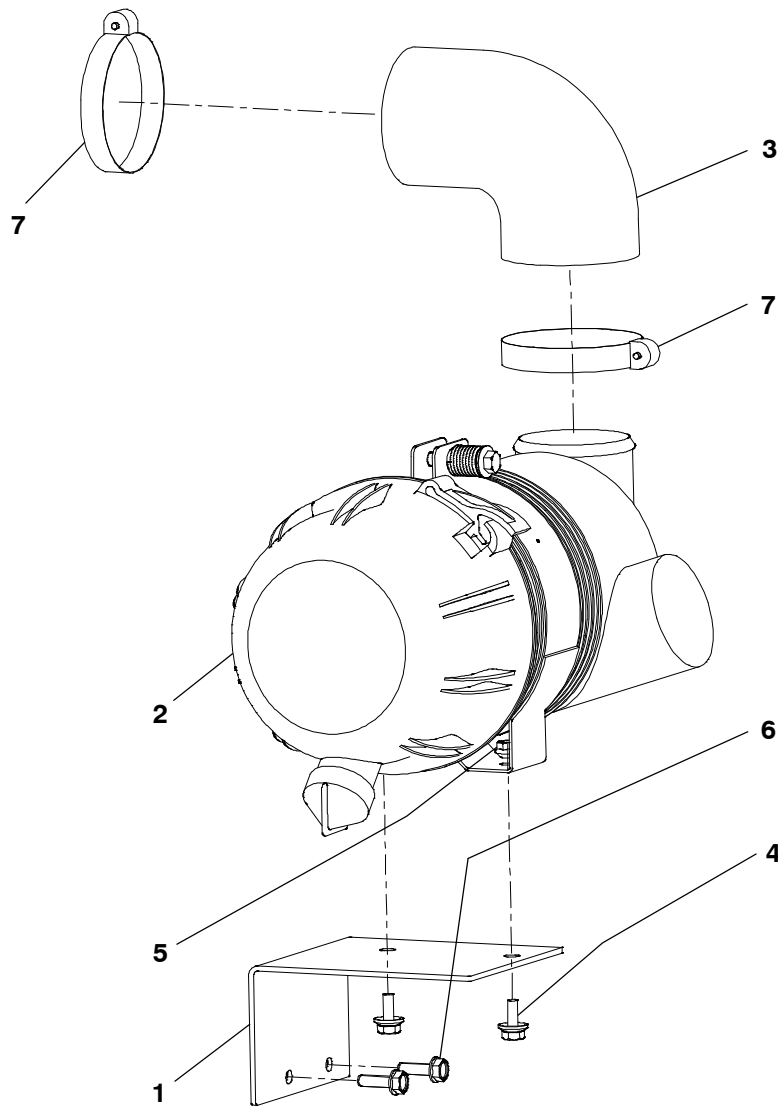
Item	Part No.	Description	Qty
1		Module, Fuel System (See Page 129 for Components)	1
2	0815-0781	Screw, Hollow Head	2
3	0815-0858-02	Screw, Hex Flange Head	2
4	0518-0548-44	Clamp	1
5	0815-0857-02	Screw, Hex Head	1
6	0517-0350	Plug, Hole	1
7	0503-2353-10	Hose, Fuel	1
8	0503-1138	Clamp, Hose	2
9	A045J861	Bracket, Fuel System	1
10	0187-5128	Clamp	1

Low Pressure Switch



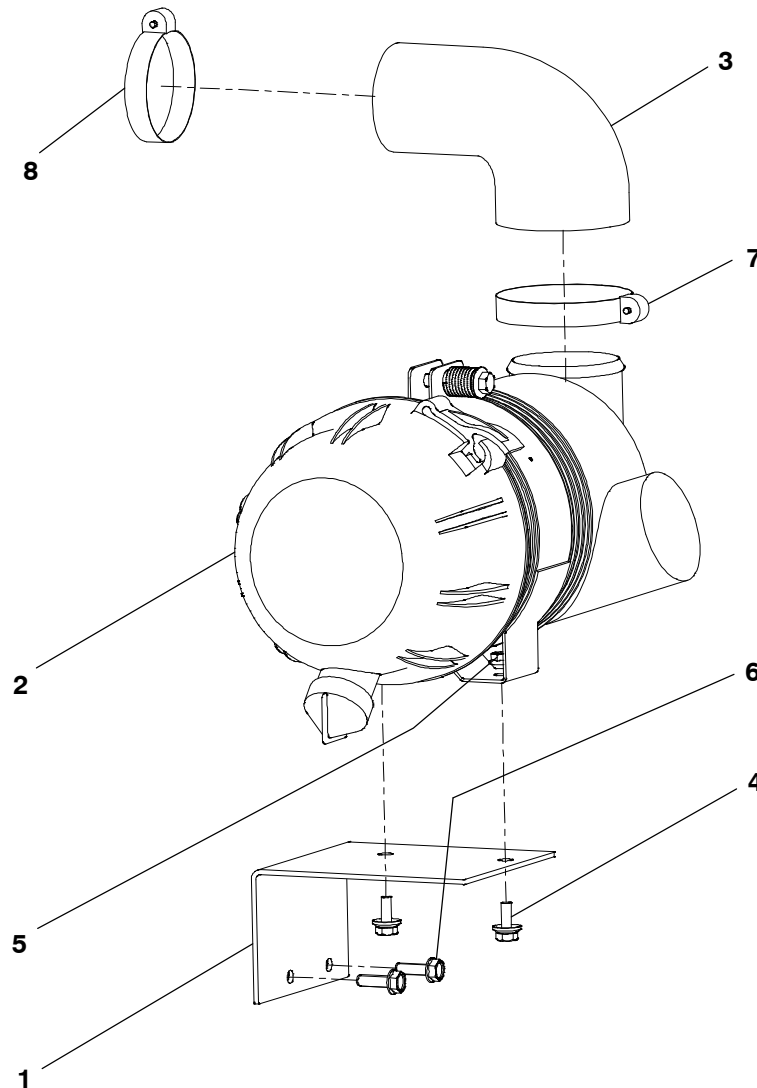
Item	Part No.	Description	Qty
1	A047K791	Fitting, Nipple	2
2	A047K793	Elbow, Pipe	1
3	0505-0059	Tee, Pipe Tee	1
4	A045B239	Switch, Pressure	1
5	0505-0057	Plug, Square Head	1

Air Cleaner
Heavy Duty – C36 N6, C40 N6



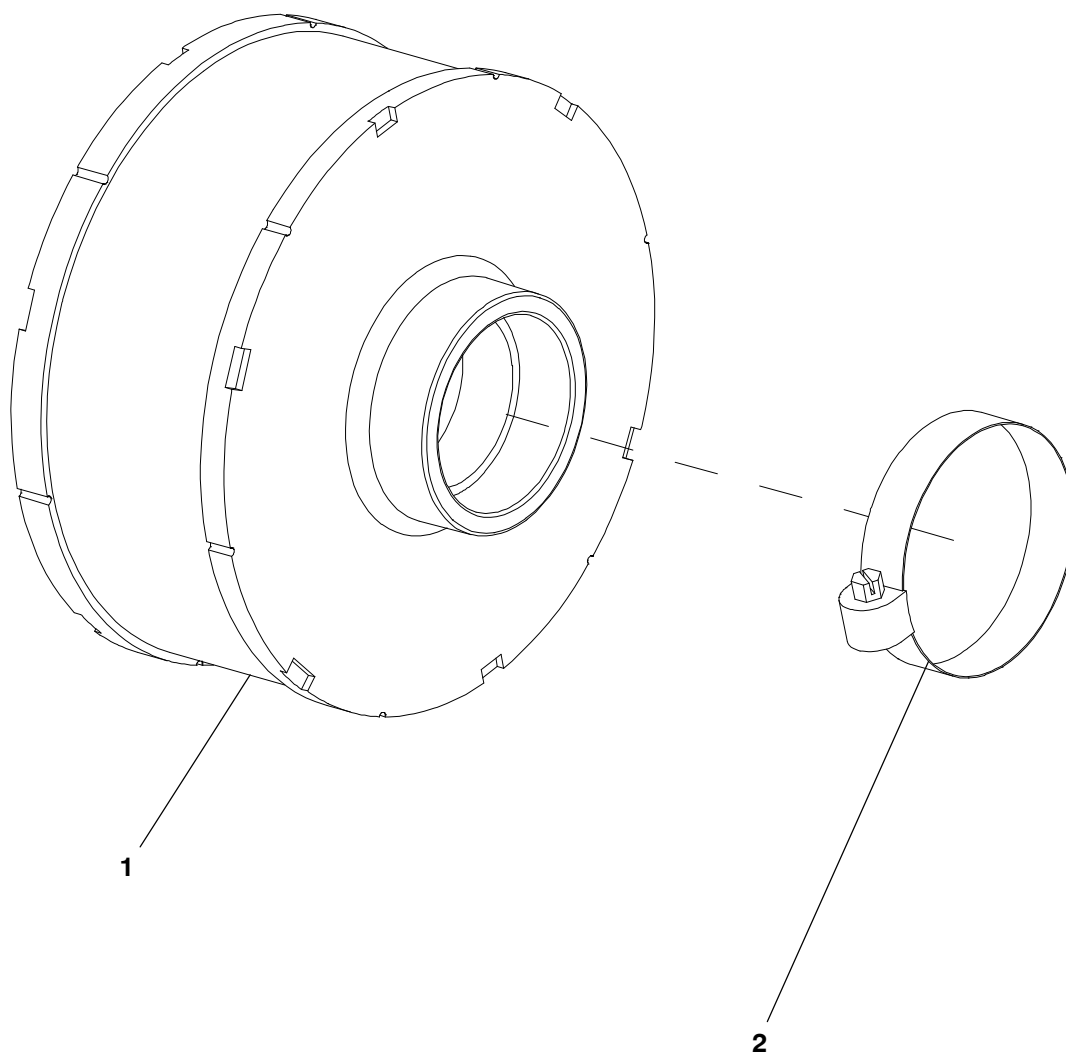
Item	Part No.	Description	Qty
1	A042X764	Bracket, Air Filter	1
2	A043C926	Filter, Air	1
	A044V681	Filter, Replacement Air	1
3	A042X712	Hose, Intake	1
4	0821-6003-01	Screw, Hex Head	2
5	0870-2055	Nut, Flange Lock	2
6	0815-0829-05	Screw, Hollow Head	2
7	0503-1870-05	Clamp	2

Air Cleaner – Heavy Duty C30 N6



Item	Part No.	Description	Qty
1	A042X764	Bracket, Air Filter	1
2	A043C926	Filter, Air	1
	A044V681	Filter, Replacement Air	1
3	A043U141	Hose, Intake	1
4	0821-6003-01	Screw, Hex Head	2
5	0870-2055	Nut, Flange Lock	2
6	0815-0829-05	Screw, Hollow Head	2
7	0503-1870-05	Clamp	1
8	0503-1870-04	Clamp, Hose	1

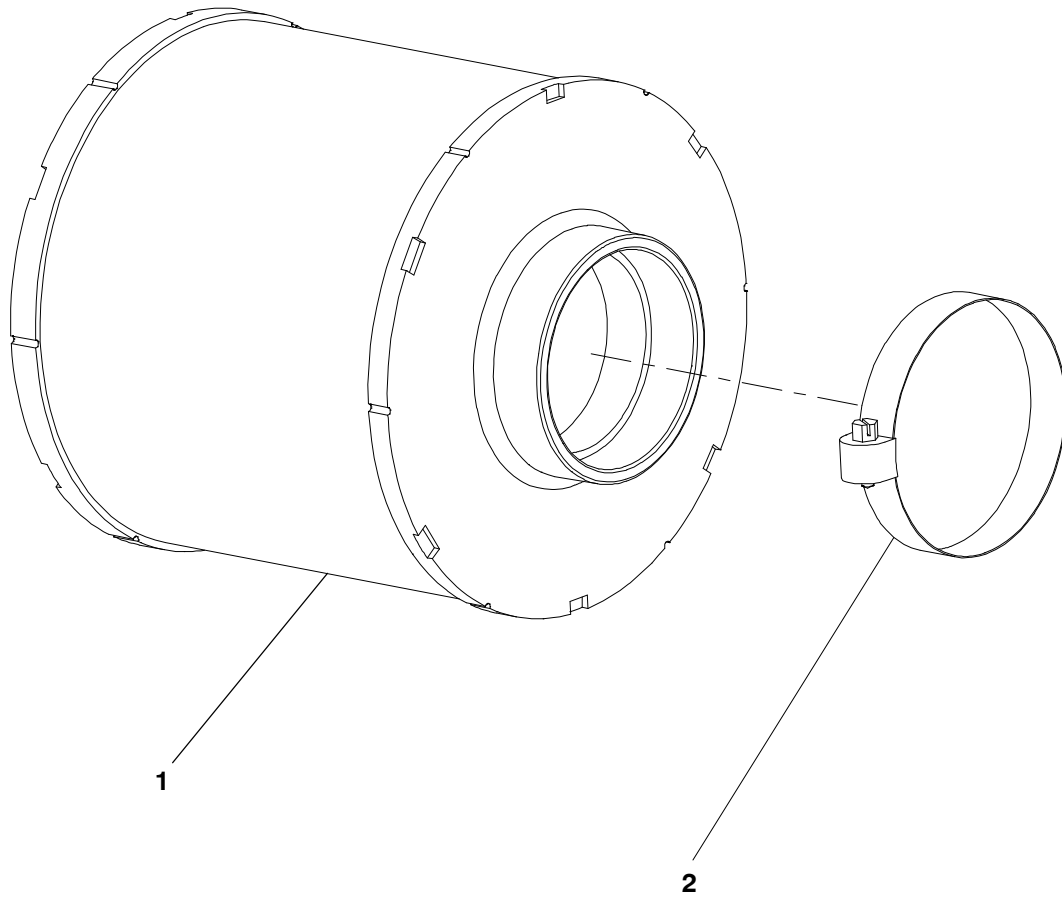
Air Cleaner – Normal Duty
C20 N6, C22 N6, C25 N6, C30 N6, C30 N6H



Item	Part No.	Description	Qty
1	A042Y176	Filter, Air	1
2	0503-1870-04	Clamp, Hose	1

Air Cleaner – Normal Duty

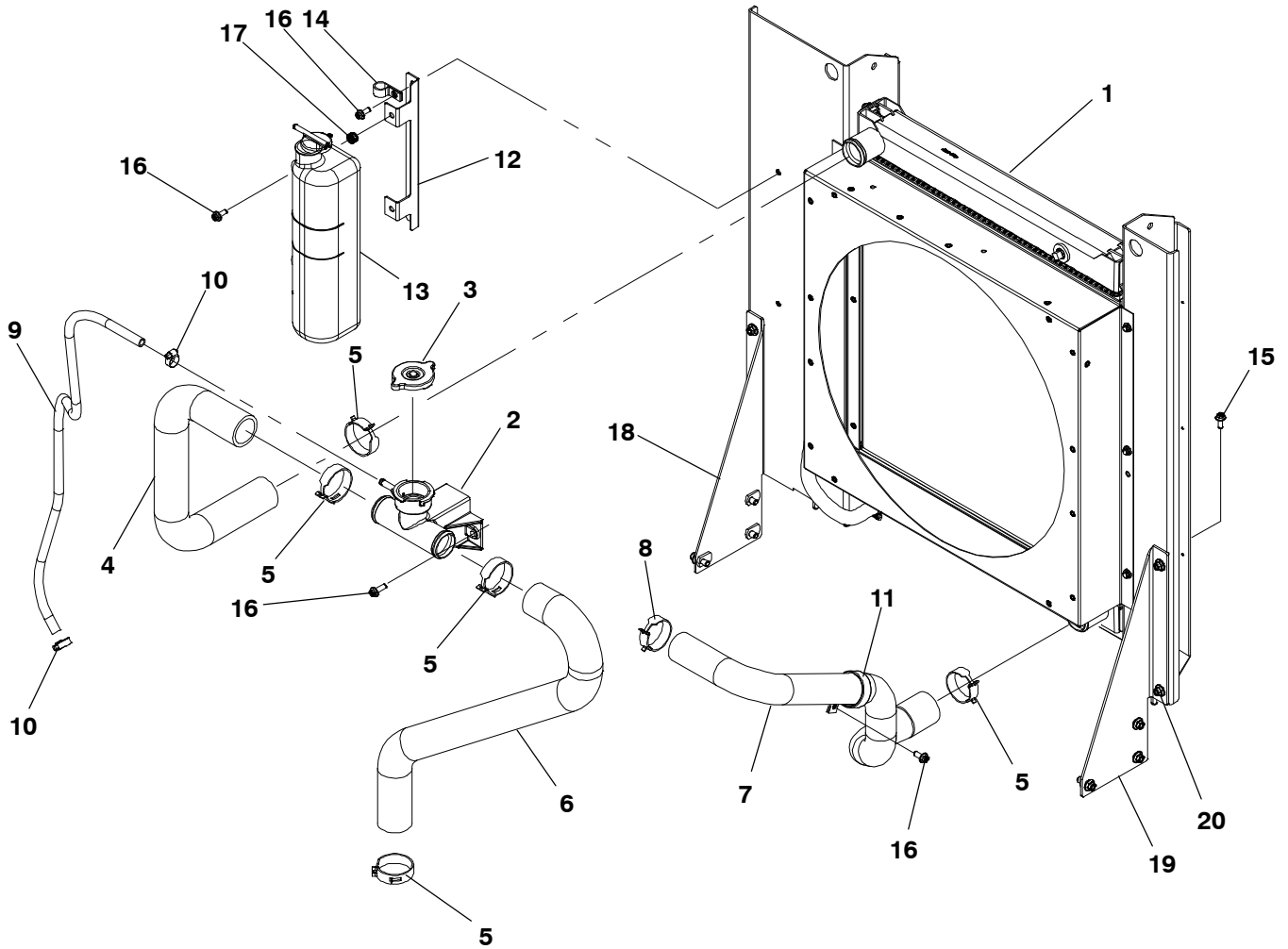
C36 N6, C40 N6, C36 N6H, C40 N6H, C45 N6H, C50 N6H, C60 N6H



Item	Part No.	Description	Qty
1	A042Y252	Filter, Air	1
2	0503-1870-05	Clamp, Hose	1

Cooling System

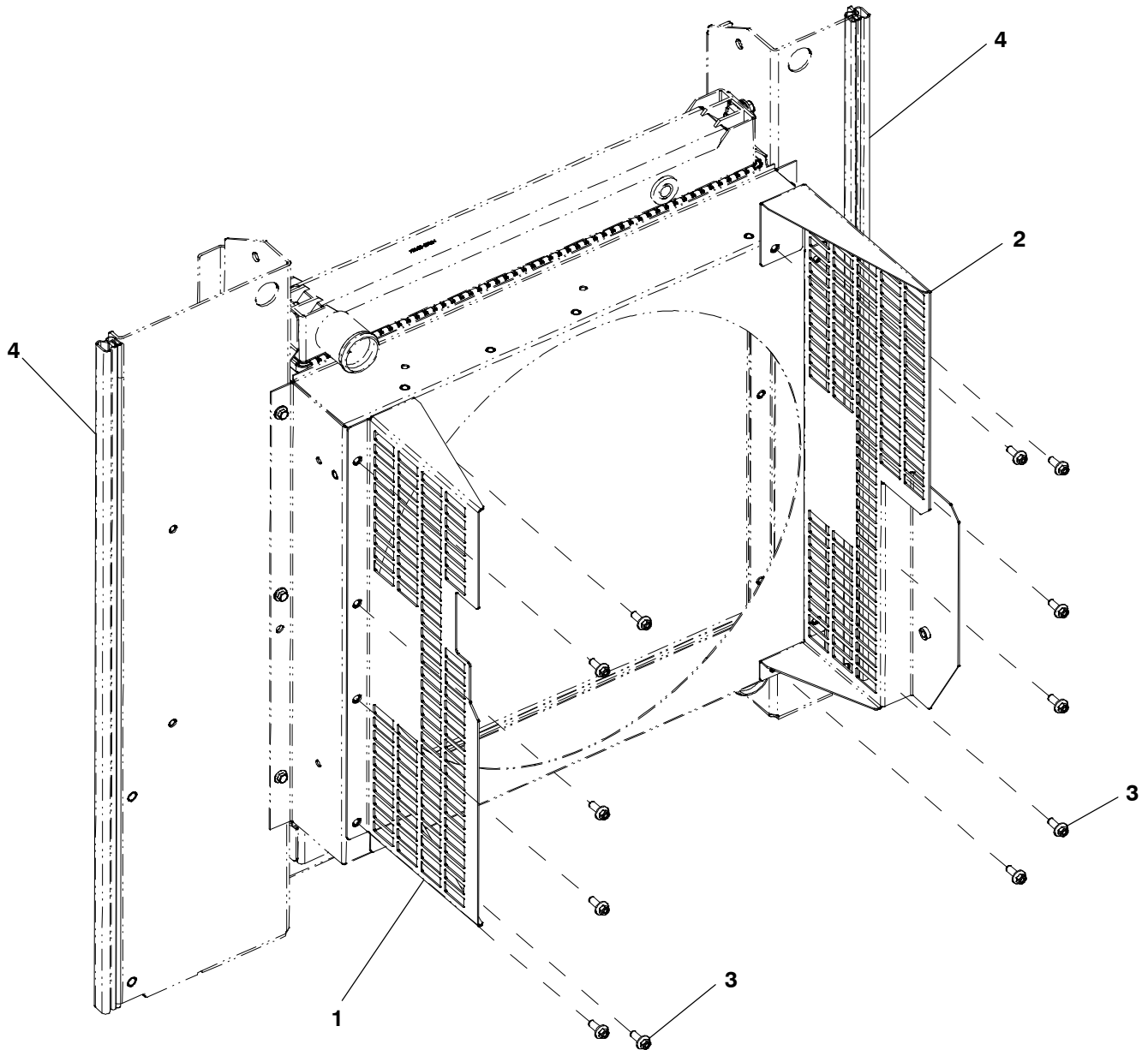
C20 N6, C22 N6, C25 N6, C30 N6H



Cooling System
C20 N6, C22 N6, C25 N6, C30 N6H

Item	Part No.	Description	Qty
1	A043Y907	Radiator	1
2	A041Y134	Tube, Fill	1
3	0130-3721-01	Cap, Pressure	1
4	A042V588	Hose, Coolant	1
5	A028X755	Clamp	5
6	A043U760	Hose, Coolant	1
7	A042V586	Hose, Coolant	1
8	A028X752	Clamp	1
9	A044F116	Hose	1
10	0503-0685	Clamp	2
11	A041F153	Clamp, Hose	1
12	A044E947	Bracket	1
13	A044E935	Tank, Coolant	1
14	0518-0548-08	Clamp	1
15	0815-0781	Screw, Hollow Head	6
16	0815-0857-02	Screw, Hex Head	7
17	0870-0506	Nut, Nylon Lock	2
18	A044L221	Brace, Radiator	1
19	A044L223	Brace, Radiator	1
20	0815-0858-02	Screw, Hex Flange Head	10

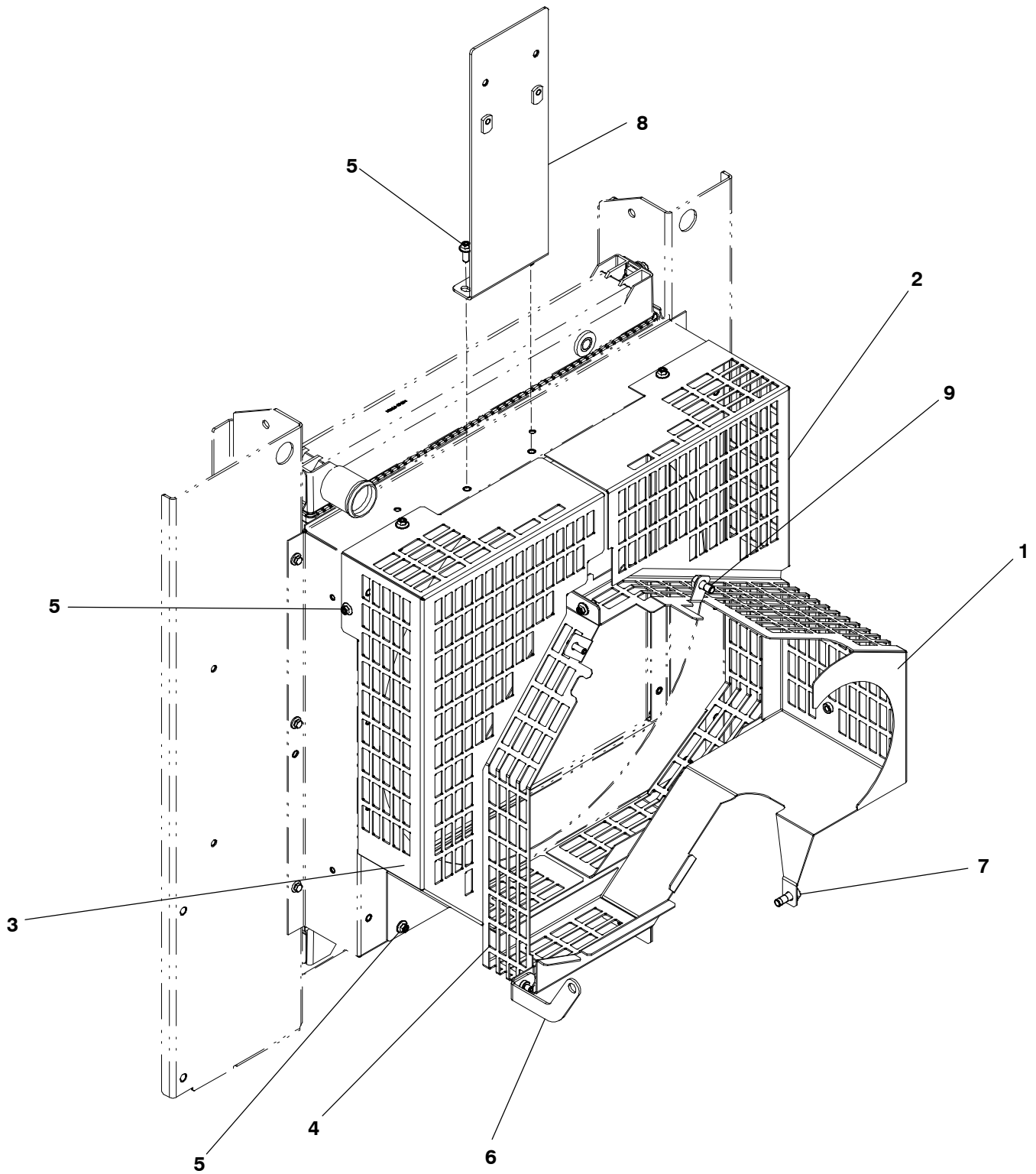
Radiator Guards – Enclosed Sets (C20 N6, C22 N6, C25 N6, C30 N6H)



Item	Part No.	Description	Qty
1	A043Y905	Guard, Radiator	1
2	A043Y845	Guard, Radiator	1
3	0815-0857-02	Screw, Hex Head	12
4	A044F084	Seal, Edge	2

This page is Intentionally blank.

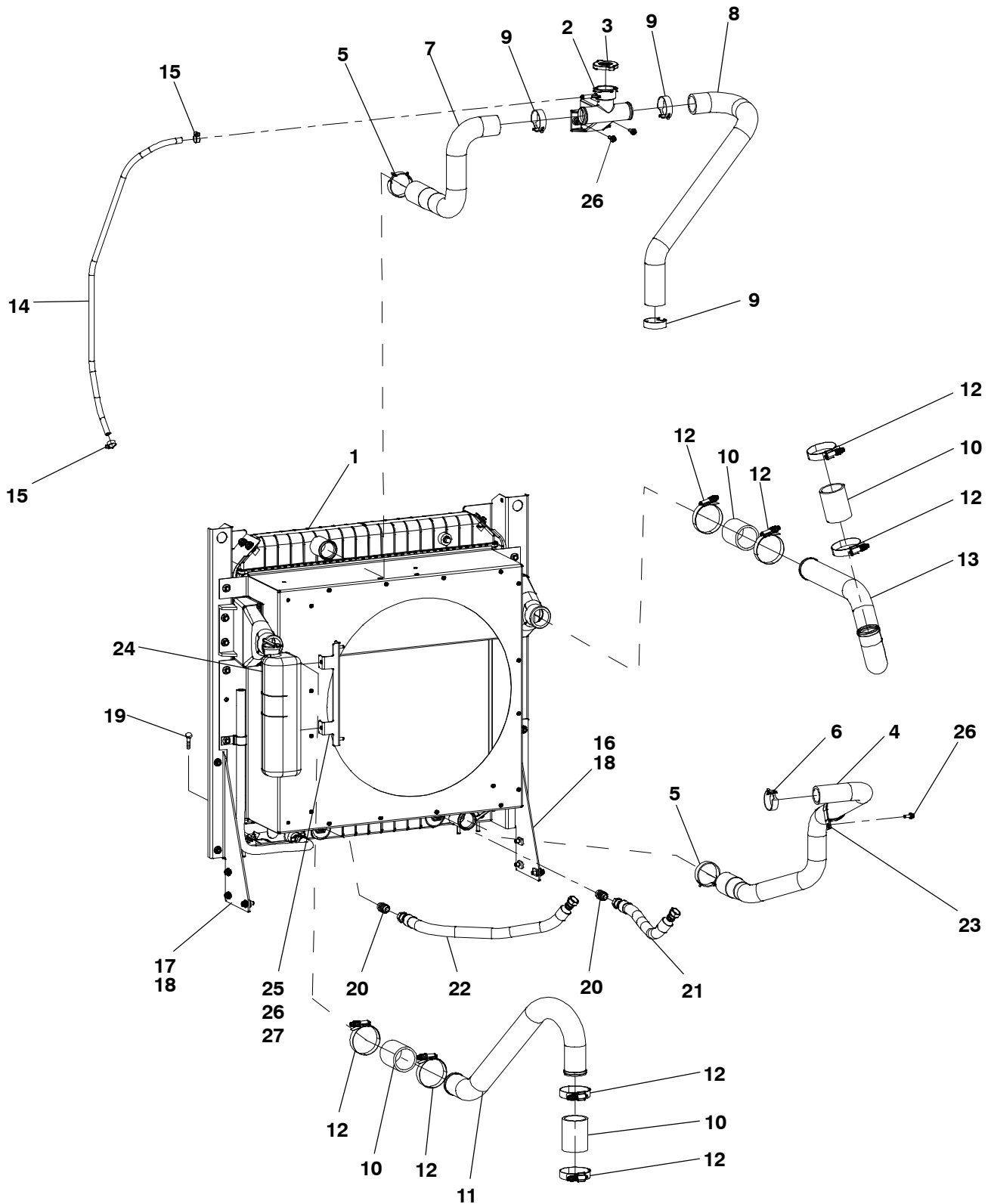
Radiator Guards – Open Sets (C20 N6, C22 N6, C25 N6, C30 N6H)



Radiator Guards – Open Sets (C20 N6, C22 N6, C25 N6, C30 N6H)

Item	Part No.	Description	Qty
1	A044A810	Guard, Fan	1
2	A044A796	Guard, Fan	1
3	A044A798	Guard, Fan	1
4	A044A792	Guard, Fan	1
5	0815-0857-02	Screw, Hex Head	12
6	A044A952	Bracket, Fan Guard	1
7	0800-6373-02	Screw, Hex Flange Head	1
8	A044L069	Bracket	1
9	0800-6373-01	Screw, Hex Flange Head	1

Cooling System C60 N6H

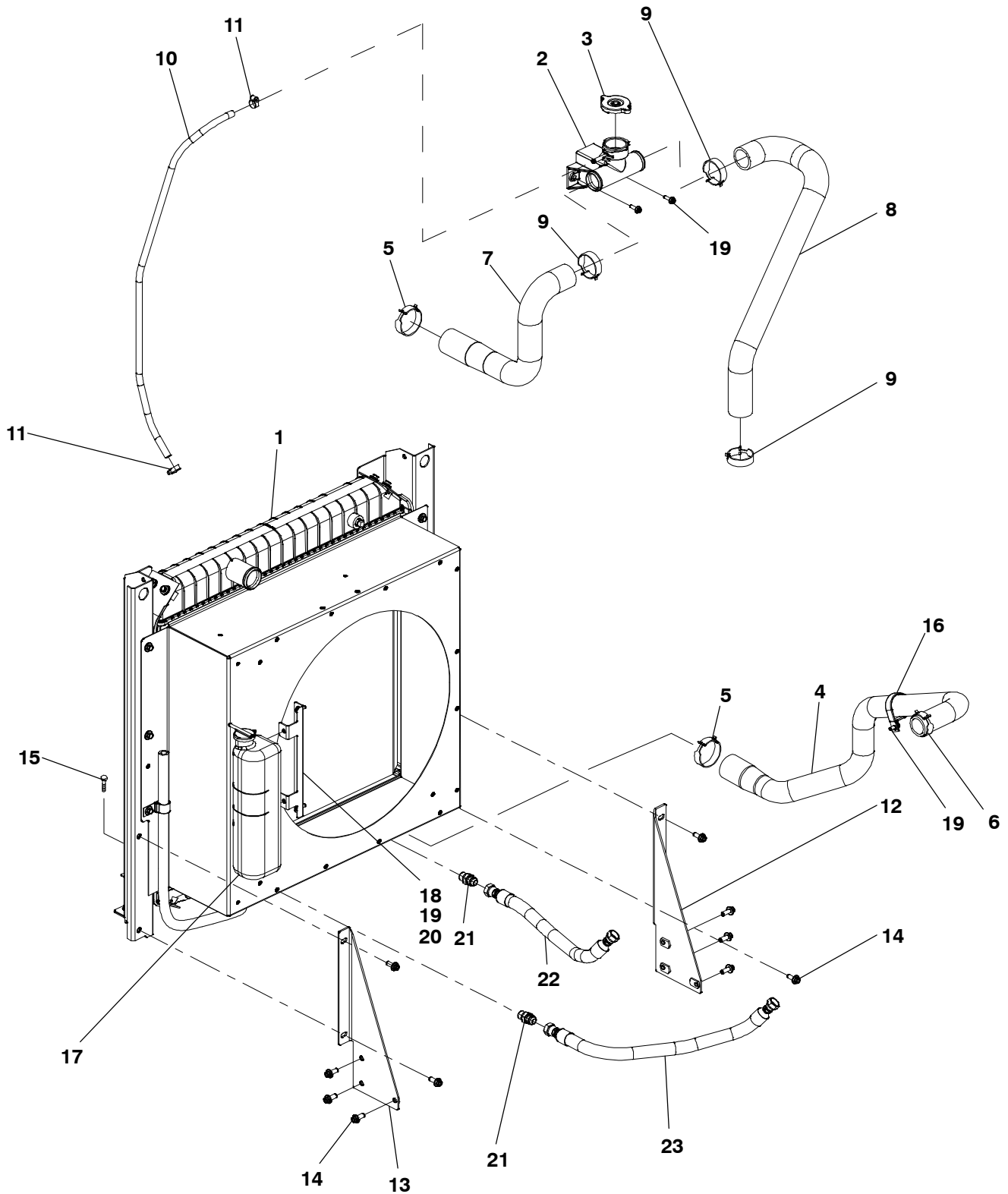


Cooling System

C60 N6H

Item	Part No.	Description	Qty
1	A043Y708	Radiator	1
2	A041Y134	Tube, Fill	1
3	0130-3721-01	Cap, Pressure	1
4	A041Y121	Hose, Coolant	1
5	A028X758	Clamp	2
6	A028X752	Clamp	1
7	A041Y123	Hose, Coolant	1
8	A041Y125	Hose, Coolant	1
9	A028X755	Clamp	3
10	A041E329	Hose, Air	4
11	A041E167	Tube, Air Inlet	1
12	0503-1872-03	Clamp, Hose	8
13	A041Y119	Tube, Air Inlet	1
14	A044F118	Hose	1
15	0503-0685	Clamp	2
16	A044L223	Brace, Radiator	1
17	A044L221	Brace, Radiator	1
18	0815-0858-02	Screw, Hex Flange Head	10
19	0815-0781	Screw, Hollow Head	4
20	A043X968	Adapter, Tube	2
21	A043G574	Hose, Oil	1
22	A043G577	Hose, Oil	1
23	A041F153	Clamp, Hose	1
24	A044E935	Tank, Coolant	1
25	A044E947	Bracket	1
26	0815-0857-02	Screw, Hex Head	7
27	0870-0506	Nut, Nylon Lock	2

Cooling System C45 N6H, C50 N6H



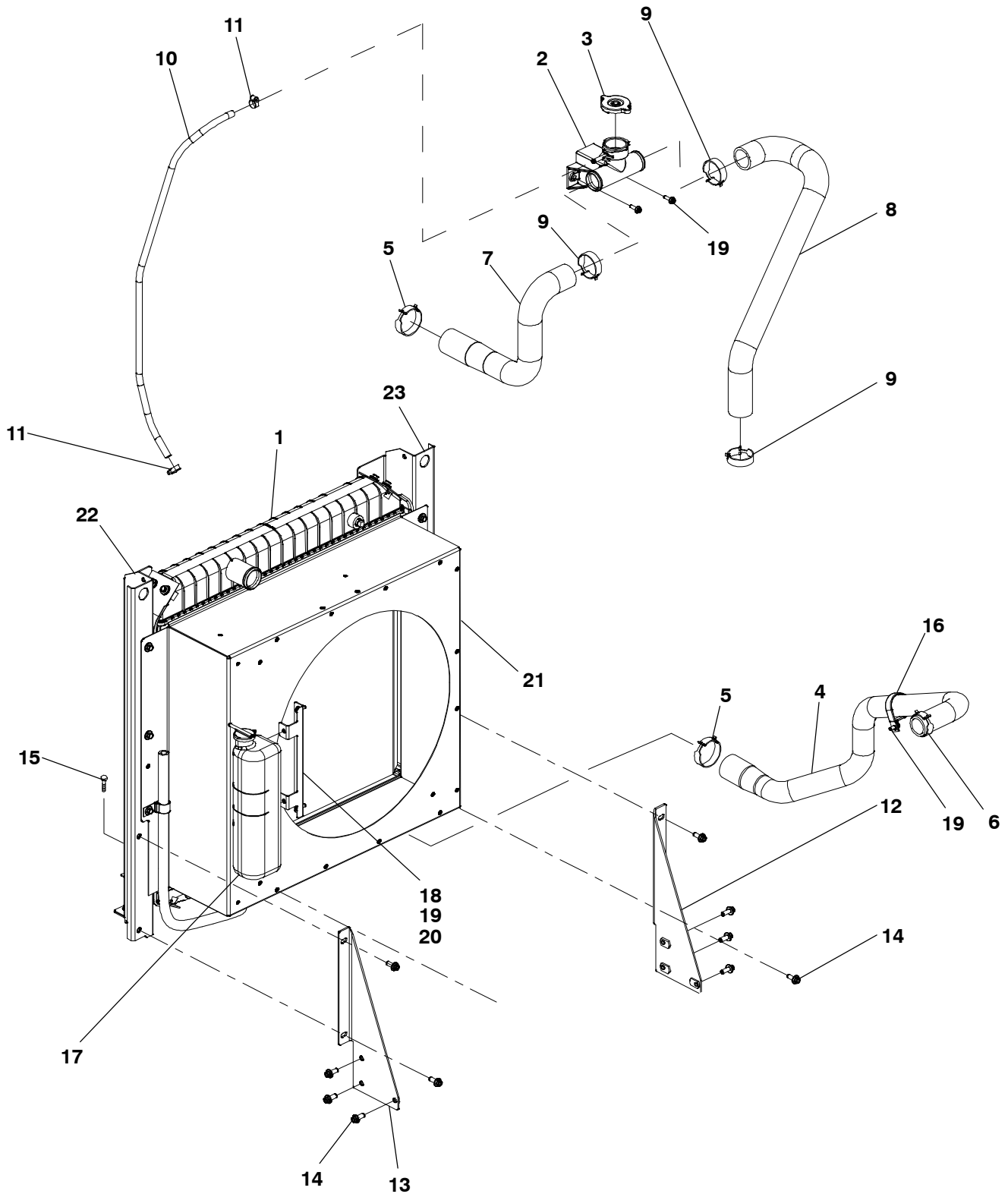
Cooling System

C45 N6H, C50 N6H

Item	Part No.	Description	Qty
1	A043Z613	Radiator	1
2	A041Y134	Tube, Fill	1
3	0130-3721-01	Cap, Pressure	1
4	A041Y121	Hose, Coolant	1
5	A028X758	Clamp	2
6	A028X752	Clamp	1
7	A041Y123	Hose, Coolant	1
8	A041Y125	Hose, Coolant	1
9	A028X755	Clamp	3
10	A044F118	Hose	1
11	0503-0685	Clamp	2
12	A044L223	Brace, Radiator	1
13	A044L221	Brace, Radiator	1
14	0815-0858-02	Screw, Hex Flange Head	10
15	0815-0781	Screw, Hollow Head	4
16	A041F153	Clamp, Hose	1
17	A044E935	Tank, Coolant	1
18	A044E947	Bracket	1
19	0815-0857-02	Screw, Hex Head	7
20	0870-0506	Nut, Nylon Lock	2
21	A043X968	Adapter, Tube	2
22	A043G574	Hose, Oil	1
23	A043G577	Hose, Oil	1

Cooling System

C30 N6, C36 N6H, C40 N6H

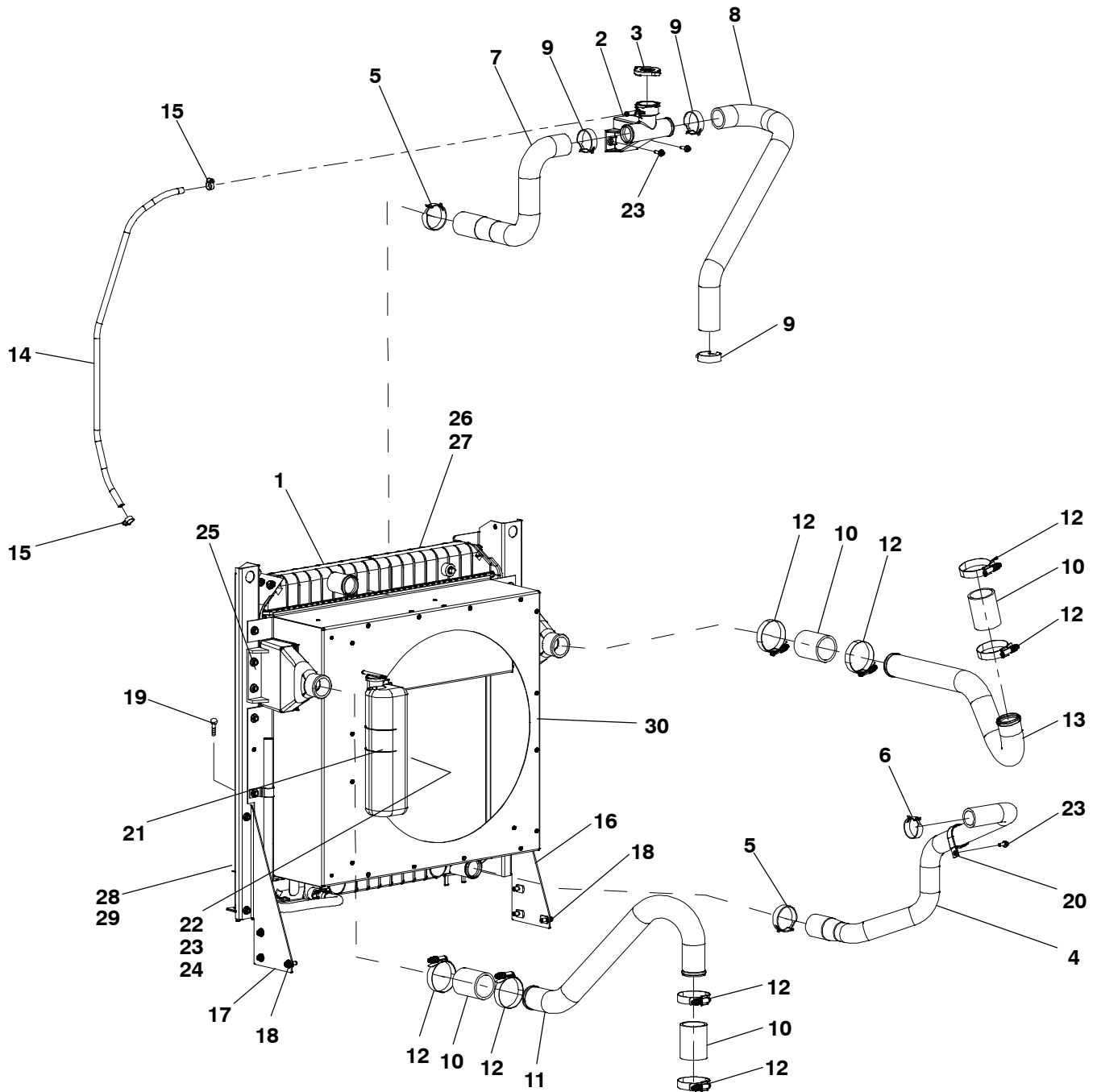


Cooling System

C30 N6, C36 N6H, C40 N6H

Item	Part No.	Description	Qty
1	A043Z615	Radiator	1
2	A041Y134	Tube, Fill	1
3	0130-3721-01	Cap, Pressure	1
4	A041Y121	Hose, Coolant	1
5	A028X758	Clamp	2
6	A028X752	Clamp	1
7	A041Y123	Hose, Coolant	1
8	A041Y125	Hose, Coolant	1
9	A028X755	Clamp	3
10	A044F118	Hose	1
11	0503-0685	Clamp	2
12	A044L223	Brace, Radiator	1
13	A044L221	Brace, Radiator	1
14	0815-0858-02	Screw, Hex Flange Head	10
15	0815-0781	Screw, Hollow Head	4
16	A041F153	Clamp, Hose	1
17	A044E935	Tank, Coolant	1
18	A044E947	Bracket	1
19	0815-0857-02	Screw, Hex Head	7
20	0870-0506	Nut, Nylon Lock	2
21	A043Y726	Shroud (Part of Item 1)	1
22	A043Y751	Support, Post (Part of Item 1)	1
23	A043Y782	Support, Post (Part of Item 1)	1

Cooling System C36 N6, C40 N6

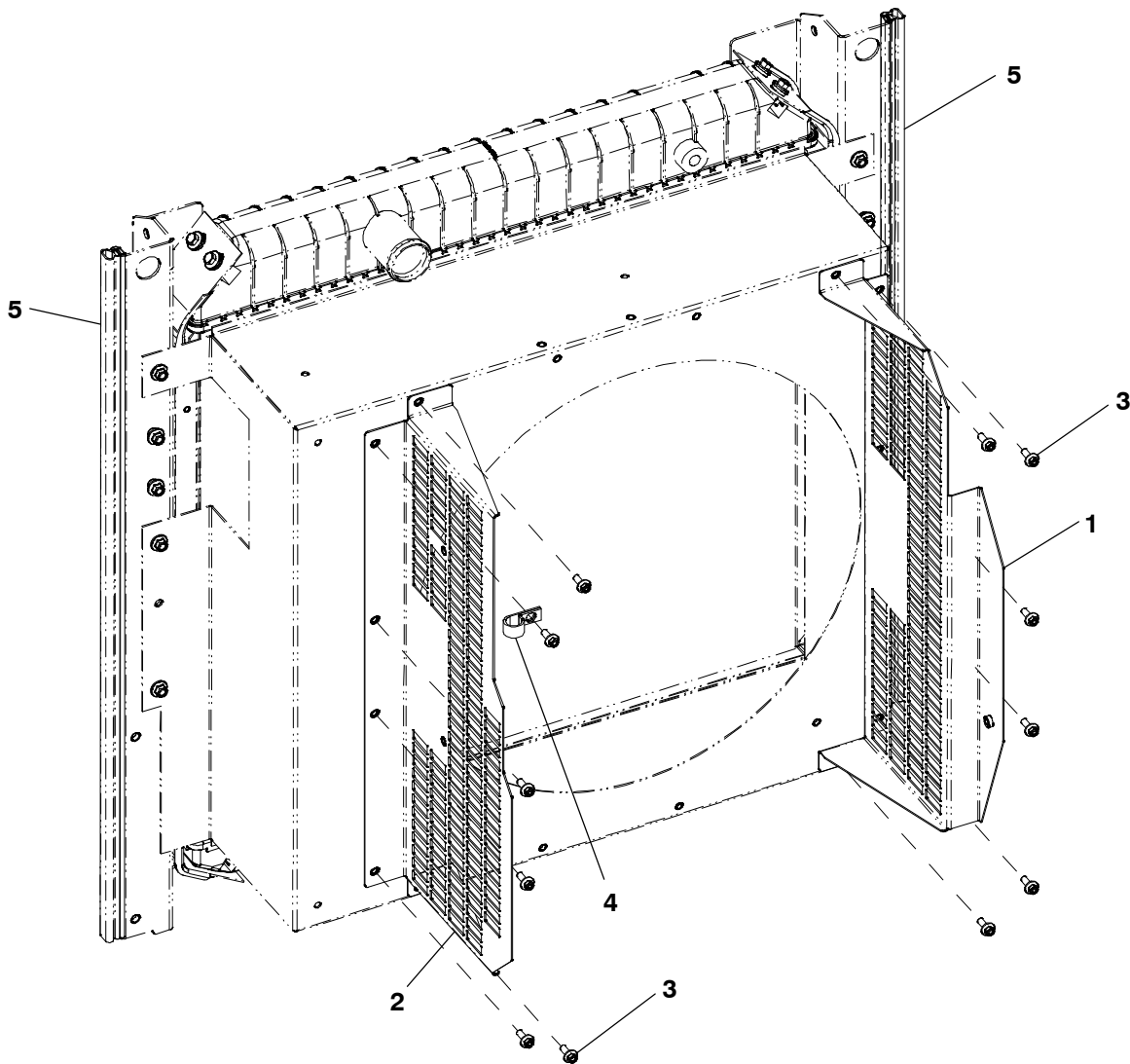


Cooling System

C36 N6, C40 N6

Item	Part No.	Description	Qty
1	A043Z617	Radiator	1
2	A041Y134	Tube, Fill	1
3	0130-3721-01	Cap, Pressure	1
4	A041Y121	Hose, Coolant	1
5	A028X758	Clamp	2
6	A028X752	Clamp	1
7	A041Y123	Hose, Coolant	1
8	A041Y125	Hose, Coolant	1
9	A028X755	Clamp	3
10	A041E329	Hose, Air	4
11	A041E167	Tube, Air Inlet	1
12	0503-1872-03	Clamp, Hose	8
13	A041Y119	Tube, Air Inlet	1
14	A044F118	Hose	1
15	0503-0685	Clamp	2
16	A044L223	Brace, Radiator	1
17	A044L221	Brace, Radiator	1
18	0815-0858-02	Screw, Hex Flange Head	10
19	0815-0781	Screw, Hollow Head	4
20	A041F153	Clamp, Hose	1
21	A044E935	Tank, Coolant	1
22	A044E947	Bracket	1
23	0815-0857-02	Screw, Hex Head	7
24	0870-0506	Nut, Nylon Lock	2
25	A042V590	Cooler, Charge Air (Part of Item 1)	2
26	A042V593	Radiator (Part of Item 1)	1
27	A042V597	Radiator (Part of Item 1)	1
28	A043Y935	Panel, Shroud – Bottom (Part of Item 1)	1
29	A043Y943	Panel, Shroud – Bottom (Part of Item 1)	1
30	A044A003	Shroud, Fan – Bottom (Part of Item 1)	1

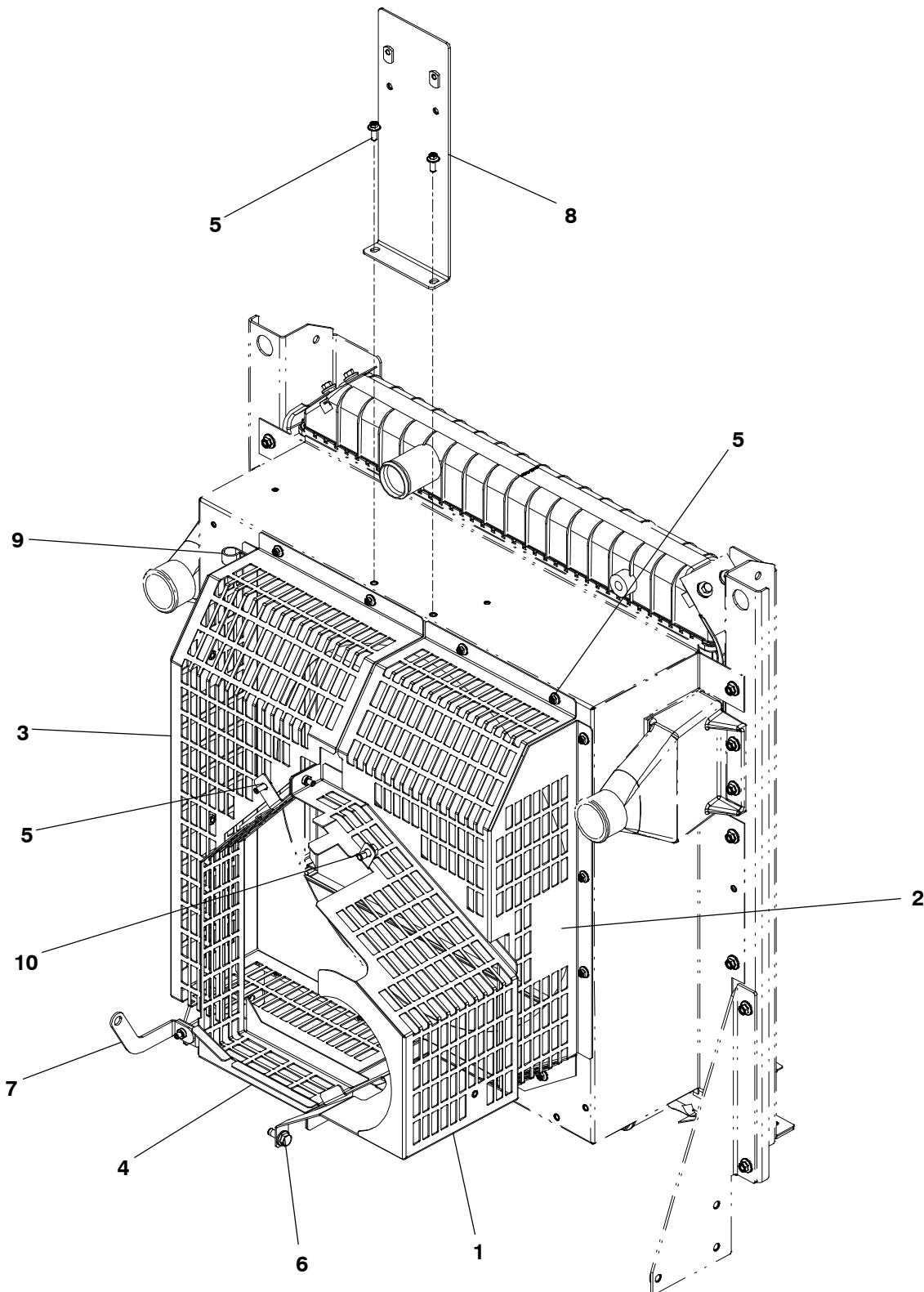
Radiator Guards – Enclosed Sets (C30 N6, C36 N6, C40 N6, C36 N6H, C40 N6H C45 N6H C50 N6H, C60 N6H)



Item	Part No.	Description	Qty
1	A043Y824	Guard, Radiator	1
2	A043Y812	Guard, Radiator	1
3	0815-0857-02	Screw, Hex Head	12
4	0518-0548-08	Clamp	1
5	A044F082	Seal, Edge	2

This page is Intentionally blank.

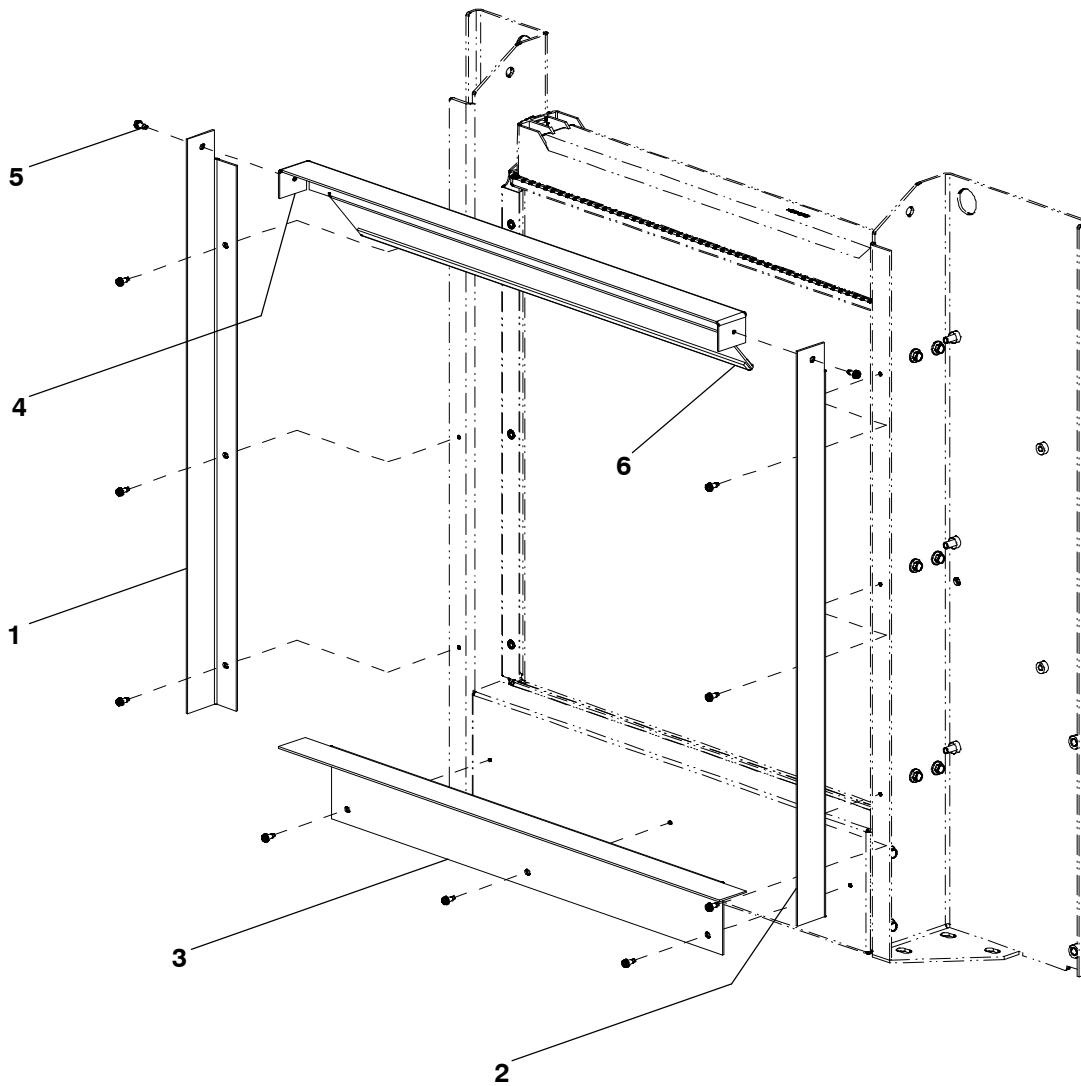
Radiator Guards – Open Sets (C30 N6, C36 N6, C40 N6, C36 N6H, C40 N6H C45 N6H C50 N6H, C60 N6H)



Radiator Guards – Open Sets (C30 N6, C36 N6, C40 N6, C36 N6H, C40 N6H C45 N6H C50 N6H, C60 N6H)

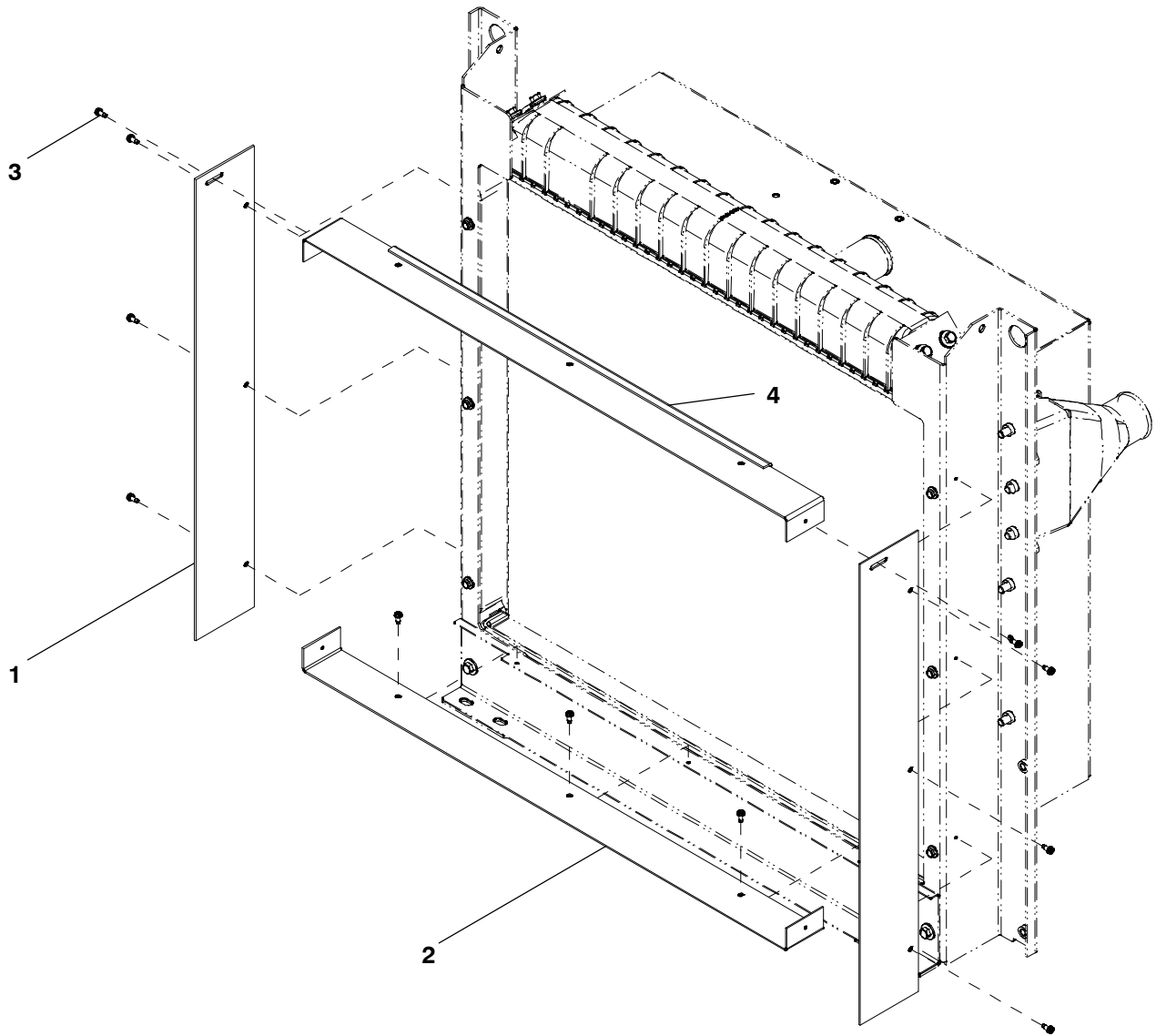
Item	Part No.	Description	Qty
1	A044A810	Guard, Fan	1
2	A044A802	Guard, Fan	1
3	A044A950	Guard, Fan	1
4	A044A792	Guard, Fan	1
5	0815-0857-02	Screw, Hex Head	21
6	0800-6373-02	Screw, Hex Flange Head	1
7	A044A952	Bracket, Fan Guard	1
8	A044L069	Bracket	1
9	0518-0548-08	Clamp	1
10	0800-6373-01	Screw, Hex Flange Head	1

Duct Adapter (C20 N6, C22 N6, C25 N6, C30 N6H)



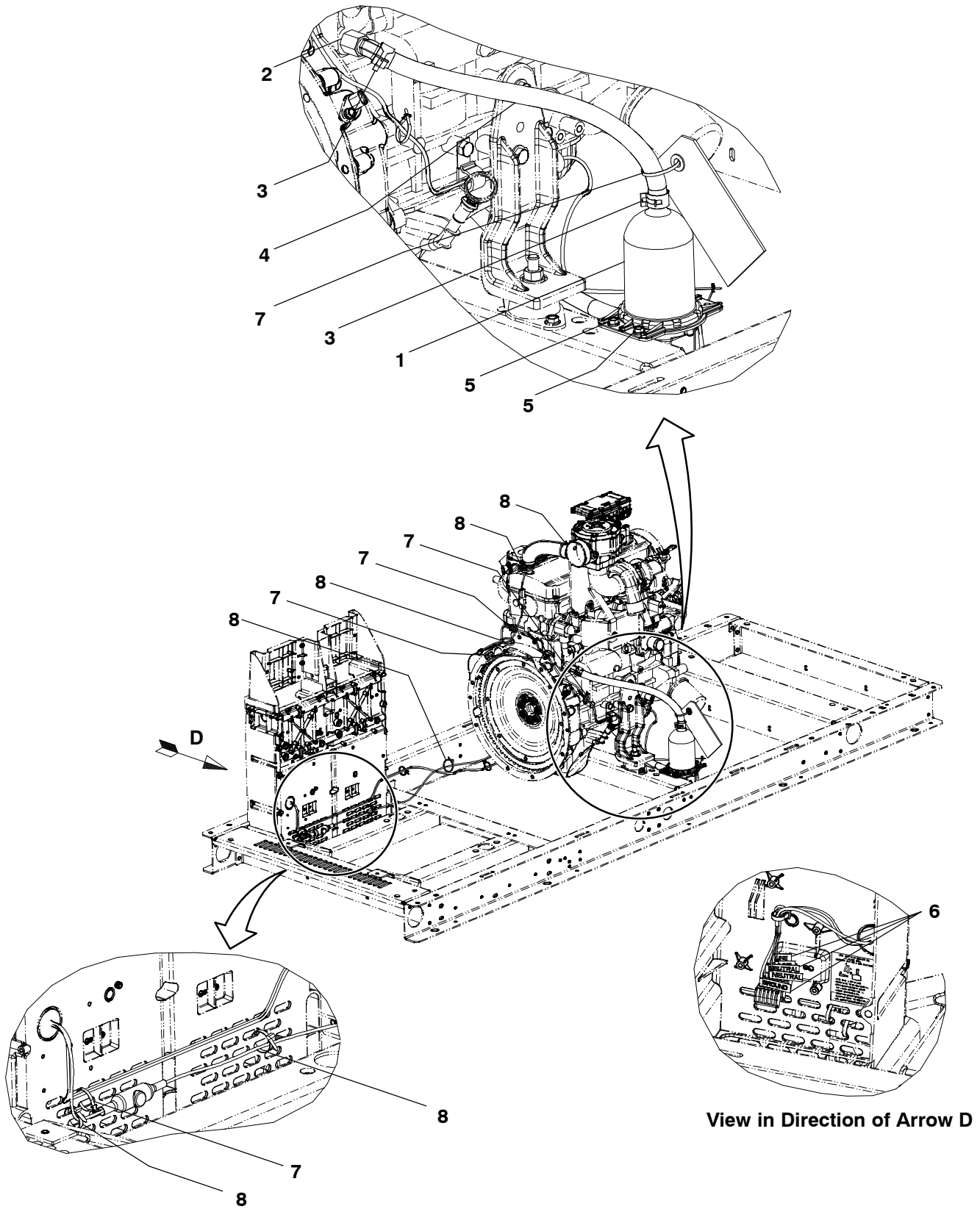
Item	Part No.	Description	Qty
1	A050F336	Adapter, Duct	1
2	A050F338	Adapter, Duct	1
3	A050D502	Adapter, Duct	1
4	A050D500	Adapter, Duct	1
5	A050H838	Screw, Thread Forming	11
6	A050R046	Seal, Edge	1

Duct Adapter (C30 N6, C36 N6, C40 N6, C36 N6H, C40 N6H, C45 N6H, C50 N6H, C60 N6H)



Item	Part No.	Description	Qty
1	A050D505	Adapter, Duct	2
2	A050D507	Adapter, Duct	2
3	A050H838	Screw, Thread Forming	11
4	A050R047	Seal, Edge	1

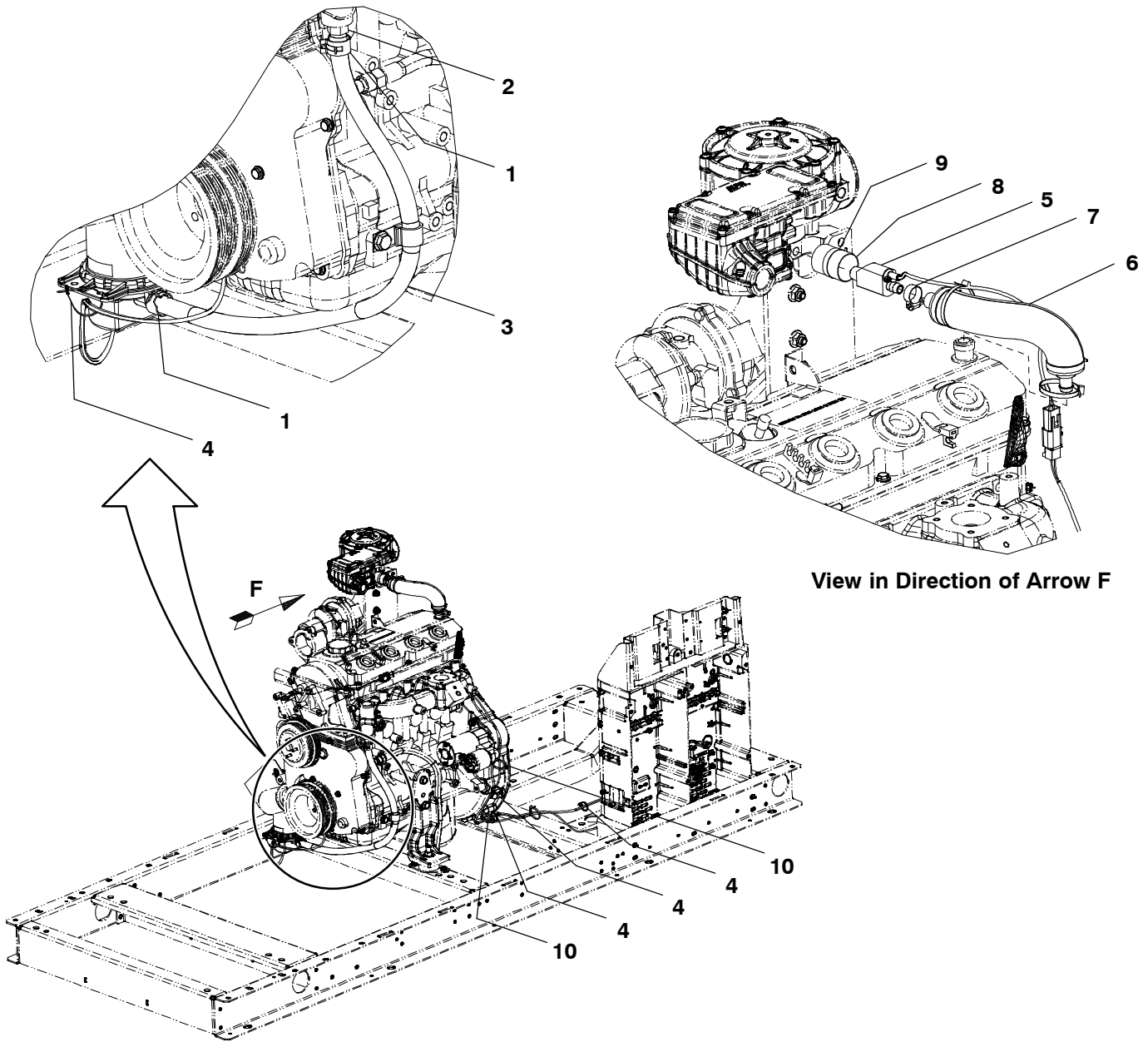
Coolant Heater – Cold Ambient (C30 N6, C36 N6, C40 N6, C60 N6H) – USA (Illustration #1)



**Coolant Heater – Cold Ambient (C30 N6, C36 N6, C40 N6, C60 N6H) – USA
(Illustration #1)**

Item	Part No.	Description	Qty
1	A042V042	Heater, Coolant	1
2	A043K676	Adapter	1
3	A028X740	Clamp	4
4	A043S938	Hose, Coolant	1
5	0815-0941-03	Screw, Hollow Head	2
6	A046G477	Label, Marking	1
7	0332-1794	Tie, Cable	9
8	0332-3388	Tie, Cable	8

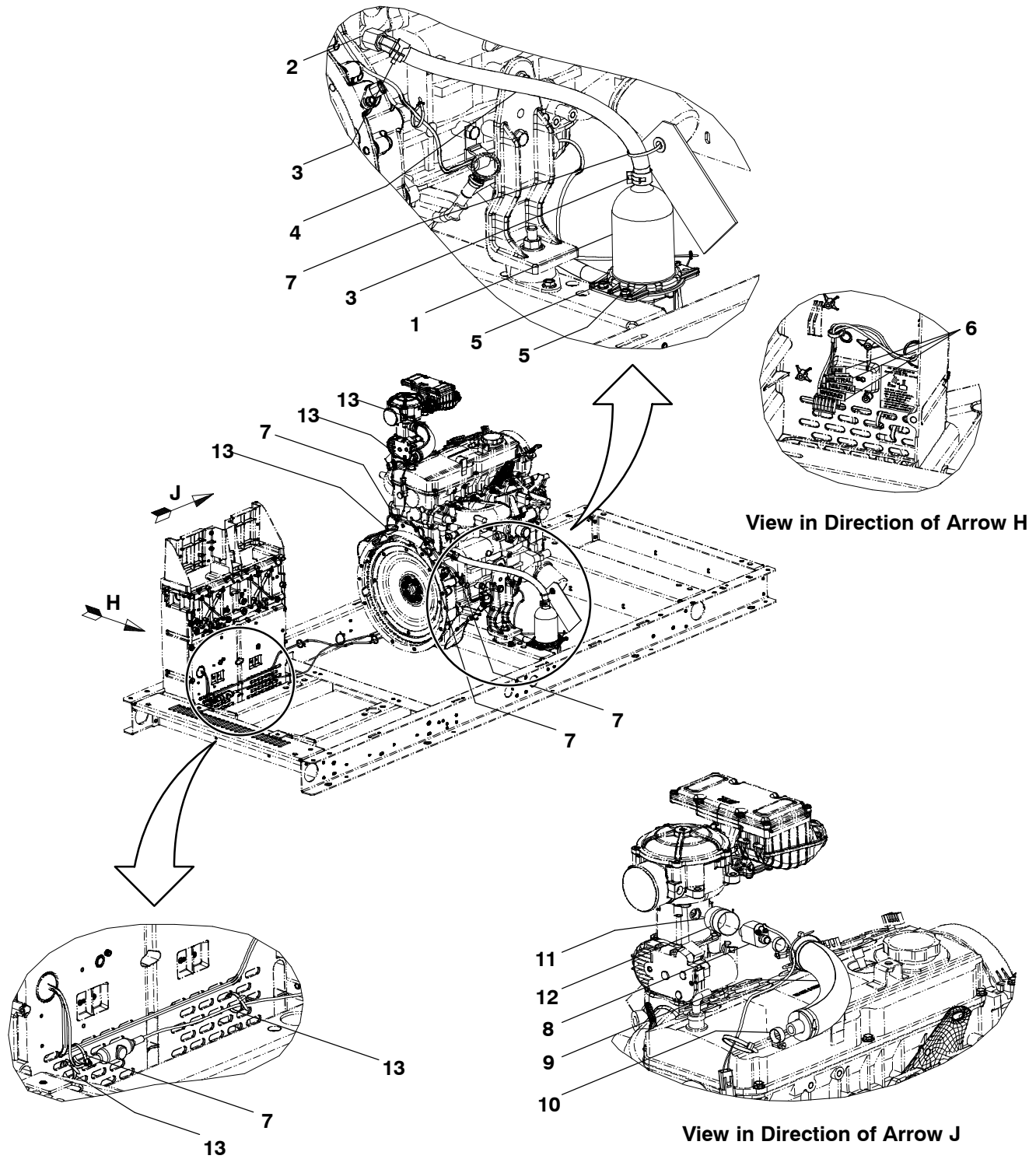
**Coolant Heater – Cold Ambient (C30 N6, C36 N6, C40 N6, C60 N6H) – USA
(Illustration #2)**



**Coolant Heater – Cold Ambient (C30 N6, C36 N6, C40 N6, C60 N6H) – USA
 (Illustration #2)**

Item	Part No.	Description	Qty
1	A028X740	Clamp	4
2	0502-0943	Fitting, Hose Connector	1
3	A043S940	Hose, Coolant	1
4	0332-1794	Tie, Cable	9
5	A051A001	Adapter, Breather	1
6		Hose, Flexible	
	A050X767	C30 N6, C36 N6, C40 N6	1
	A050X769	C60 N6H	1
7		Clamp	
	0503-0685	C30 N6, C36 N6, C40 N6	1
	0503-0685	C60 N6H	2
8	A050Y116	Sleeve, Flexible	1
9	A041K800	Clamp	1
10	0332-3388	Tie, Cable	8

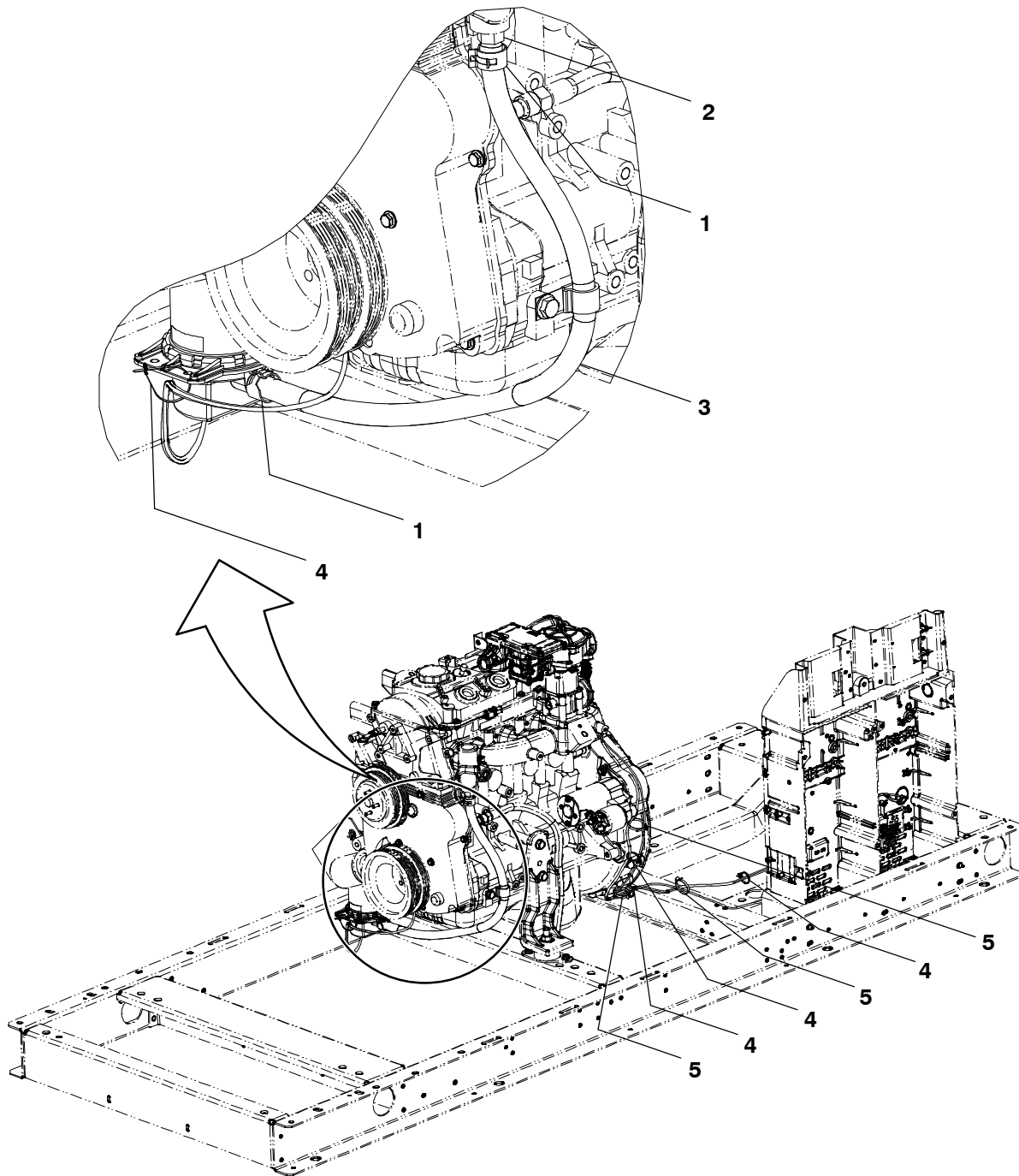
Coolant Heater – Cold Ambient (C20 N6, C22 N6, C25 N6, C30 N6H) – USA (Illustration #1)



**Coolant Heater – Cold Ambient (C20 N6, C22 N6, C25 N6, C30 N6H) – USA
(Illustration #1)**

Item	Part No.	Description	Qty
1	A042V042	Heater, Coolant	1
2	A043K676	Adapter	1
3	A028X740	Clamp	4
4	A043S938	Hose, Coolant	1
5	0815-0941-03	Screw, Hollow Head	2
6	A046G477	Label, Marking	1
7	0332-1794	Tie, Cable	9
8	A050X796	Adapter, Breather	1
9	A050X769	Hose, Flexible	1
10	0503-0685	Clamp	2
11	A050Y116	Sleeve, Flexible	1
12	A041K800	Clamp	1
13	0332-3388	Tie, Cable	8

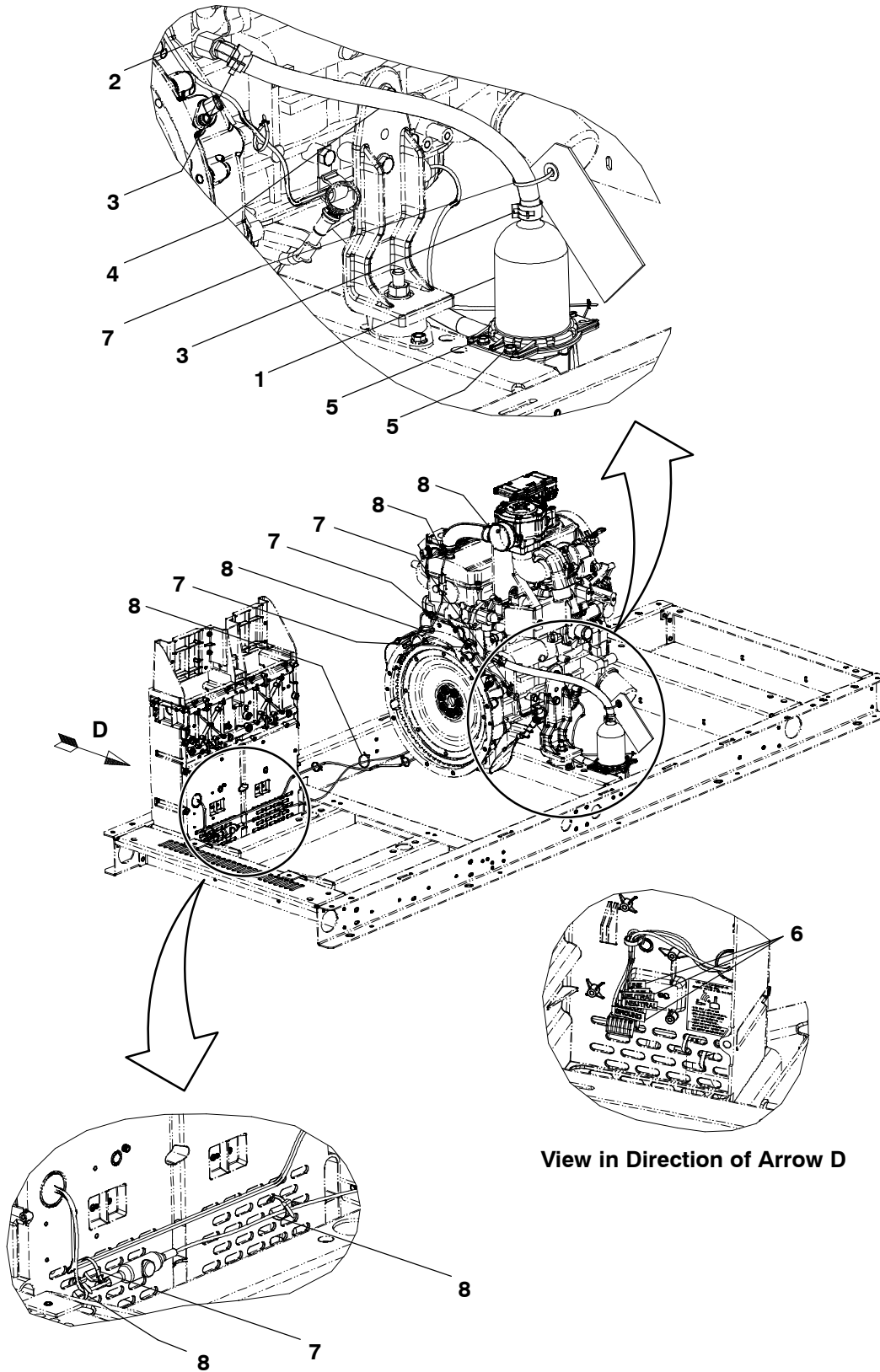
**Coolant Heater – Cold Ambient (C20 N6, C22 N6, C25 N6, C30 N6H) – USA
 (Illustration #2)**



Item	Part No.	Description	Qty
1	A028X740	Clamp	4
2	0502-0943	Fitting, Hose Connector	1
3	A043S940	Hose, Coolant	1
4	0332-1794	Tie, Cable	9
5	0332-3388	Tie, Cable	8

This page is Intentionally blank.

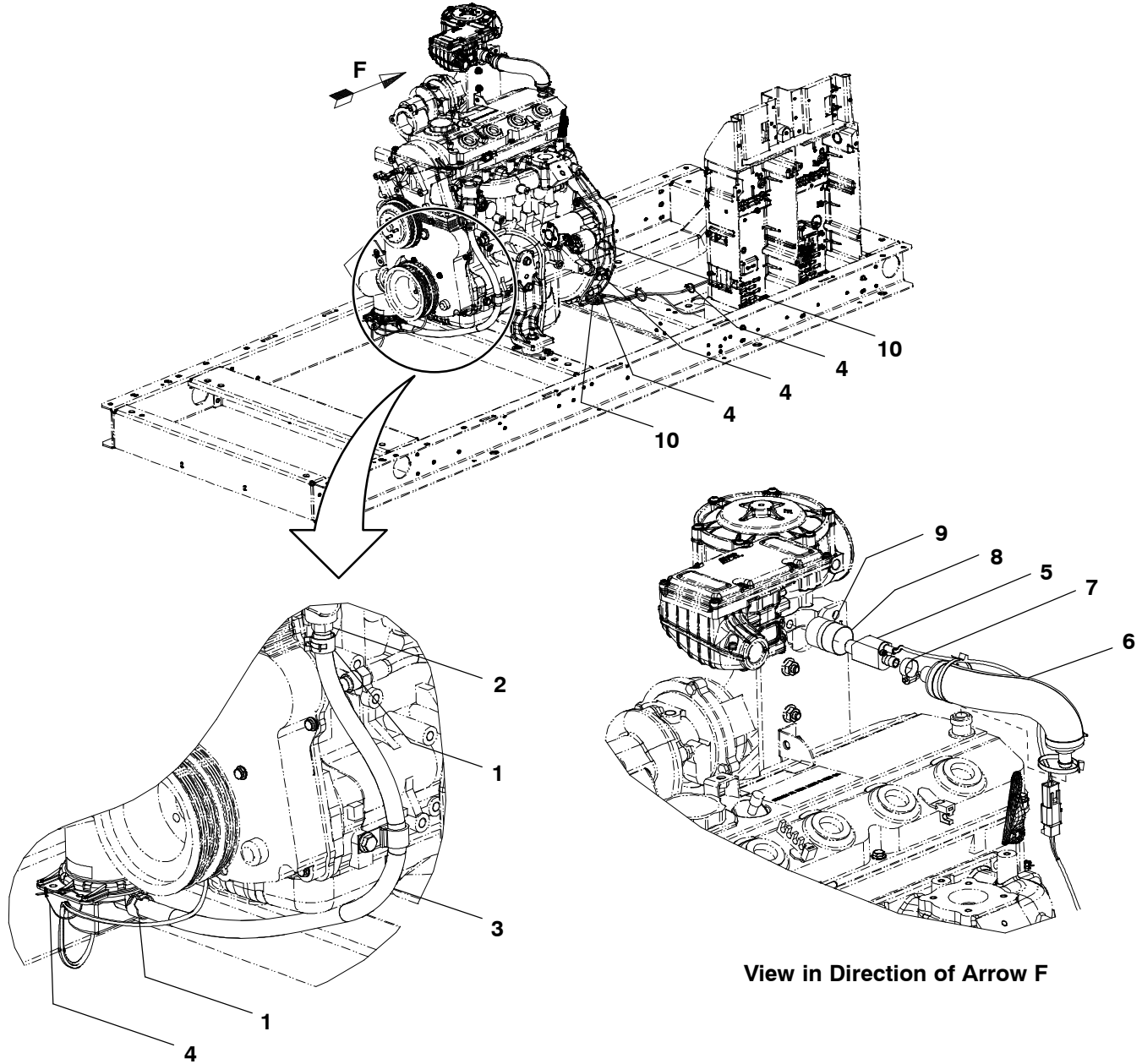
Coolant Heater – Extreme Cold Ambient (C30 N6, C36 N6, C40 N6, C60 N6H) – USA (Illustration #1)



**Coolant Heater – Extreme Cold Ambient (C30 N6, C36 N6, C40 N6, C60 N6H) – USA
(Illustration #1)**

Item	Part No.	Description	Qty
1	A051L083	Heater, Coolant	1
2	A043K676	Adapter	1
3	A028X740	Clamp	4
4	A043S938	Hose, Coolant	1
5	0815-0941-03	Screw, Hollow Head	2
6	A046G477	Label, Marking	1
7	0332-1794	Tie, Cable	9
8	0332-3388	Tie, Cable	8

**Coolant Heater – Extreme Cold Ambient (C30 N6, C36 N6, C40 N6, C60 N6H) – USA
(Illustration #2)**



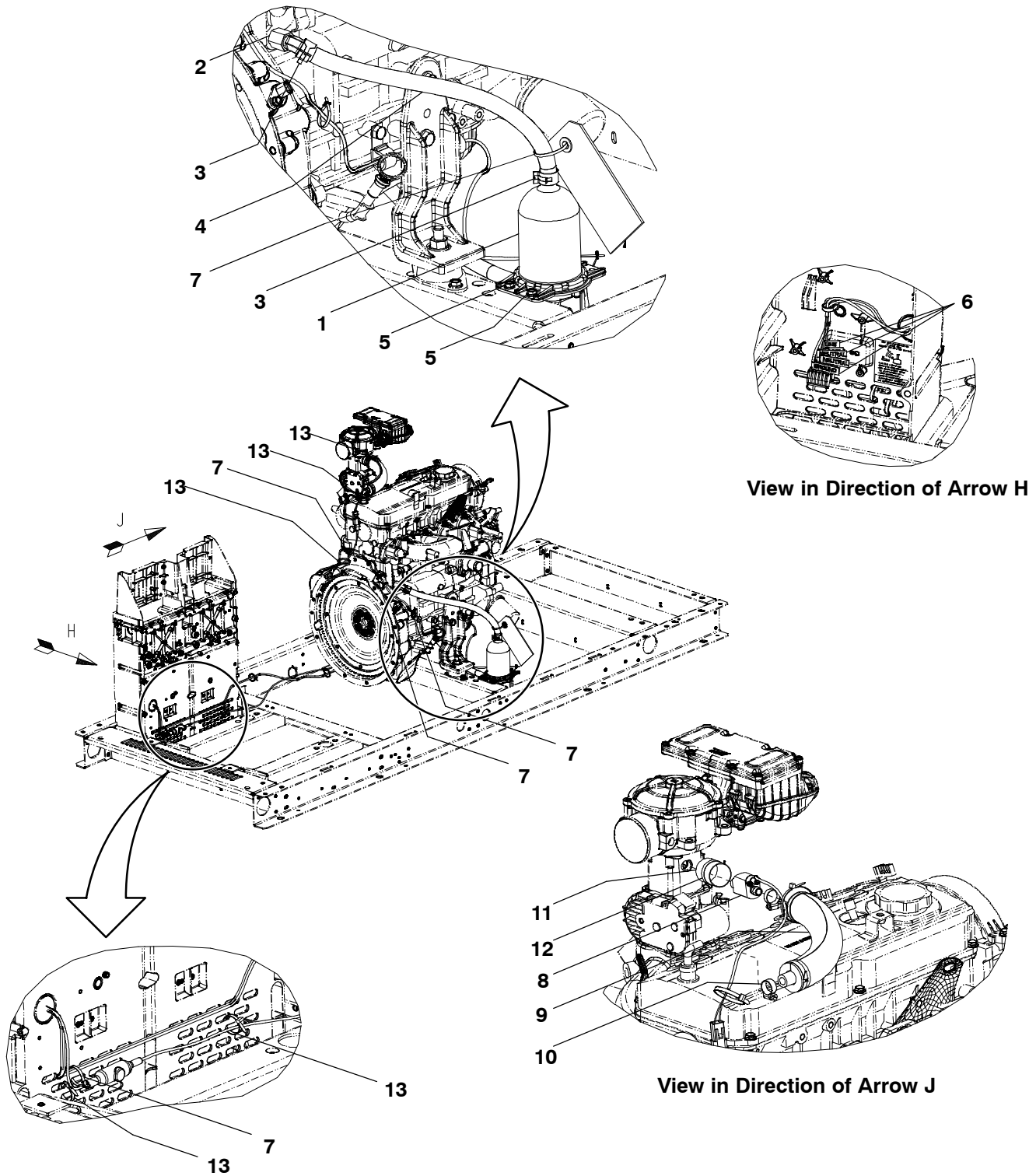
View in Direction of Arrow F

**Coolant Heater – Extreme Cold Ambient (C30 N6, C36 N6, C40 N6, C60 N6H) – USA
 (Illustration #2)**

Item	Part No.	Description	Qty
1	A028X740	Clamp	4
2	0502-0943	Fitting, Hose Connector	1
3	A043S940	Hose, Coolant	1
4	0332-1794	Tie, Cable	9
5	A051A001	Adapter, Breather	1
6		Hose, Flexible	
	A050X767	C30 N6, C36 N6, C40 N6	1
	A050X769	C60 N6H	1
7		Clamp	
	0503-0685	C30 N6, C36 N6, C40 N6	1
	0503-0685	C60 N6H	2
8	A050Y116	Sleeve, Flexible	1
9	A041K800	Clamp	1
10	0332-3388	Tie, Cable	8

Coolant Heater – Extreme Cold Ambient (C20 N6, C22 N6, C25 N6, C30 N6H, C36 N6H, C40 N6H, C45 N6H, C50 N6H) – USA

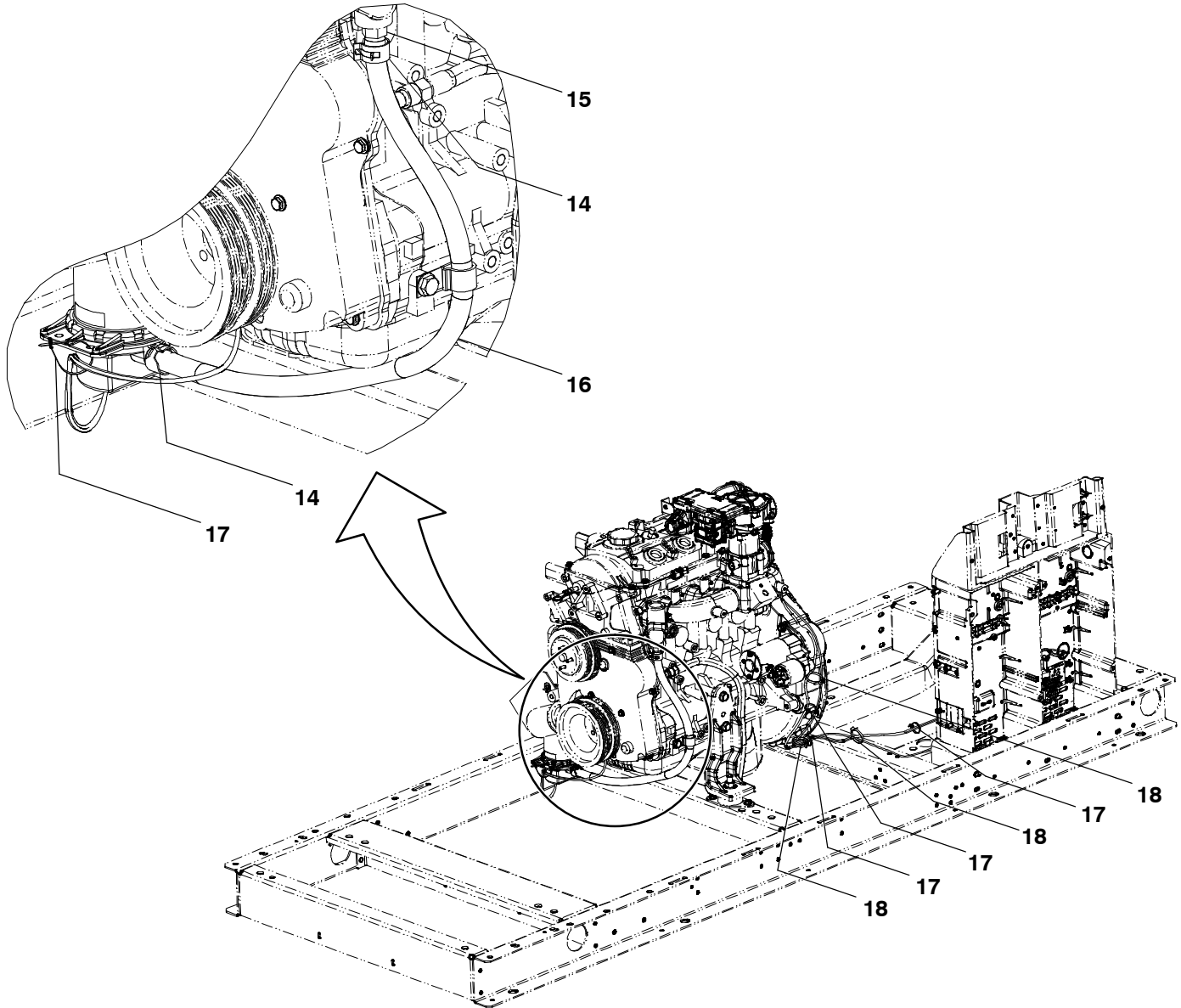
(Illustration #1)



Coolant Heater – Extreme Cold Ambient (C20 N6, C22 N6, C25 N6, C30 N6H, C36 N6H, C40 N6H, C45 N6H, C50 N6H) – USA
(Illustration #1)

Item	Part No.	Description	Qty
1	A051L083	Heater, Coolant	1
2	A043K676	Adapter	1
3	A028X740	Clamp	4
4	A043S938	Hose, Coolant	1
5	0815-0941-03	Screw, Hollow Head	2
6	A046G477	Label, Marking	1
7	0332-1794	Tie, Cable	9
8	A050X796	Adapter, Breather	1
9	A050X769	Hose, Flexible	1
10	0503-0685	Clamp	2
11	A050Y116	Sleeve, Flexible	1
12	A041K800	Clamp	1
13	0332-3388	Tie, Cable	8

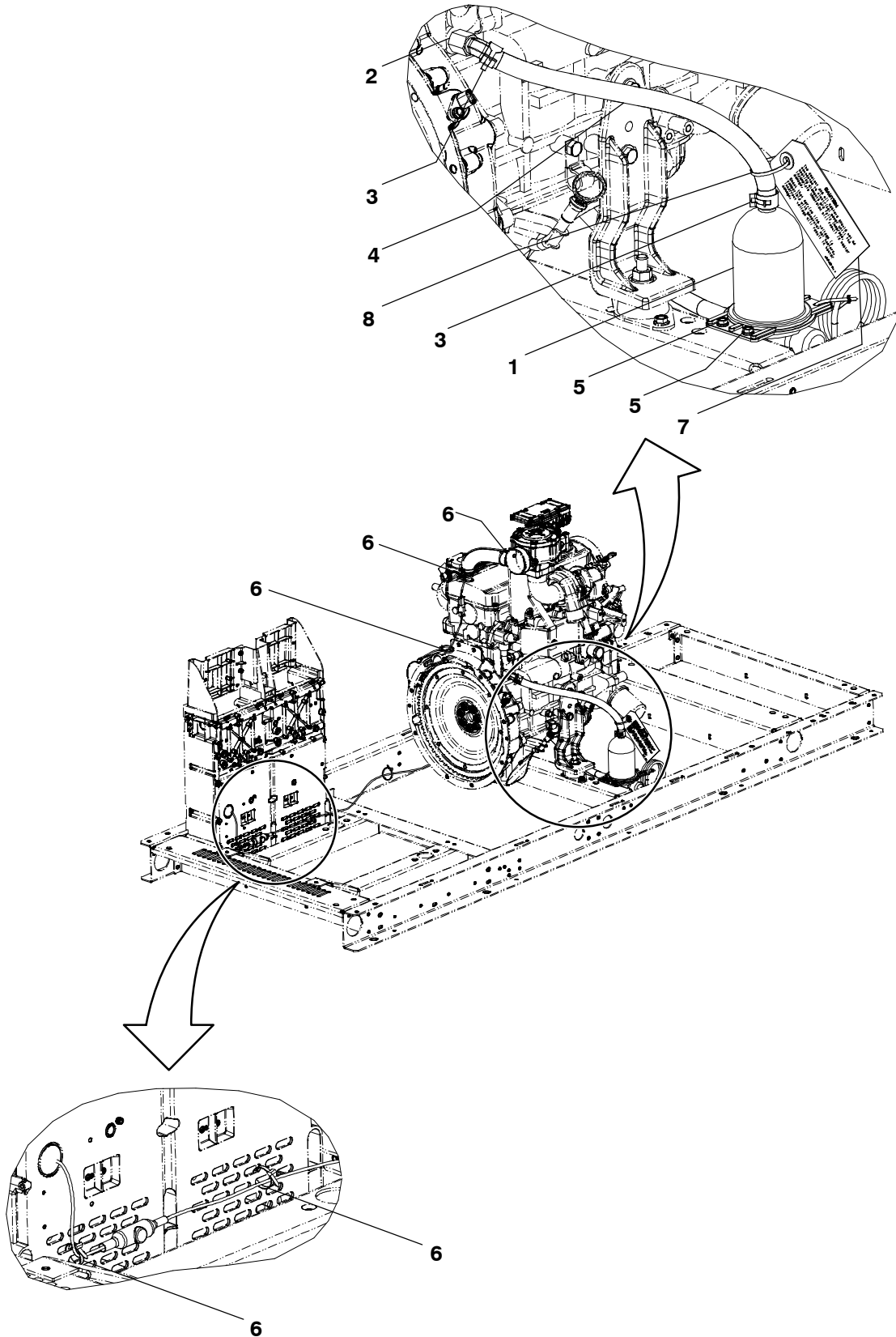
Coolant Heater – Extreme Cold Ambient (C20 N6, C22 N6, C25 N6, C30 N6H, C36 N6H, C40 N6H, C45 N6H C50 N6H)
(Illustration #2)



Item	Part No.	Description	Qty
*14	A028X740	Clamp	4
*15	0502-0943	Fitting, Hose Connector	1
*16	A043S940	Hose, Coolant	1
*17	0332-1794	Tie, Cable	9
*18	0332-3388	Tie, Cable	8

This page is Intentionally blank.

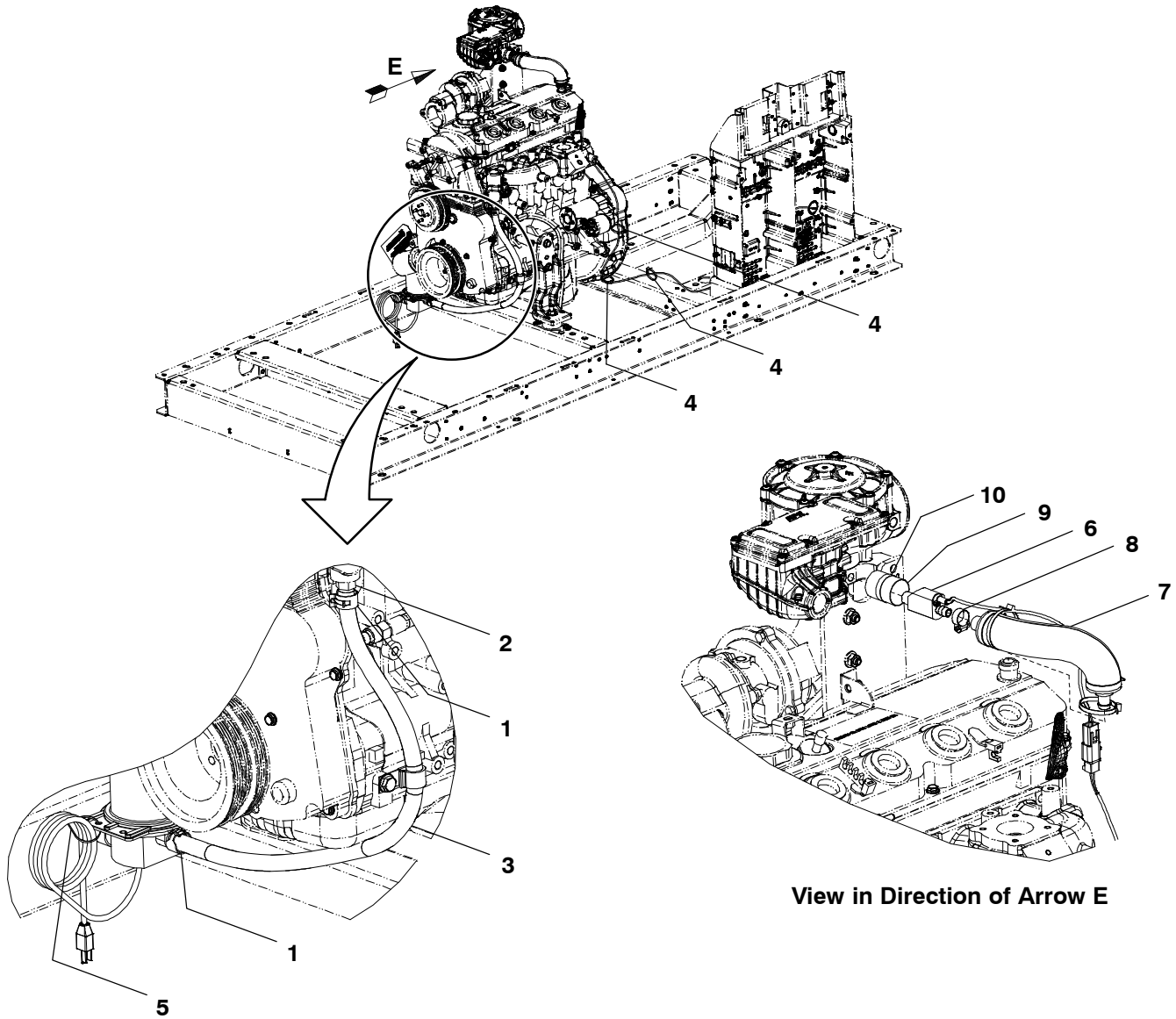
**Coolant Heater – Extreme Cold Ambient (C30 N6, C36 N6, C40 N6, C60 N6H) – Canada
(Illustration #1)**



**Coolant Heater – Extreme Cold Ambient (C30 N6, C36 N6, C40 N6, C60 N6H) – Canada
(Illustration #1)**

Item	Part No.	Description	Qty
1	A041F653	Heater, Coolant	1
2	A043K676	Adapter	1
3	A028X740	Clamp	4
4	A043S938	Hose, Coolant	1
5	0815-0941-03	Screw, Hollow Head	2
6	0332-3388	Tie, Cable	8
7	A048Y038	Tag, Caution	1
8	0332-1794	Tie, Cable	2

**Coolant Heater – Extreme Cold Ambient (C30 N6, C36 N6, C40 N6, C60 N6H) – Canada
(Illustration #2)**

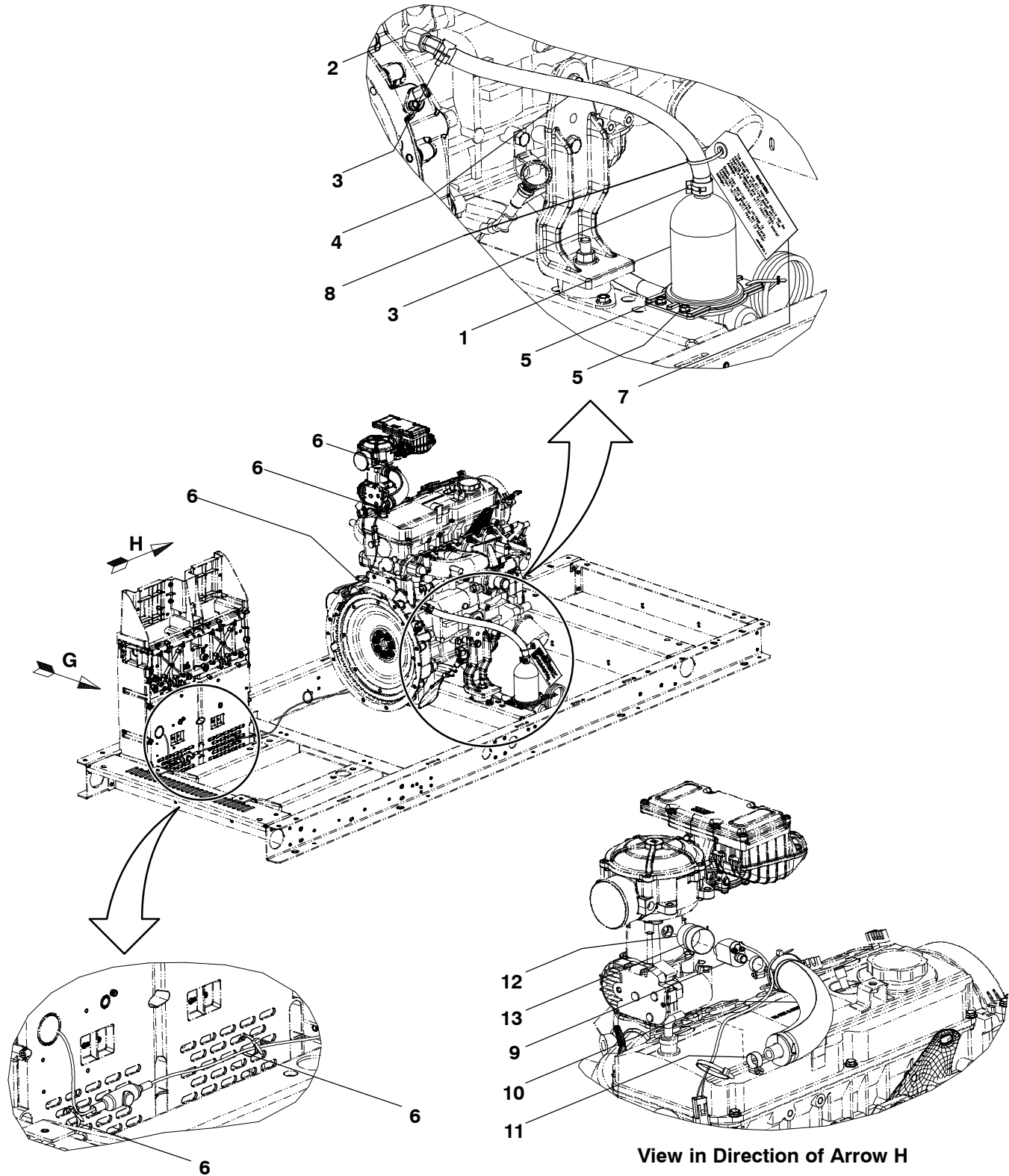


**Coolant Heater – Extreme Cold Ambient (C30 N6, C36 N6, C40 N6, C60 N6H) – Canada
 (Illustration #2)**

Item	Part No.	Description	Qty
1	A028X740	Clamp	4
2	0502-0943	Fitting, Hose Connector	1
3	A043S940	Hose, Coolant	1
4	0332-3388	Tie, Cable	8
5	0332-1794	Tie, Cable	2
6	A051A001	Adapter, Breather	1
7		Hose, Flexible	
	A050X767	C30 N6, C36 N6, C40 N6	1
	A050X769	C60 N6H	1
8		Clamp	
	0503-0685	C30 N6, C36 N6, C40 N6	1
	0503-0685	C60 N6H	2
9	A050Y116	Sleeve, Flexible	1
10	A041K800	Clamp	1

Coolant Heater – Extreme Cold Ambient (C20 N6, C22 N6, C25 N6, C30 N6H, C36 N6H, C40 N6H, C45 N6H, C50 N6H) – Canada

(Illustration #1)

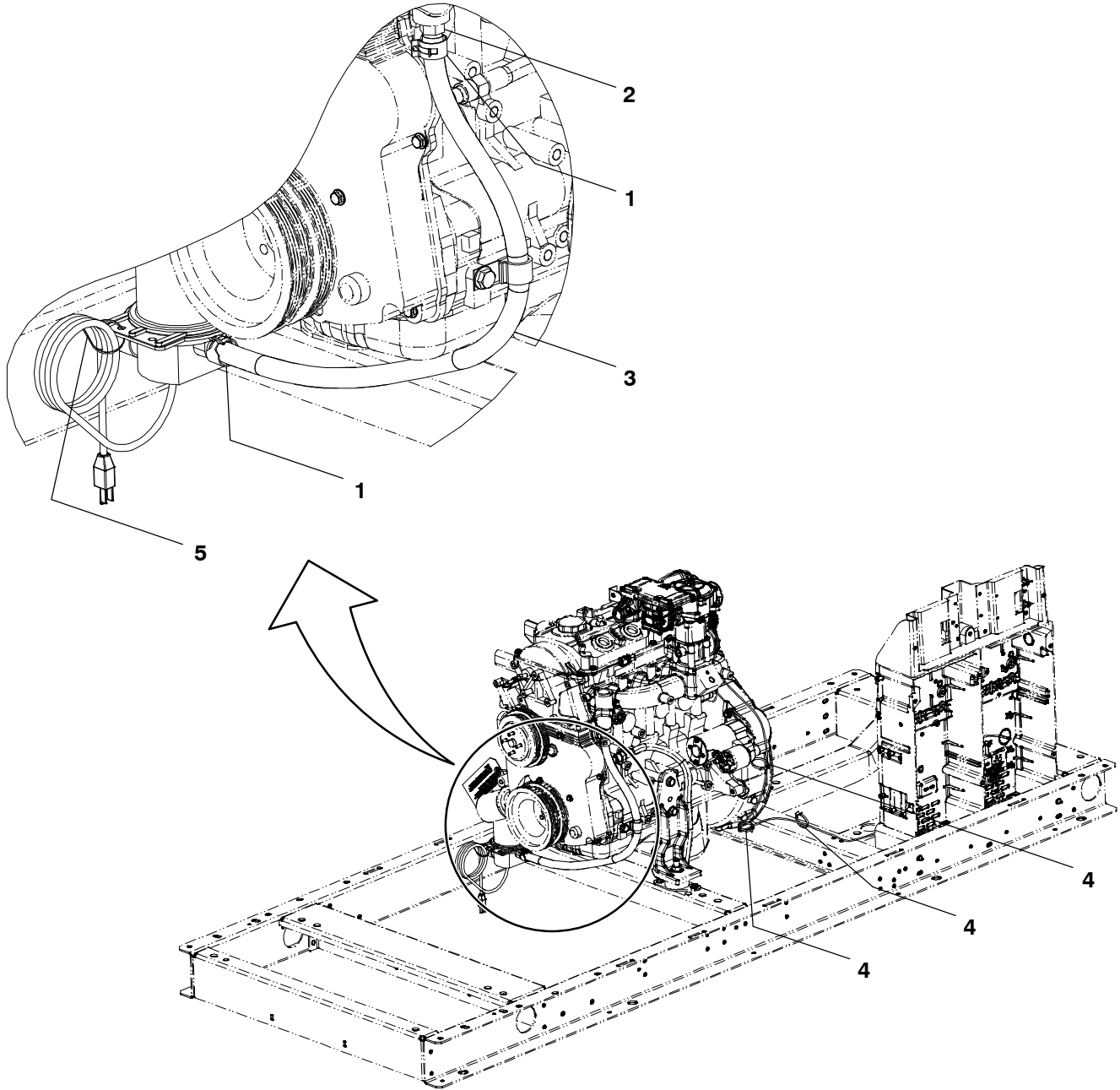


**Coolant Heater – Extreme Cold Ambient (C20 N6, C22 N6, C25 N6, C30 N6H, C36 N6H, C40 N6H, C45 N6H, C50 N6H) – Canada
(Illustration #1)**

Item	Part No.	Description	Qty
1	A041F653	Heater, Coolant	1
2	A043K676	Adapter	1
3	A028X740	Clamp	4
4	A043S938	Hose, Coolant	1
5	0815-0941-03	Screw, Hollow Head	2
6	0332-3388	Tie, Cable	8
7	A048Y038	Tag, Caution	1
8	0332-1794	Tie, Cable	2
9	A050X796	Adapter, Breather	1
10	A050X769	Hose, Flexible	1
11	0503-0685	Clamp	2
12	A050Y116	Sleeve, Flexible	1
13	A041K800	Clamp	1

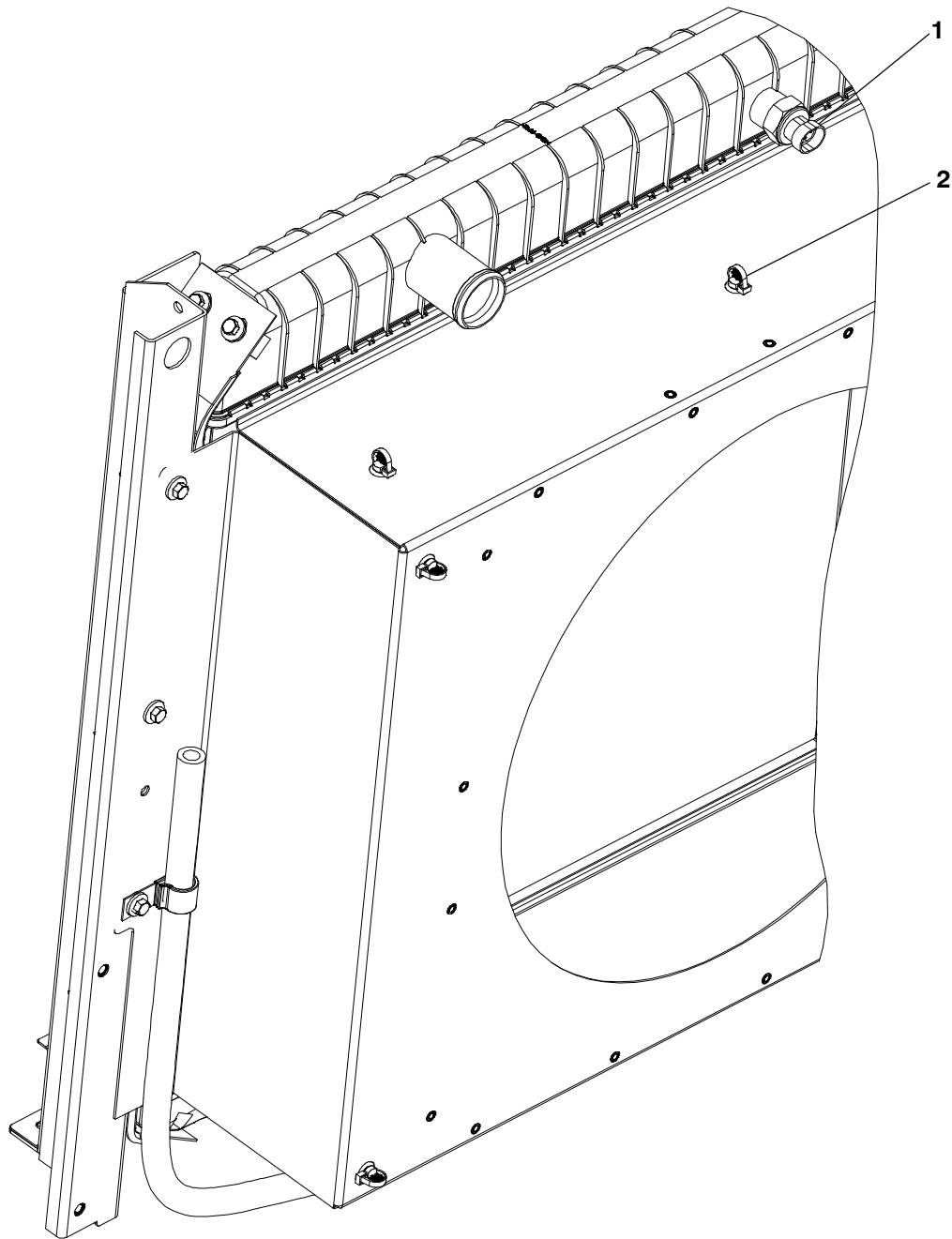
Coolant Heater – Extreme Cold Ambient (C20 N6, C22 N6, C25 N6, C30 N6H, C36 N6H, C40 N6H, C45 N6H, C50 N6H) – Canada

(Illustration #2)



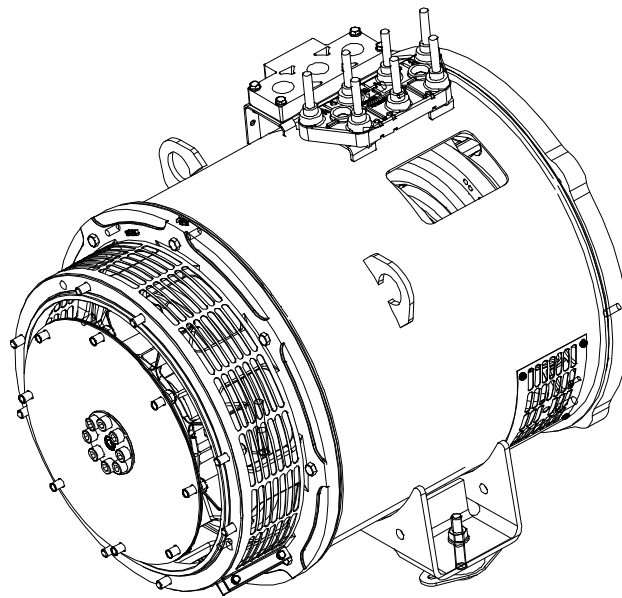
Item	Part No.	Description	Qty
1	A028X740	Clamp	4
2	0502-0943	Fitting, Hose Connector	1
3	A043S940	Hose, Coolant	1
4	0332-3388	Tie, Cable	8
5	0332-1794	Tie, Cable	2

Low Coolant Sensor



Item	Part No.	Description	Qty
1	A055G562	Sender, Low Coolant	1
2	A044D694	Tie, Cable	4

Generator – Complete



Item	Part No.	Description	Qty
		60Hz, 6L, 480/277V, 120C, 40C Ambient	
	A045L883	C20 N6	
	A045L887	C25 N6, C22 N6	
	A045L891	C30 N6	
	A045L933	C36 N6	
	A045L938	C40 N6	
	A045L946	C30 N6H	
	A045L950	C36 N6H	
	A045L953	C40 N6H	
	A045L955	C45 N6H, C50 N6H	
	A045L959	C60 N6H	
		60Hz, 12L, 208 or 240V L-L, 120C, 40C Ambient	
	A045L885	C20 N6	
	A045L889	C25 N6, C22 N6	
	A045L931	C30 N6	
	A045L935	C36 N6	
	A045L940	C40 N6	
	A045L948	C30 N6H	
	A045L951	C36 N6H	
	A045L954	C40 N6H	
	A045L956	C45 N6H, C50 N6H	
	A045L958	C60 N6H	
		Continued...	

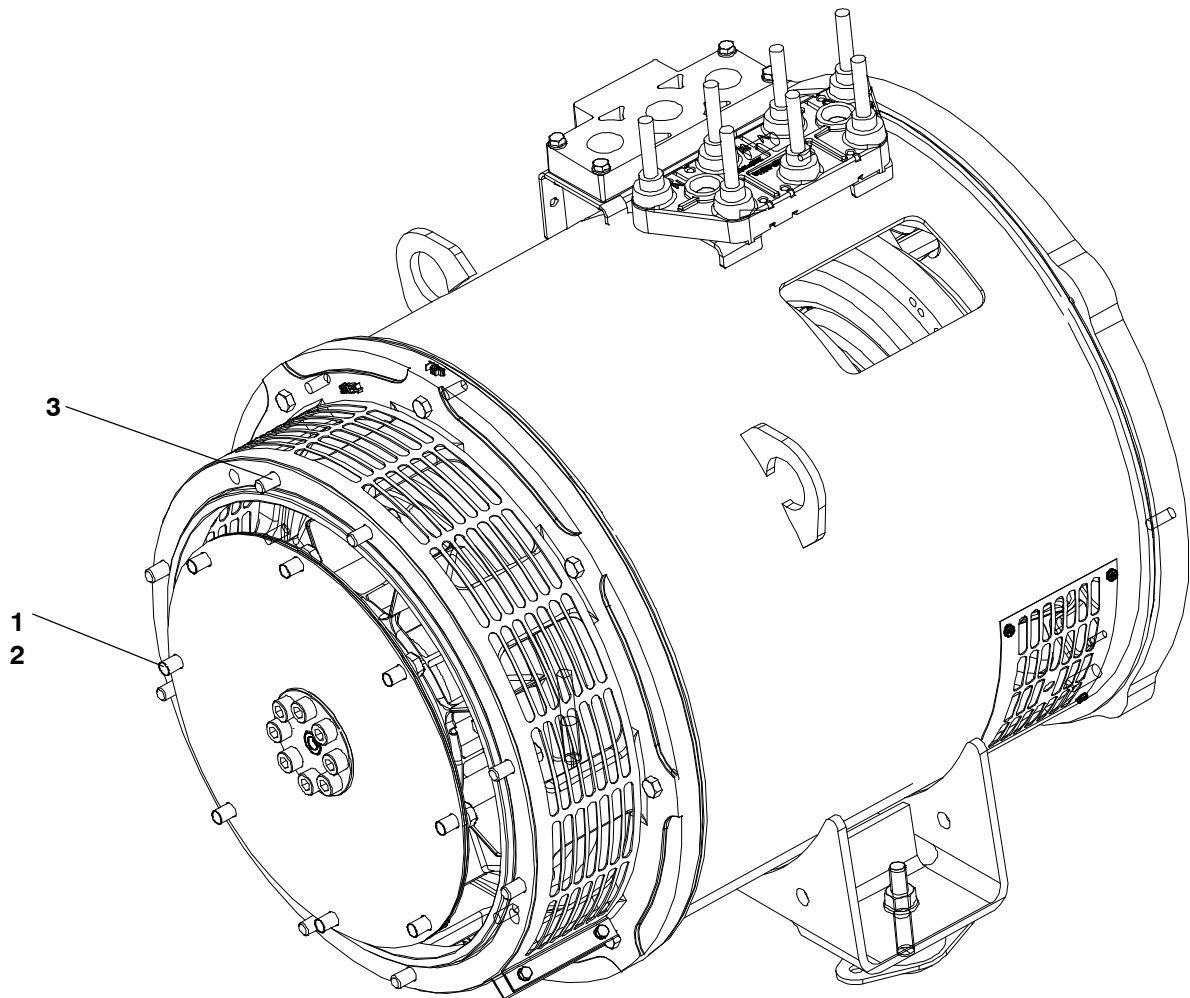
Generator – Complete

Item	Part No.	Description	Qty
		Continued...	
		60Hz, 4L, 240/120V, 1Ph, 120C, 40C Ambient	
	A045L881	C20 N6	
	A045L886	C25 N6, C22 N6	
	A045L890	C30 N6	
	A045L932	C36 N6	
	A045L937	C40 N6	
	A045L945	C30 N6H	
	A045L949	C36 N6H	
	A045L952	C40 N6H	
	A045L957	C45 N6H, C50 N6H, C60 N6H	
		60Hz, 6L, 600/347V, 120C, 40C Ambient	
	A045L884	C20 N6	
	A045L888	C25 N6, C22 N6	
	A045L930	C30 N6	
	A045L934	C36 N6	
	A045L939	C40 N6	
		60Hz, 6L, 480/277V, 120C, 40C Ambient, IMS	
	A045L887	C20 N6	
	A045L891	C25 N6	
	A045L933	C30 N6	
	A045L938	C36 N6	
	A045L942	C40 N6	
	A045L950	C30 N6H	
	A045L953	C36 N6H	
	A045L955	C40 N6H	
	A045L959	C45 N6H, C50 N6H	
		60Hz, 12L, 208 or 240V L-L, 120C, 40C Ambient, IMS	
	A045L889	C20 N6	
	A045L931	C25 N6	
	A045L935	C30 N6	
	A045L940	C36 N6	
	A045L944	C40 N6	
	A045L951	C30 N6H	
	A045L954	C36 N6H	
	A045L956	C40 N6H	
	A045L958	C45 N6H, C50 N6H	
		Continued...	

Generator – Complete

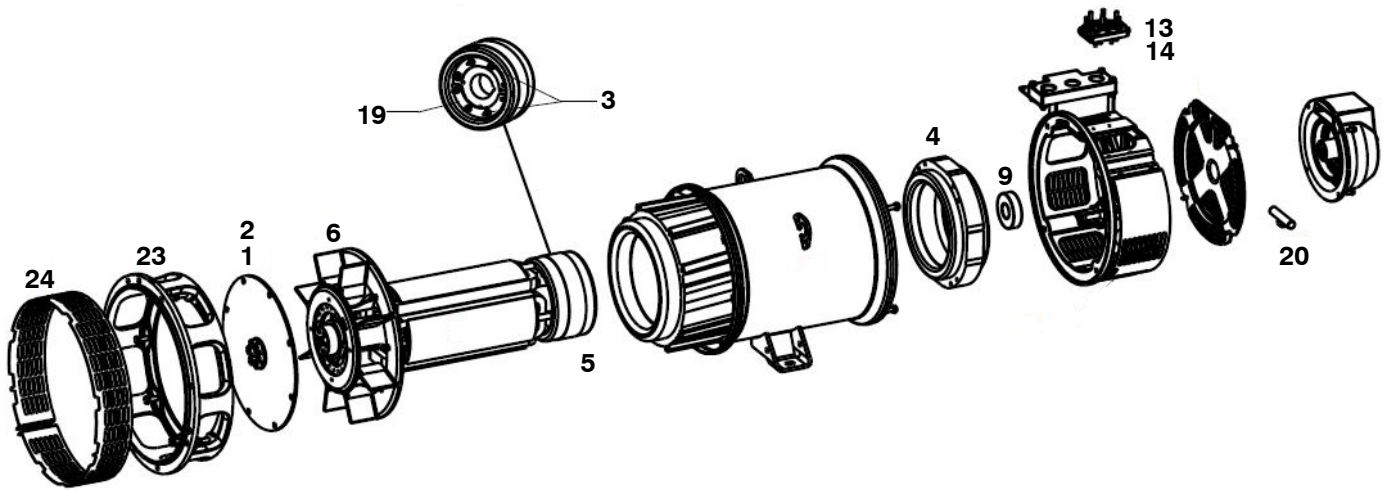
Item	Part No.	Description	Qty
		Continued...	
		60Hz, 4L, 240/120V, 1Ph, 120C, 40C Ambient, IMS	
	A045L886	C20 N6	
	A045L890	C25 N6	
	A045L932	C30 N6	
	A045L937	C36 N6	
	A045L952	C36 N6H	
	A045L957	C40 N6H	
		60Hz, 6L, 600/347V, 120C, 40C Ambient, IMS	
	A045L888	C20 N6	
	A045L930	C25 N6	
	A045L934	C30 N6	
	A045L939	C36 N6	
	A045L943	C40 N6	

Generator Fasteners



Item	Part No.	Description	Qty
1	A046A715	Washer, Flat	8
2	0800-2085	Screw, Hex Head	8
3	A044B045	Screw, Hex Flange Head	8

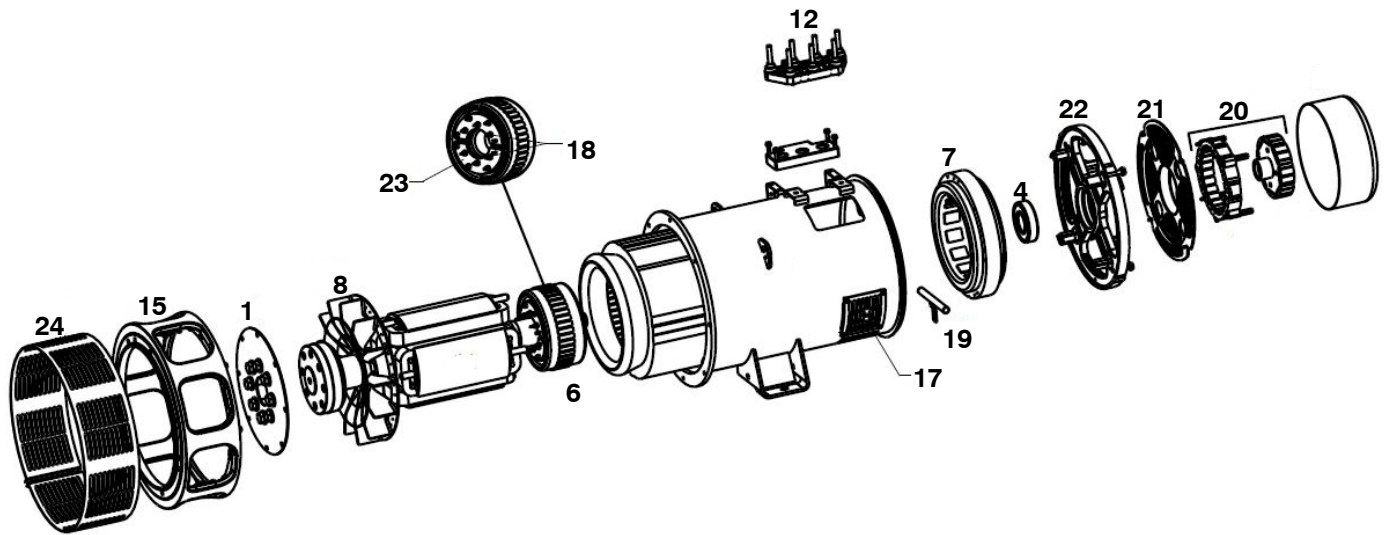
Generator Service Parts (CA115)



Generator Service Parts (CA115)

Item	Part No.	Description	Qty
1	A050J578	Kit, Generator Coupling Spares – 1.5MM (Includes Parts Marked *)	1
2	A050J565	Kit, Generator Coupling Spares – 3.0MM (Includes Parts Marked ^)	1
3	RSK-1101	Service Kit, Rectifier (Includes Parts Marked #)	1
4		Stator, Exciter	
	001-102712	20MM	1
	001-102713	25MM	1
	001-102714	30MM	1
	001-102715	34MM	1
	001-102716	38MM	1
5		Rotor, Exciter	
	190-1041	25MM	1
	191-1072	30MM	1
	190-1040	20MM	1
	191-1063	34MM	1
	191-1064	38MM	1
6		Fan (To Accurately Find the Correct Replacement Fan, Search the Alternator Serial Number Bill of Materials)	
	191-10042	290 DIA	1
	130-21296	320 DIA	1
	191-10059	344 DIA	1
7	003-25158	Grommet	1
8	050-11035	Circlip, External	1
9	45-0866	Bearing, NDE	1
10	051-21784	O'Ring	1
11	051-21792	O'Ring	1
12	130-21388	Hub, Fan – BC1	1
13	191-10252	Board, Terminal	1
14	191-10057	Block, Terminal	1
15	191-10143	Label, Connection	1
16	191-10197	Link, Terminal – P0/P1	1
17	450-16391	Label, Earthing – P0/P1	1
18	450-16430	Harness, Sensing	1
19	45-0427	Rotating Rectifier Assy	1
20	A045Z792	Heater, Cartridge	1
21	A042T816	CT Mounting Bracket, NDE	1
22	A042T818	CT Mounting Bracket, DE	1
23	A043Z322	Adapter	1
24	A044G874	Screen, DE	1
25	024-70618	*Screw, Cap Head (M10 x 35)	6
26	191-10078	*Disc, Coupling – SAE 10	1
27	130-21017	*Plate, Pressure – BC1	1
28	130-21017	^Plate, Coupling Pressure	1
29	024-70618	^Screw, Cap Head	6
30	191-10081	^Disc, Coupling	3
31	073-08063	#Varistor	1
32	130-1413	#Recitier, FWD – BC1	3
33	130-1414	#Recitier, REV – BC1	3

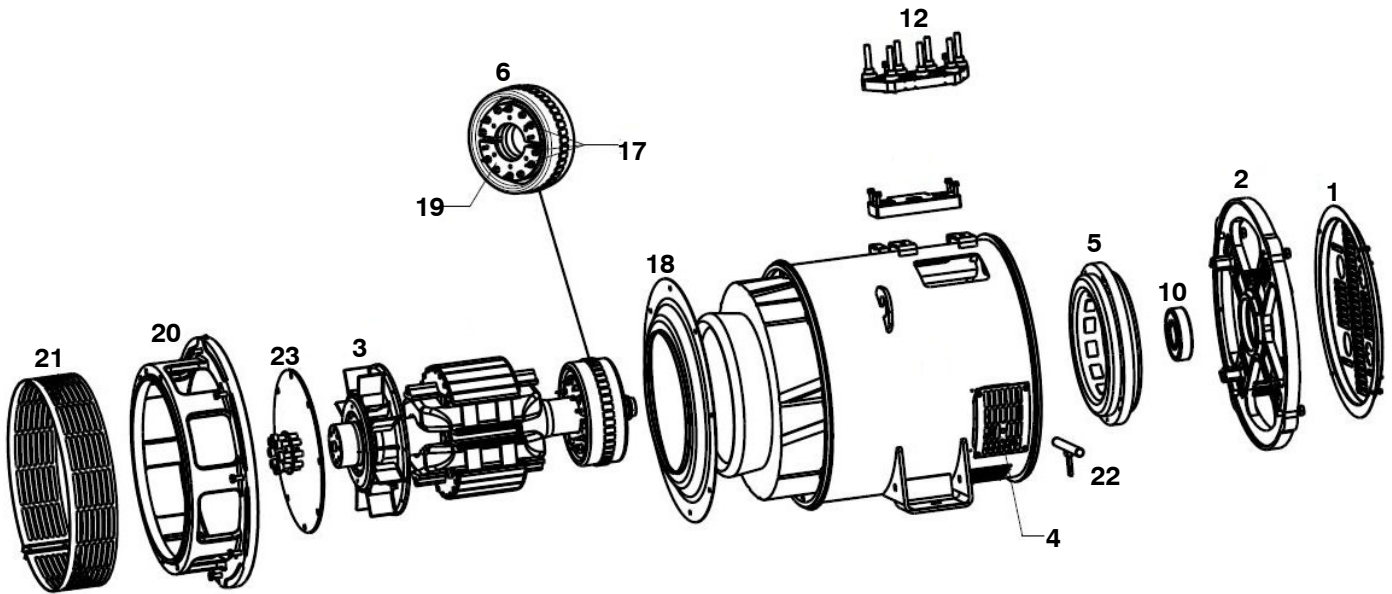
Generator Service Parts (CA125)



Generator Service Parts (CA125)

Item	Part No.	Description	Qty
1	A050J709	Kit, Generator Coupling Spares (Includes Parts Marked *)	2
2	030-02030	Label, Lighting	1
3	050-11035	Circlip, External	1
4	45-0867	Kit, NDE Bearing	1
5	051-21784	O'Ring	1
6		Rotor, Exciter	
	230-1000	30 MM	1
	230-1001	40 MM	1
7		Stator, Exciter	
	230-1208	30 MM	1
	230-1209	40 MM	1
8	230-10397	Fan, Diecast	1
9	330-10147	Link, Terminal	1
10	450-14875	Washer, Coupling Disc	1
11	450-15125	Label, Warning	1
12	450-15617	Panel, Terminal	1
13	450-16430	Harness, Sensing	1
14	A039Z973	Label, Connection	1
15	A042R604	Adapter, DE – SAE 4	1
16	A042R942	Bracket, NDE	1
17	A042T944	Screen, NDE Bottom	1
18	RSK-1101	Service Kit, Rectifier	1
19	A045Z790	Heater, Cartridge	1
20	A044G815	Kit, Complete PMG	1
21	A043U485	Cover, NDE (For Use Without PMG)	1
22	A042R942	Bracket, NDE	1
23	45-0427	Rotating Rectifier Assy.	1
24	A044G876	Screen, DE	1
25	230-10201	*Disc, Coupling – SAE 10	2
26	016-31144	*Screw, Hex Head (M16 x 35)	8
27	016-40917	*Screw, Hex Head	4
28	027-41209	*Nut, Hex	4
29	029-61109	*Washer, Flat	8
30	450-14875	*Washer, Flat	8

Generator Service Parts (CA135)

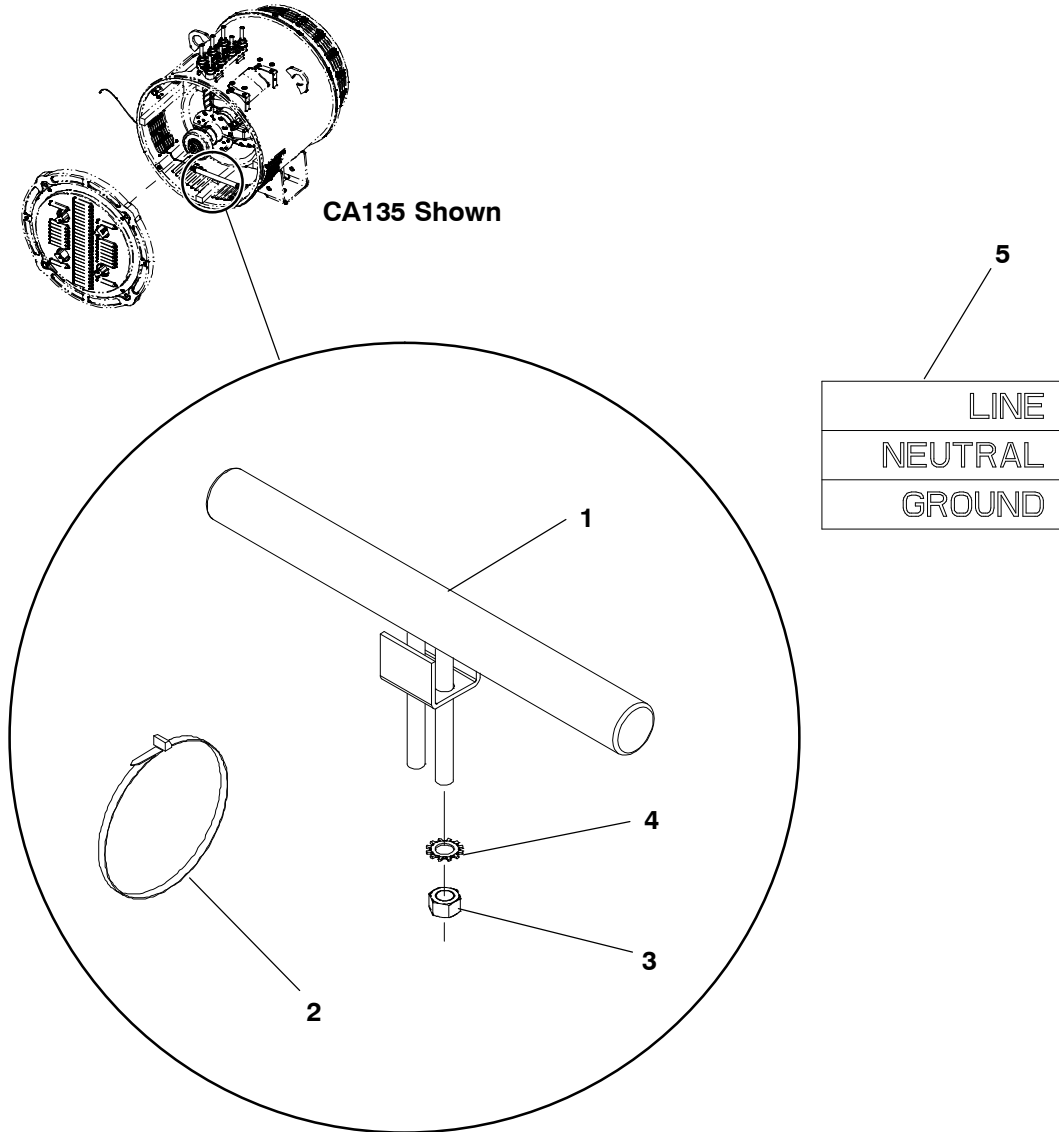


Generator Service Parts (CA135)

Item	Part No.	Description	Qty
1	001-102355	Cover, NDE – W/O PMG	1
2	001-102572	Bracket, NDE End	1
3	001-102711	Fan, 360 Diameter	1
4	001-102736	Cover, Access – NDE Bottom	1
5	001-102754	Stator, Exciter	1
6	001-102755	Rotor, Exciter	1
7	024-70618	*Screw, Cap Head	8
8	030-02030	Label, Lighting	1
9	050-11035	Circlip, External	1
10	45-0867	Bearing, NDE	1
11	051-21784	O'Ring	1
12	230-10624	Panel, Terminal	1
13	330-10147	Link, Terminal	1
14	450-15125	Label, Warning	1
15	450-16430	Harness, Sensing	1
16	A039Z973	Label, Connection	1
17	RSK-2001	Service Kit, Rectifier	1
18	A044B890	Baffle	1
19	45-0427	Rotating Rectifier Assy.	1
20	A044B086	Kit, Adapter	1
21	A044G878	Screen, DE	1
22	A043V417	Heater, Cartridge	1
23	A050J723	Kit – Generator Coupling Spares (Includes Parts Marked *)	1
24	016-40917	*Screw, Hex Head	4
25	027-41209	*Nut	4
26	029-61109	*Washer, Flat	8
27	001-102581	*Disc, Coupling	3
28	001-102609	*Plate, Pressure	1

Generator Heater

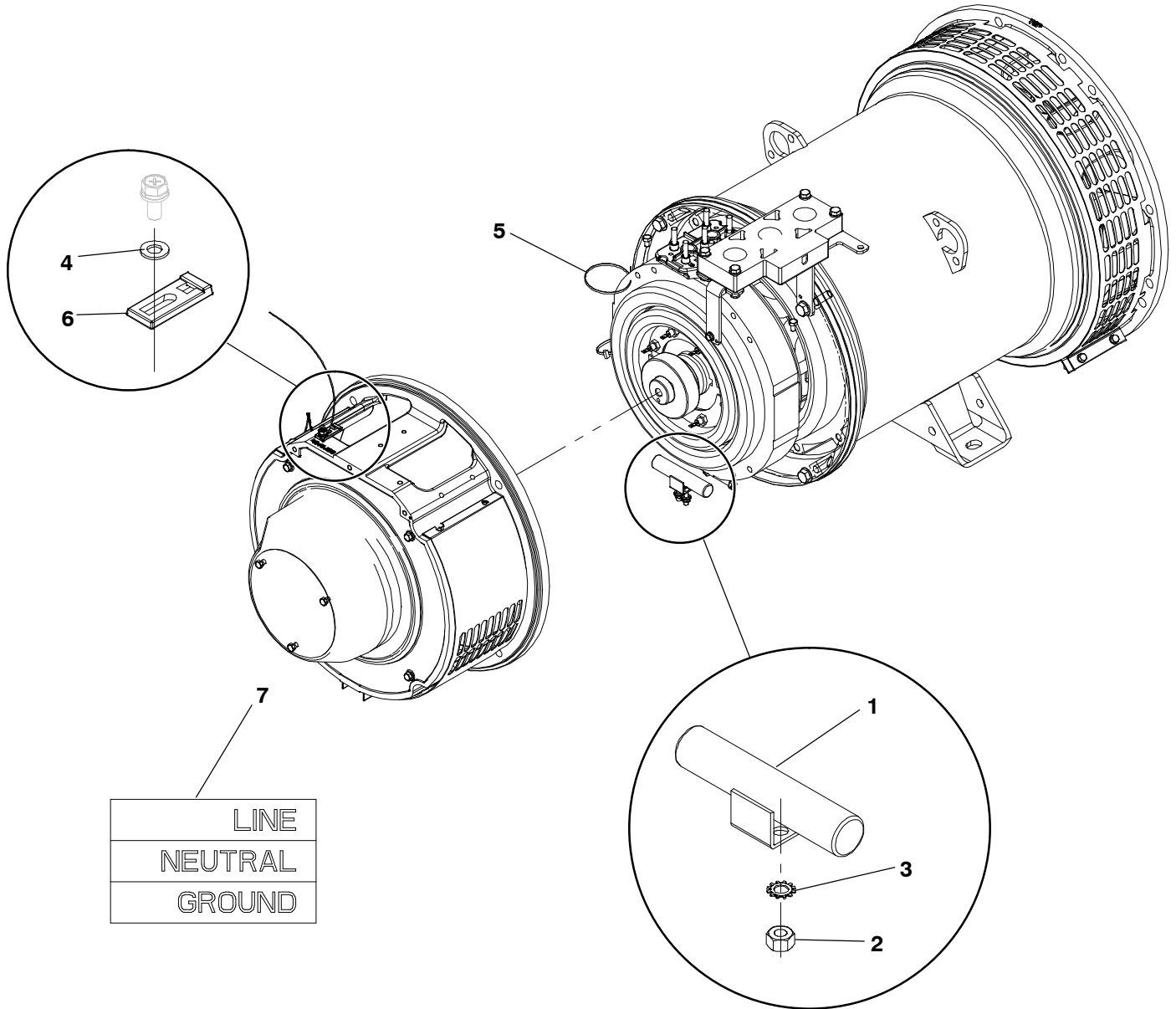
(20V, 100W) C36 N6, C40 N6, C40 N6H, C45 N6H, C50 N6H, C60 N6H



Item	Part No.	Description	Qty
1	A045Z790	Heater, Generator (CA125, CA135)	1
2	0332-0942	Tie, Cable	2
3	0860-2006	Nut, Hex	2
4	0853-2005	Washer, Lock	2
5	A046G477	Label, Marking	1

Generator Heater (120V, 30W)

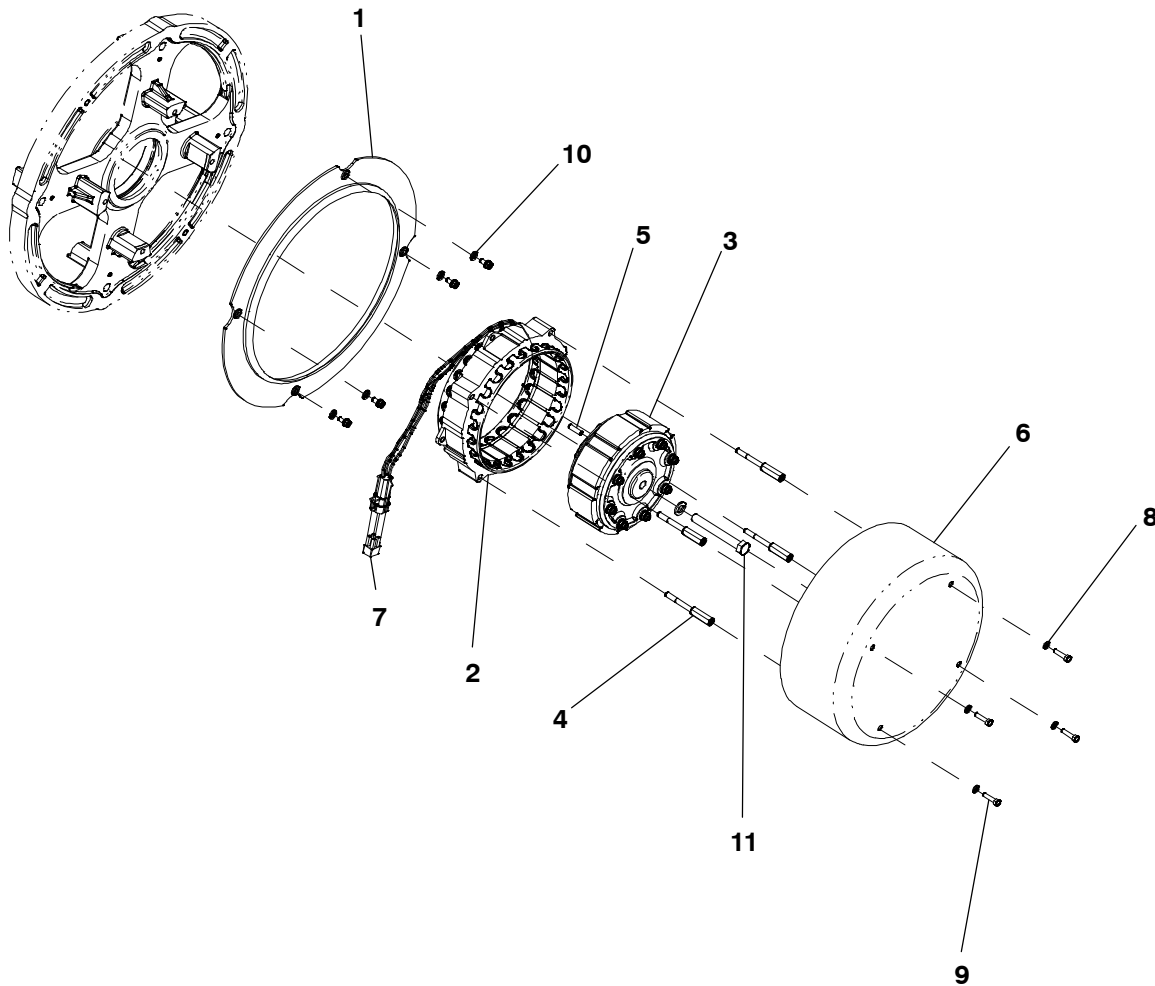
C20 N6, C22 N6, C25 N6, C30 N6, C36 N6, C40 N6, C30 N6H, C36 N6H, C40 N6H, C45 N6H, C50 N6H



LINE
NEUTRAL
GROUND

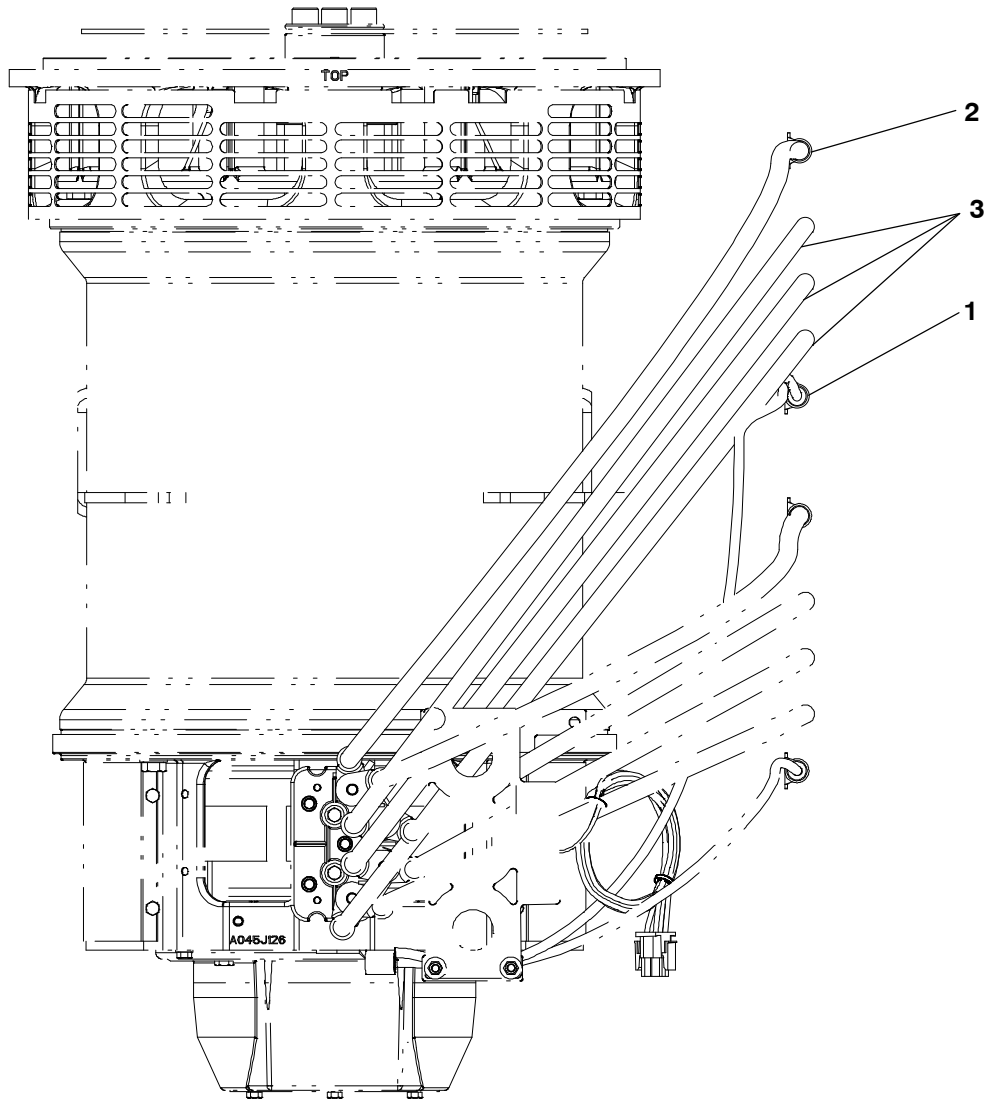
Item	Part No.	Description	Qty
1	A045Z792	Heater, Generator (CA115)	1
2	0860-2006	Nut, Hex	2
3	0853-2005	Washer, Lock	2
4	0526-2060	Washer, Flat	1
5	0332-0942	Tie, Cable	2
6	A046F900	Base, Cable Tie	1
7	A046G477	Label, Marking	1

PMG
C36 N6, C40 N6



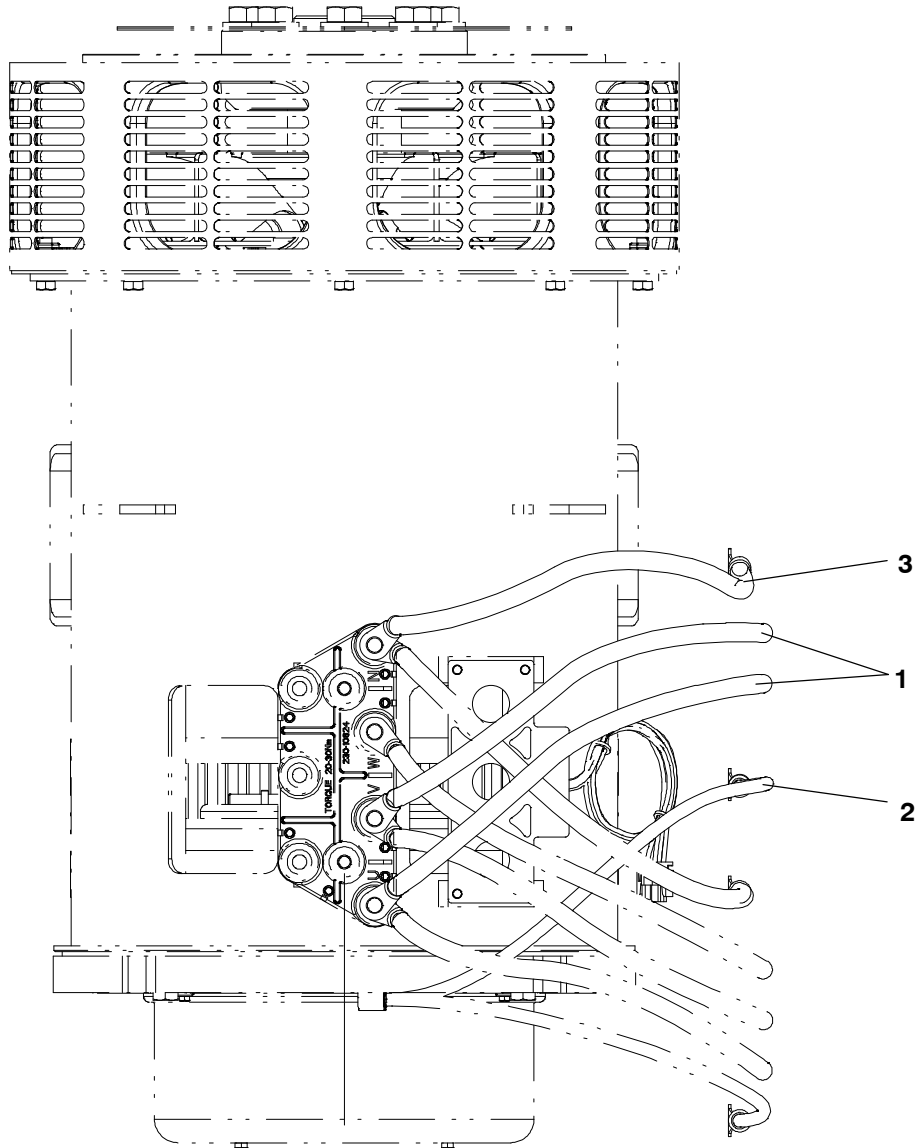
Item	Part No.	Description	Qty
1	A046A710	Cover, Generator End	1
2	A046A708	Stator, Permanent Magnet	1
3	A029M562	Rotor, Permanent Magnet Generator	1
4	0232-3462-02	Spacer	4
5	0775-0049	Pin, Parallel	1
6	0234-0875-02-B	Cover, Endbell	1
7	A042N319	Housing, Receptacle	1
8	0526-2060	Washer, Flat	4
9	0800-2010	Screw, Hex Head	4
10	0850-2006	Washer, Lock	4
11	0800-2097	Screw, Hex Head	1

Lead Package – CA115



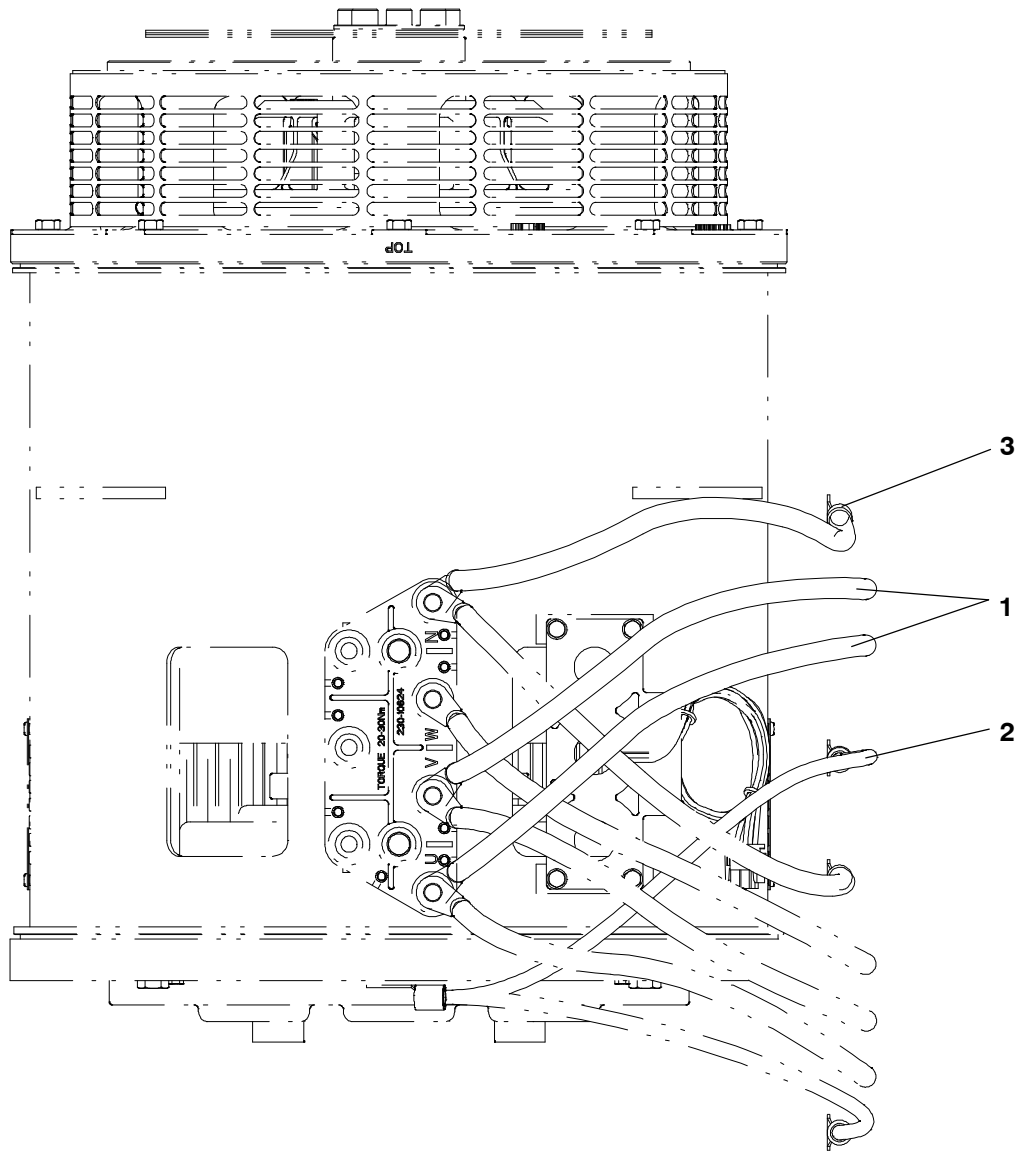
Item	Part No.	Description	Qty
1	A041T446	Lead	1
2	A047Z271	Lead	1
3		Lead	
	A047Z265	1 Phase – 2 Pole	2
	A047Z265	3 Phase – 3 Pole	3

Lead Package – CA125



Item	Part No.	Description	Qty
1		Lead	
	A041T049	1 Phase, 2 Pole	2
	A041T049	3 Phase, 3 Pole	3
2	A041T446	Lead	1
3	A041T438	Lead	1

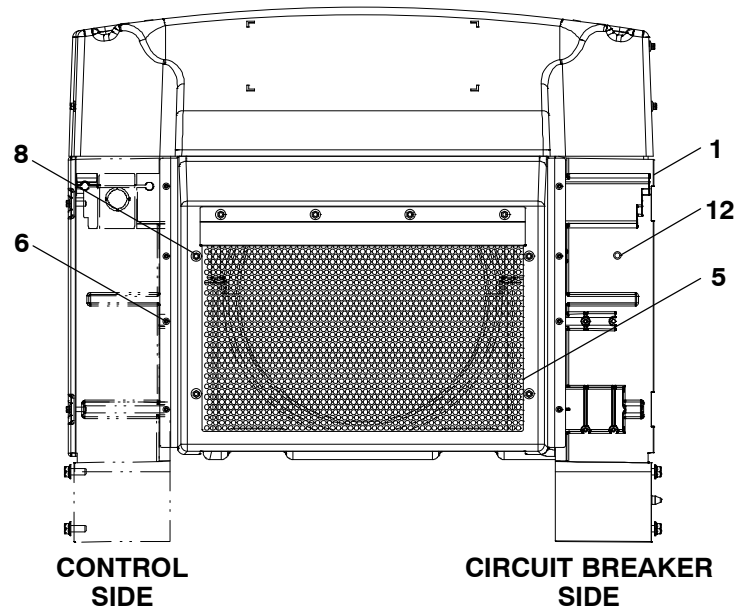
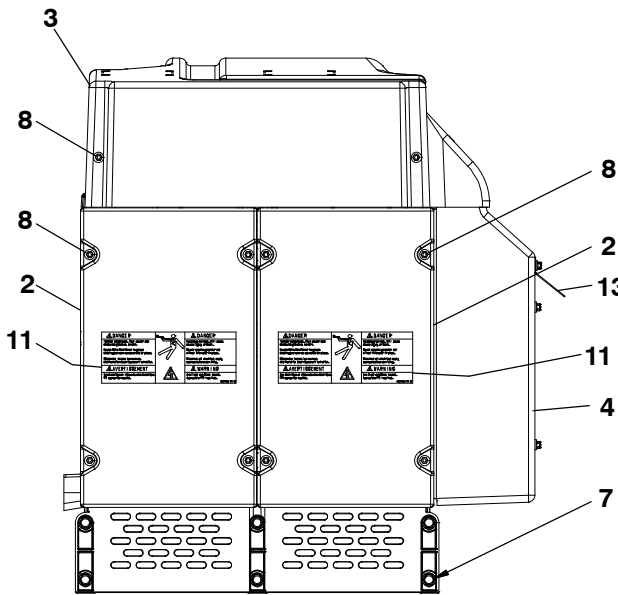
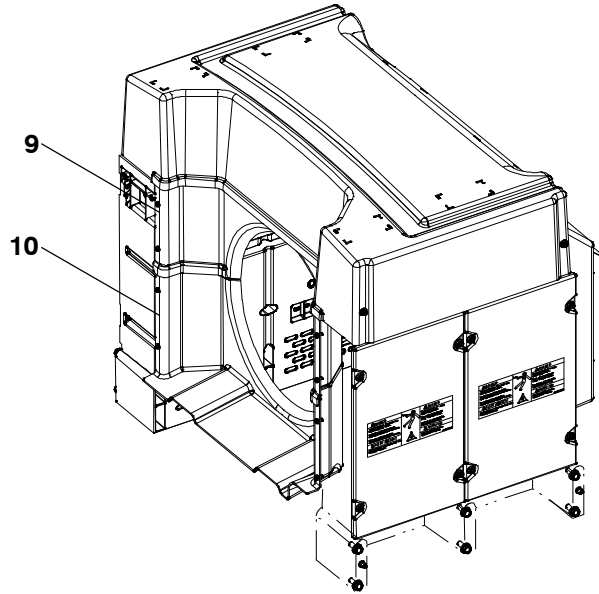
Lead Package – CA135



Item	Part No.	Description	Qty
1		Lead	
	A041T051	1 Phase, 2 Pole	2
	A041T049	3 Phase, 3 Pole	3
2	A041T446	Lead	1
3		Lead	
	A041T440	1 Phase, 2 Pole	1
	A041T438	3 Phase, 3 Pole	1

Terminal Box

C20 N6, C22 N6, C25 N6, C30 N6H



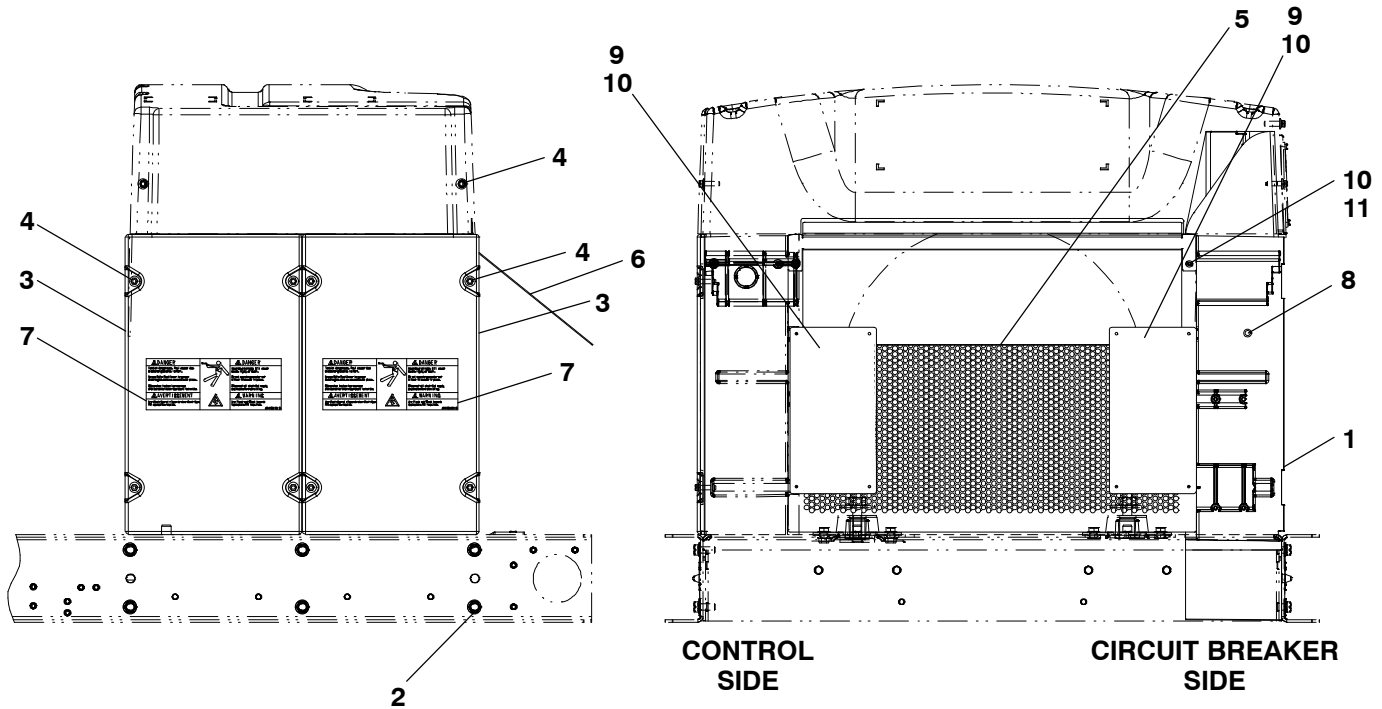
Terminal Box

C20 N6, C22 N6, C25 N6, C30 N6H

Item	Part No.	Description	Qty
1	A042X733	Box, Plastic	1
2	A042X758	Cover, Box	2
3	A044H451	Cover, Terminal Block	1
4	A044C838	Guard, Alternator	1
5	A044N178	Panel, Mesh	1
6	A048E352	Screw, Pan Head	16
7	0800-6524-02	Screw, Hex Flange Head	12
8	0815-0857-02	Screw, Hex Head	22
9	A044H456	Guard, Alternator	1
10	A044H459	Guard, Alternator	1
11	A044F254	Label, Warning	2
12	A041K566	Button, Push	1
13	A046L034	Shield, Rain	1

Terminal Box

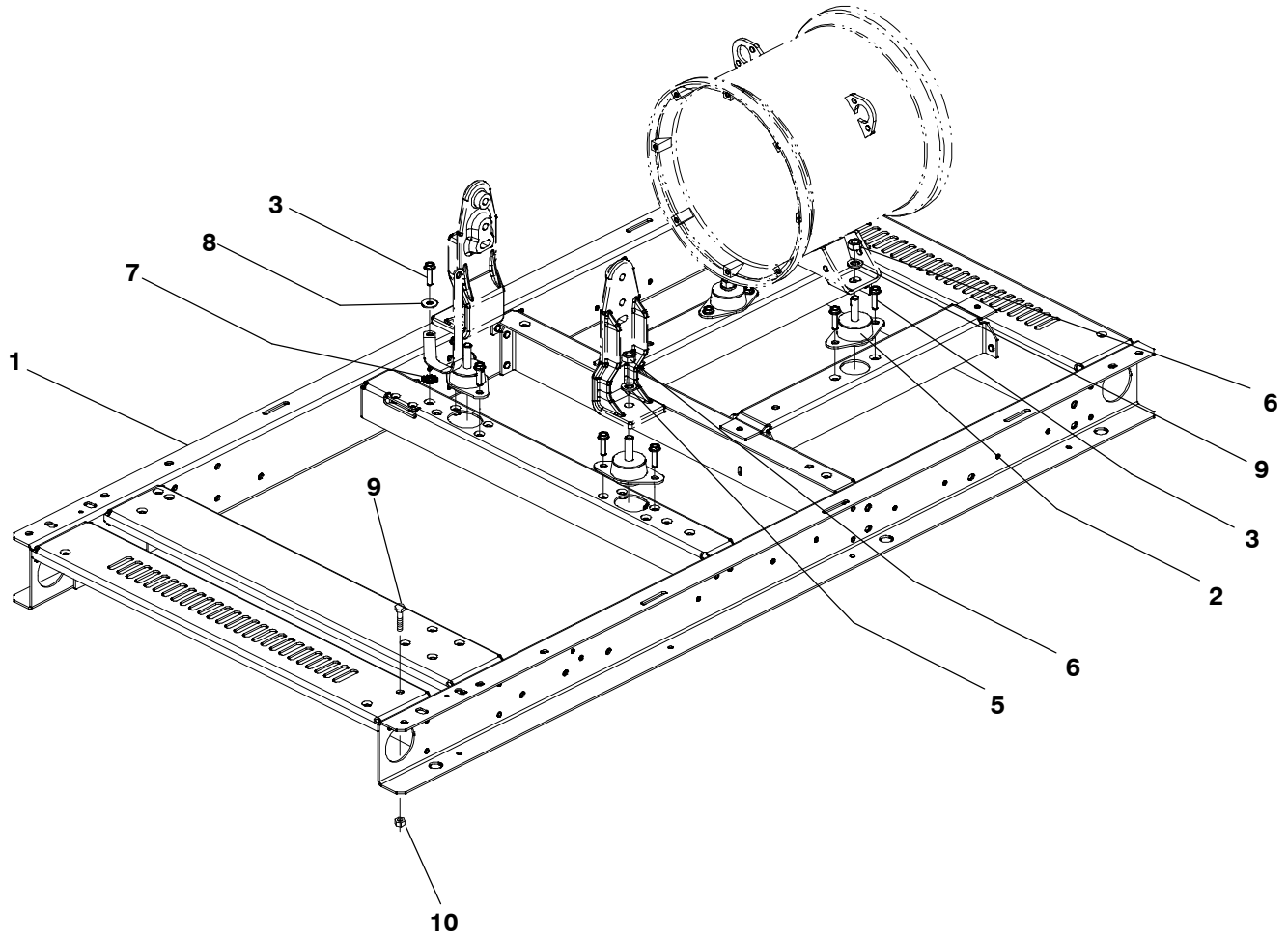
C30 N6, C36 N6, C40 N6, C36 N6H, C40 N6H, C45 N6H, C50 N6H, C60 N6H



Item	Part No.	Description	Qty
1	A042X733	Box, Plastic	1
2	0800-6524-02	Screw, Hex Flange Head	12
3	A042X758	Cover, Box	2
4	0815-0857-02	Screw, Hex Head	14
5	A043M830	Panel, Mesh	1
6	A046L032	Shield, Rain	1
7	A044F254	Label, Warning	2
8	A041K566	Button, Push	1
9	A044C631	Panel, Terminal Box (Used With CA115)	2
10	A048E352	Screw, Pan Head (Used With CA115)	A/R
11	0526-0008	Washer, Flat	6

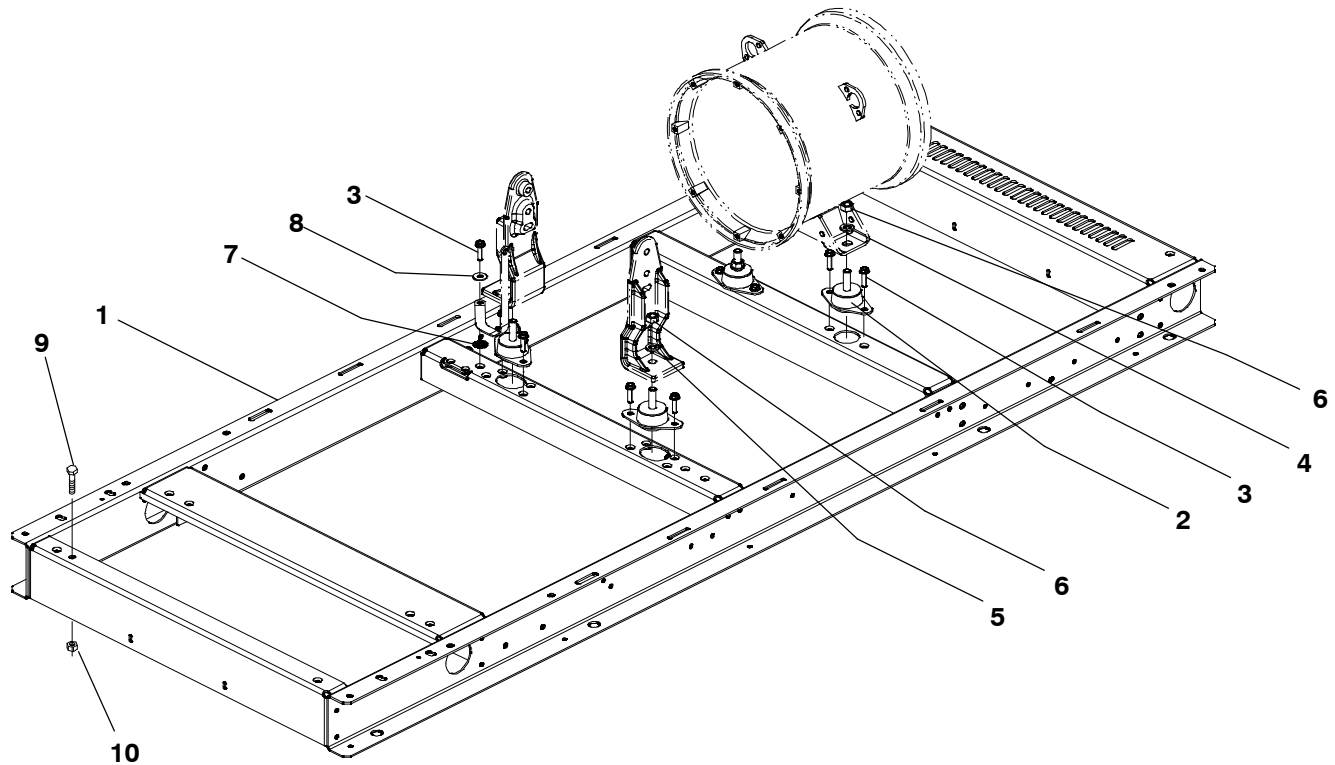
Skid

C20 N6, C22 N6. C25 N6, C30 N6H – Used with CA115 Alternator



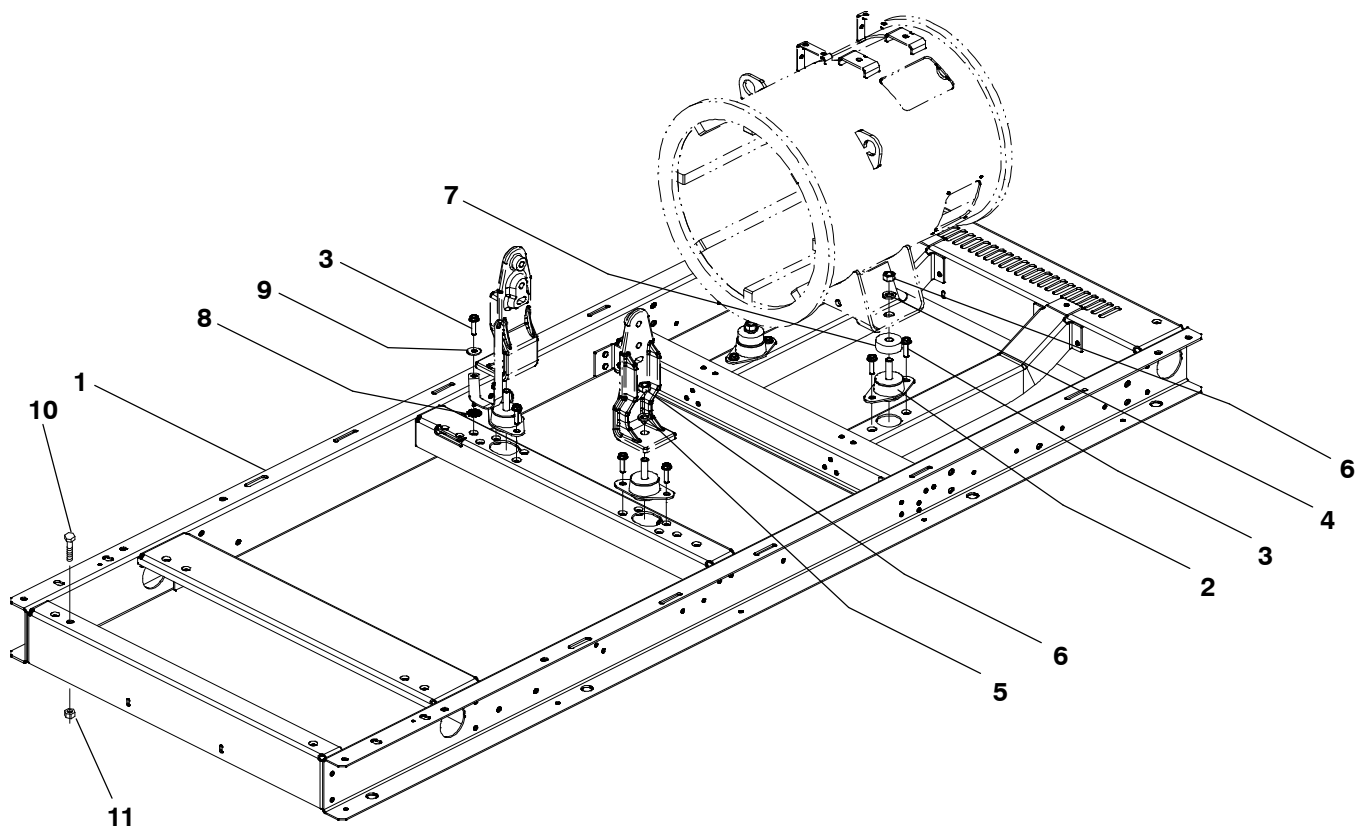
Item	Part No.	Description	Qty
1	A060D289	Chassis	1
2	A043Y321	Isolator, Vibration	4
3	0815-0781	Screw, Hollow Head	9
4	0526-0399-75	Washer, Flat	2
5	A045U373	Washer, Flat	2
6	0862-0026-57	Nut, Hex	4
7	0856-0010	Washer, Lock	1
8	0526-0399-61	Washer, Flat	1
9	0821-6002-02	Screw, Hex Head	6
10	0870-2065-02	Nut, Hex Flange	6

Skid – C30 N6, C36 N6, C40 N6, C36 N6H, C40 N6H, C45 N6H, C50 N6H – Used with CA115 Alternator



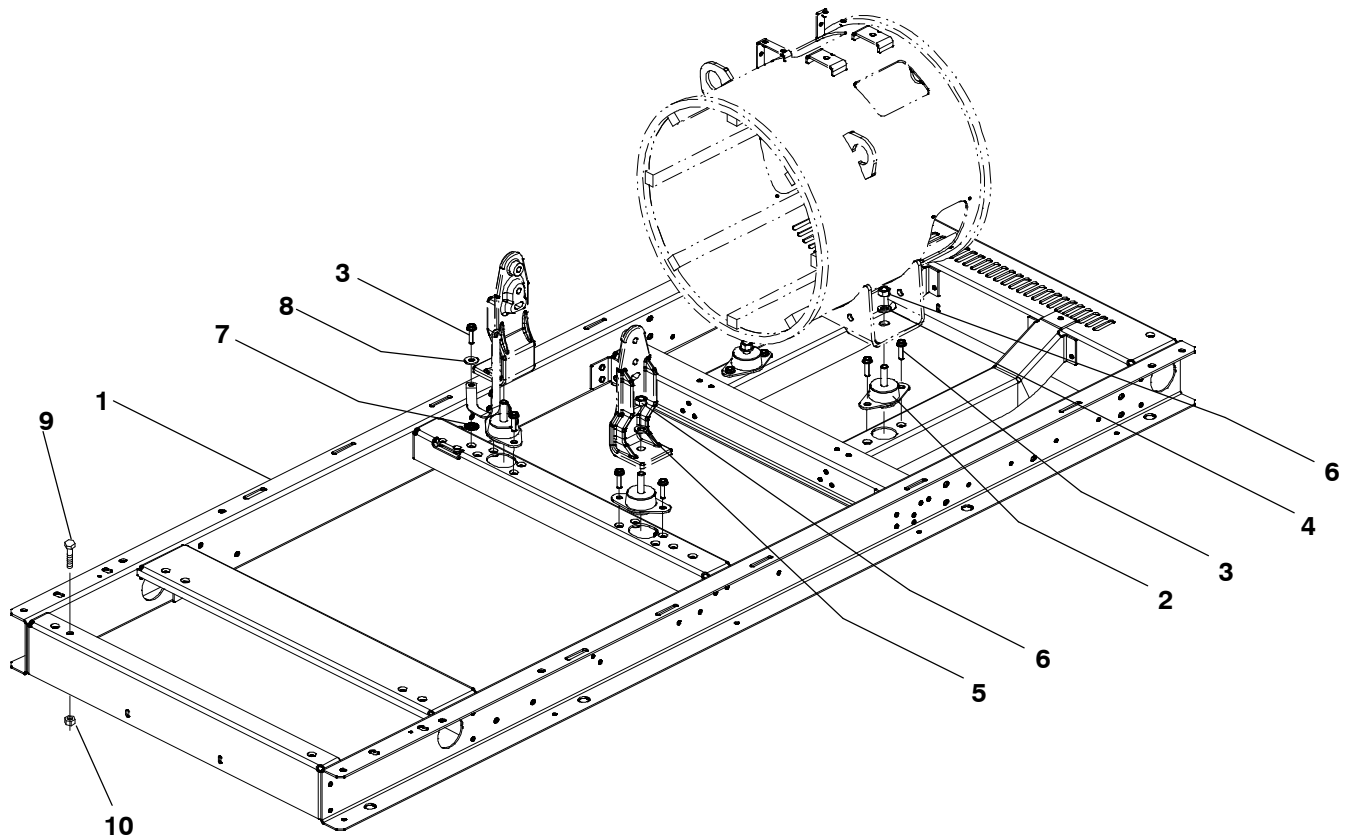
Item	Part No.	Description	Qty
1	A060D297	Chassis	1
2	A043Y321	Isolator, Vibration	4
3	0815-0781	Screw, Hollow Head	9
4	0526-0399-75	Washer, Flat	2
5	A045U373	Washer, Flat	2
6	0862-0026-57	Nut, Hex	4
7	0856-0010	Washer, Lock	1
8	0526-0399-61	Washer, Flat	1
9	0821-6002-02	Screw, Hex Head	6
10	0870-2065-02	Nut, Hex Flange	6

Skid – C36 N6, C40 N6 – Used with CA125 Alternator



Item	Part No.	Description	Qty
1	A060D295	Chassis	1
2	A043Y321	Isolator, Vibration	4
3	0815-0781	Screw, Hollow Head	9
4	0526-0399-75	Washer, Flat	2
5	A045U373	Washer, Flat	2
6	0862-0026-57	Nut, Hex	4
7	A042W096	Spacer, Mounting	2
8	0856-0010	Washer, Lock	1
9	0526-0399-61	Washer, Flat	1
10	0821-6002-02	Screw, Hex Head	6
11	0870-2065-02	Nut, Hex Flange	6

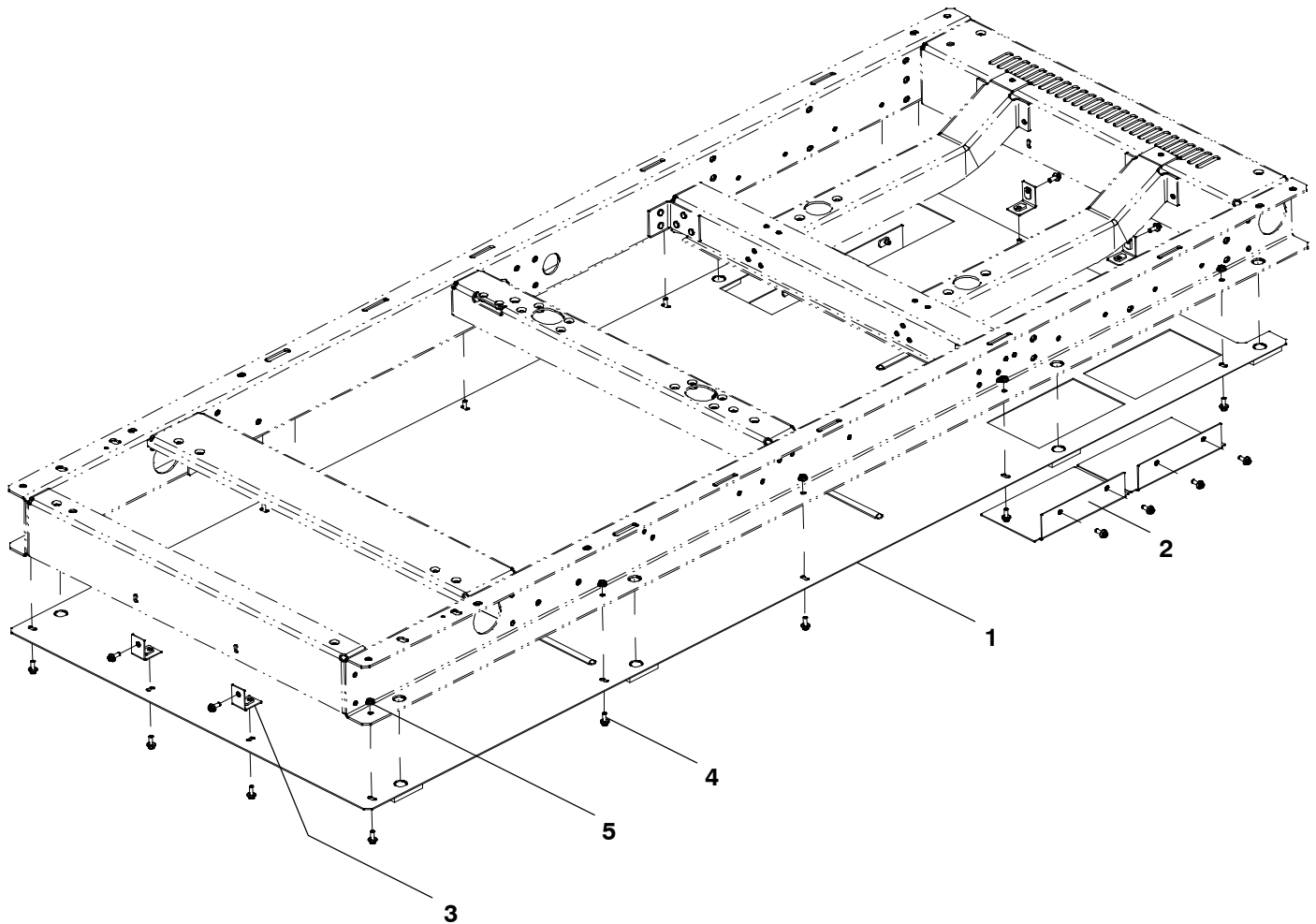
Skid – C40 N6H, C45 N6H, C50 N6H, C60 N6H – Used with CA135 Alternator



Item	Part No.	Description	Qty
1	A060D295	Chassis	1
2	A043Y321	Isolator, Vibration	4
3	0815-0781	Screw, Hollow Head	9
4	0526-0399-75	Washer, Flat	2
5	A045U373	Washer, Flat	2
6	0862-0026-57	Nut, Hex	4
7	0856-0010	Washer, Lock	1
8	0526-0399-61	Washer, Flat	1
9	0821-6002-02	Screw, Hex Head	6
10	0870-2065-02	Nut, Hex Flange	6

Skid Pan

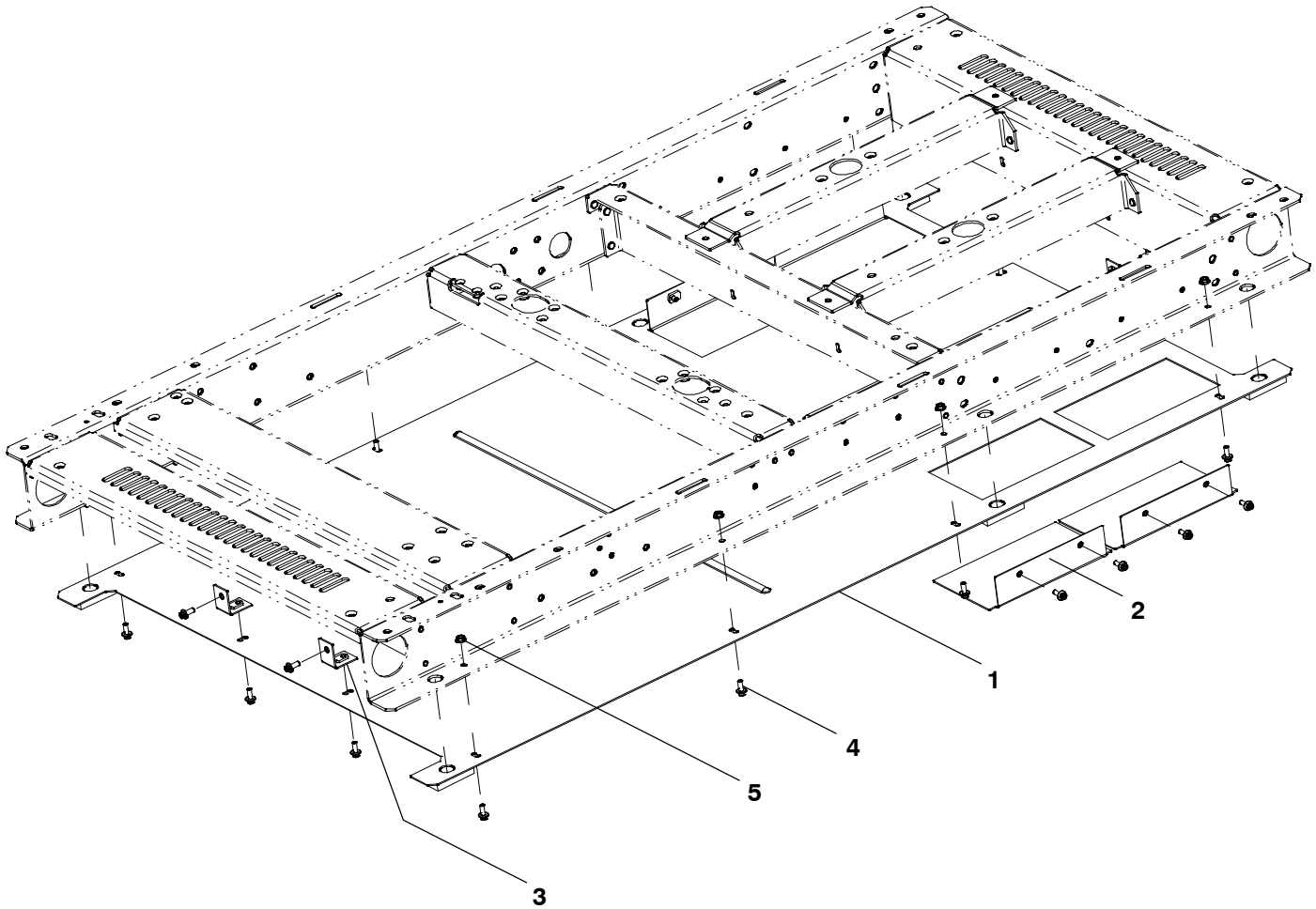
C30 N6, C36 N6, C40 N6, C36 N6H, C40 N6H, C45 N6H, C50 N6H, C60 N6H



Item	Part No.	Description	Qty
1	A046C018	Pan, Skid	1
2	A046C016	Cover, Plate	4
3	A046C014	Member, Support	4
4	0815-0857-02	Screw, Hex Head	26
5	0870-2065-02	Nut, Hex Flange	10

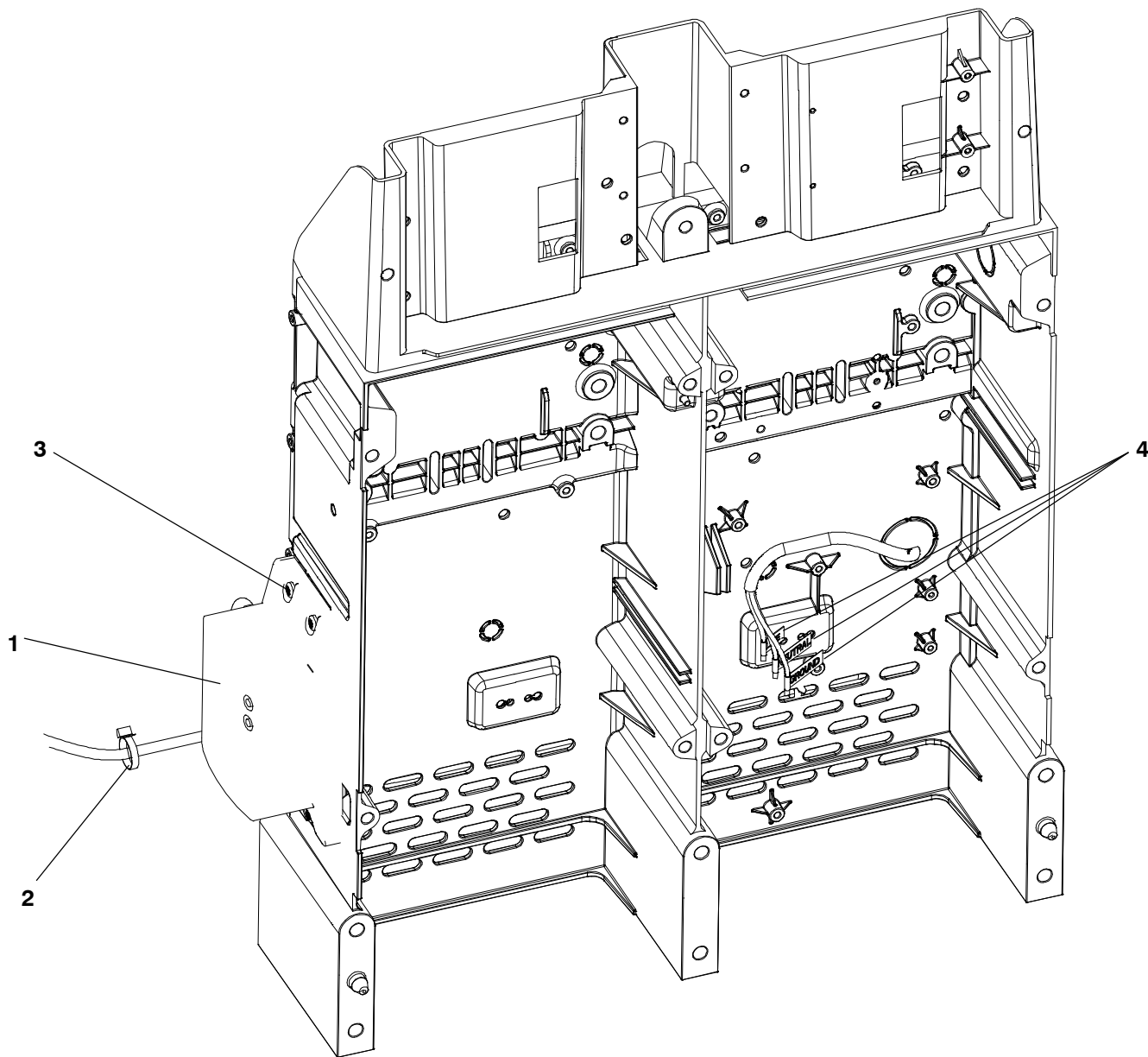
Skid Pan

C20 N6, C22 N6, C25 N6, C30 N6H



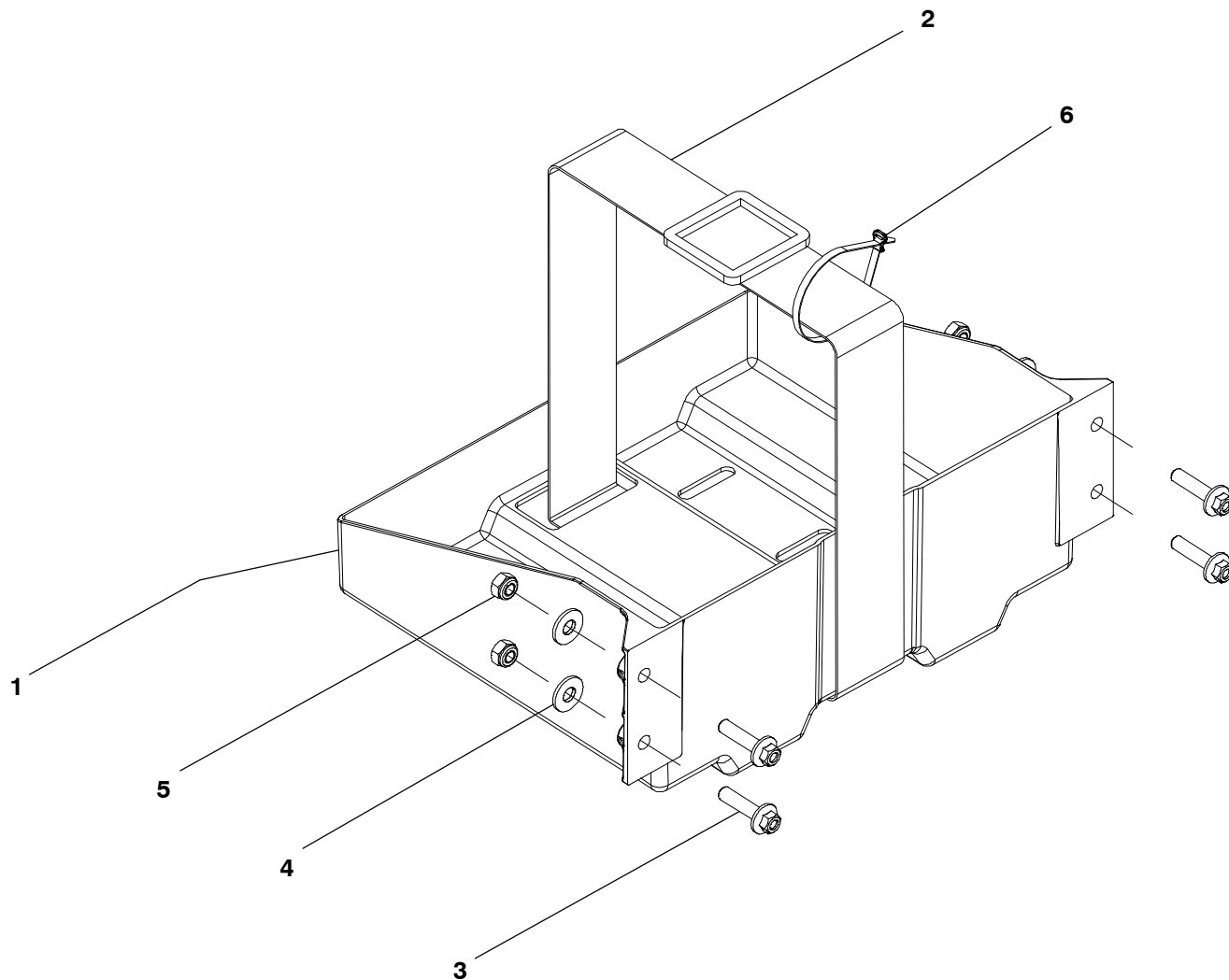
Item	Part No.	Description	Qty
1	A046C020	Pan, Skid	1
2	A046C016	Cover, Plate	4
3	A046C014	Member, Support	4
4	0815-0857-02	Screw, Hex Head	24
5	0870-2065-02	Nut, Hex Flange	8

Battery Charger



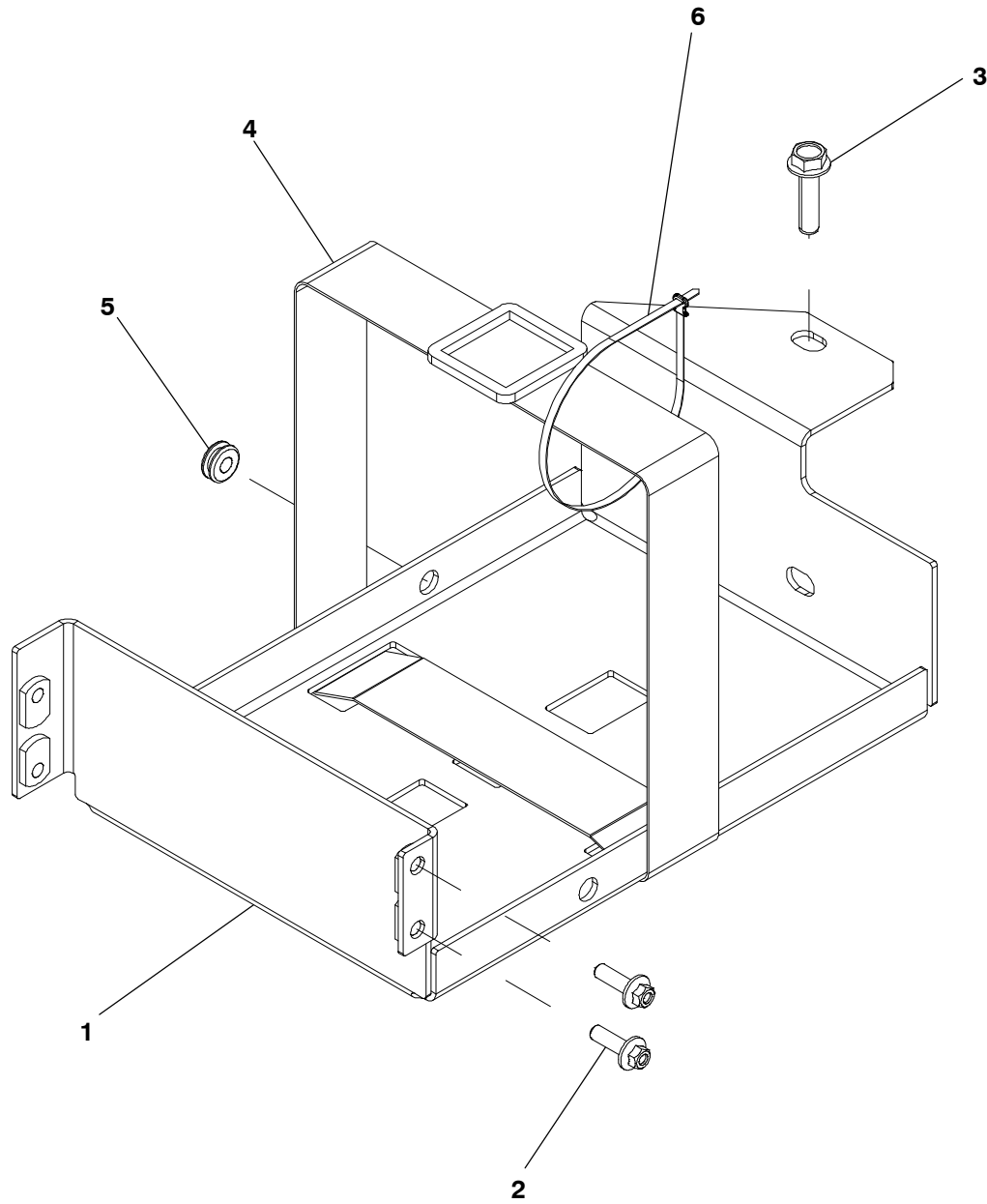
Item	Part No.	Description	Qty
1	A043B984	Charger, Battery	1
2	0332-1794	Tie, Cable	9
3	A042Y689	Screw, Pan Head	4
4	A046G477	Label, Marking	1

Battery Tray – Standard



Item	Part No.	Description	Qty
1	A043F517	Tray, Battery	1
2	A044G477	Strap, Battery	1
3	0815-0857-04	Screw, Hex Head	4
4	0526-0018	Washer, Flat	4
5	0870-0506	Nut, Nylon Lock	4
6	0332-1794	Tie, Cable	1

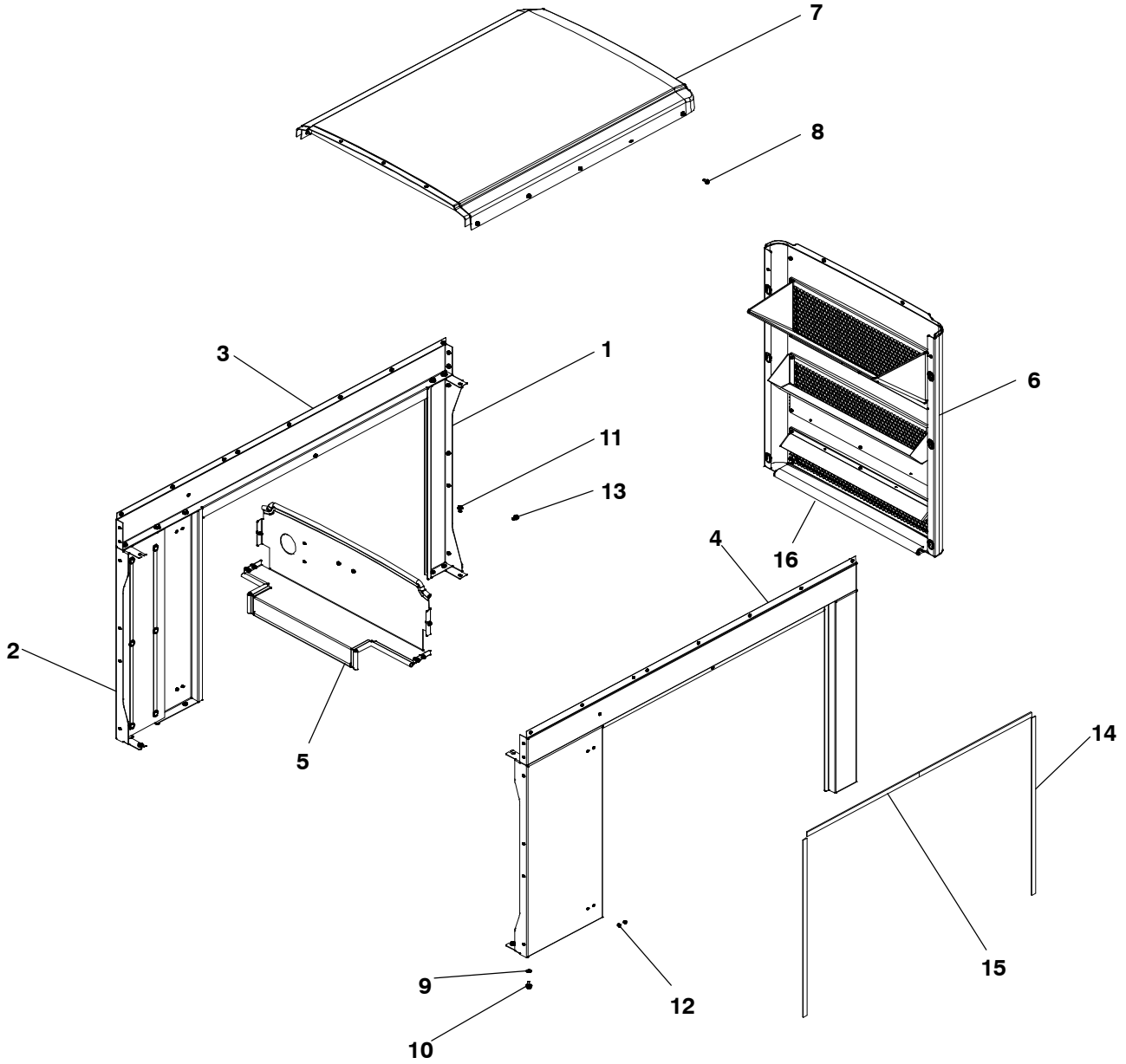
Battery Tray – Large



Item	Part No.	Description	Qty
1	A045P639	Tray, Battery	1
2	0815-0857-03	Screw, Hex Head	2
3	0815-0781	Screw, Hex Head	1
4	A044G477	Strap, Battery	1
5	0508-0228	Grommet	1
6	0332-1794	Tie, Cable	1

Enclosure

C20 N6, C22 N6, C25 N6, C30 N6H – QS, 1st Stg (Sandstone, Aluminum)



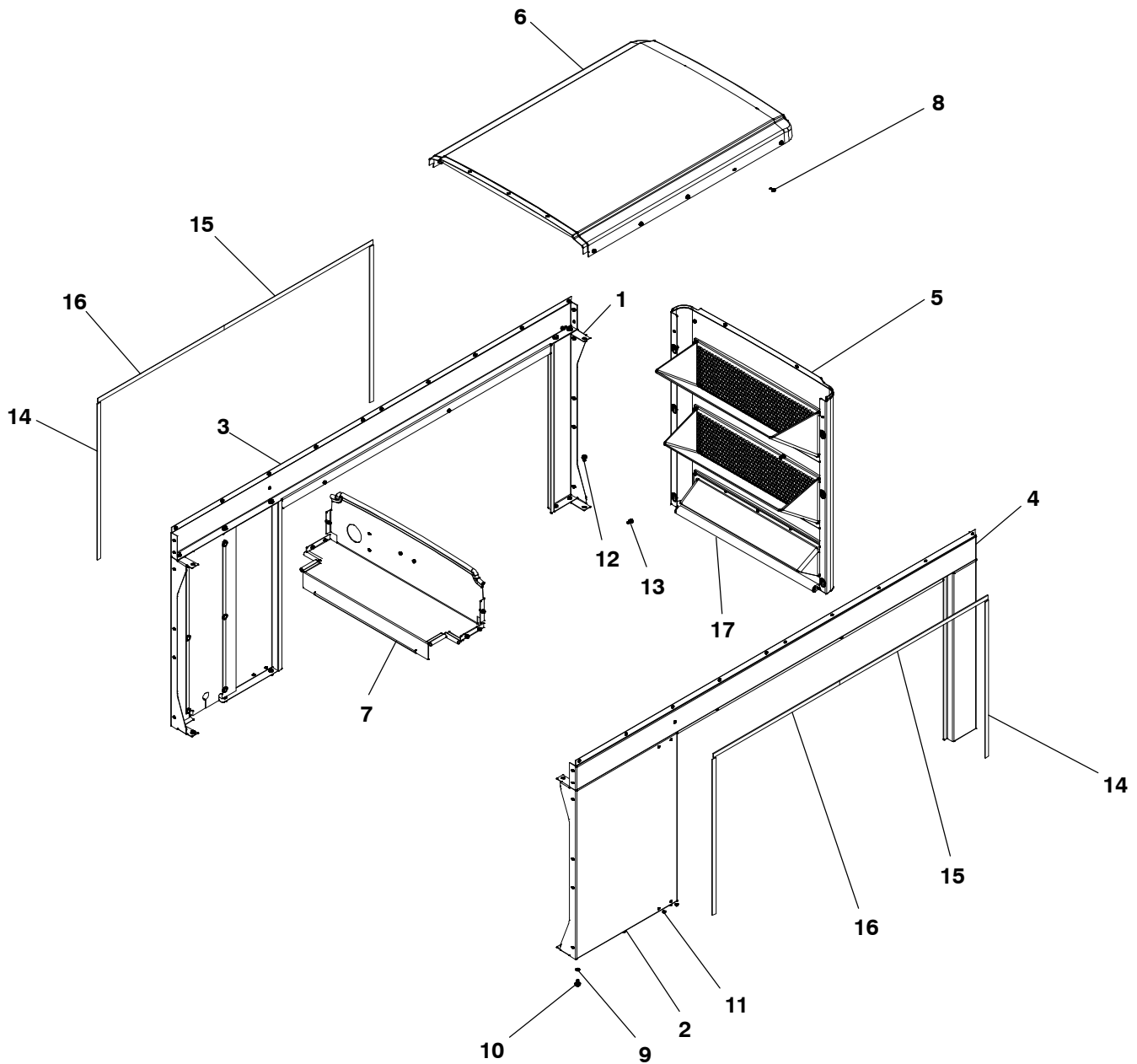
Enclosure

C20 N6, C22 N6, C25 N6, C30 N6H – QS, 1st Stg (Sandstone, Aluminum)

Item	Part No.	Description	Qty
1	A043H269	Post, Enclosure	2
2	A043H284	Post, Enclosure	2
3	A043H274	Panel, Enclosure	1
4	A043H278	Panel, Enclosure	1
5	A048N767	Panel, Bulkhead	1
6	A059W271	Cover, Enclosure (See Page 218 for Components)	1
7	A043M516	Roof, Enclosure	1
8	A050P483	Screw, Hex Flange Head	20
9	0853-2008	Washer, Lock	14
10	0821-6003-01	Screw, Hex Head	20
11	A045Z943	Screw, Hex Flange Head	4
12	0517-0131-03	Plug, Hole	4
13	A046T081	Screw, Shoulder	6
14	0405-6460-02	Gasket	4
15	0405-6460-01	Gasket	4
16	A060B644	Seal, Weather	1

Enclosure

C30 N6, C36 N6, C40 N6, C36 N6H, C40 N6H, C45 N6H, C50 N6H, C60 N6H – QS, 1st Stg
(Sandstone, Aluminum)



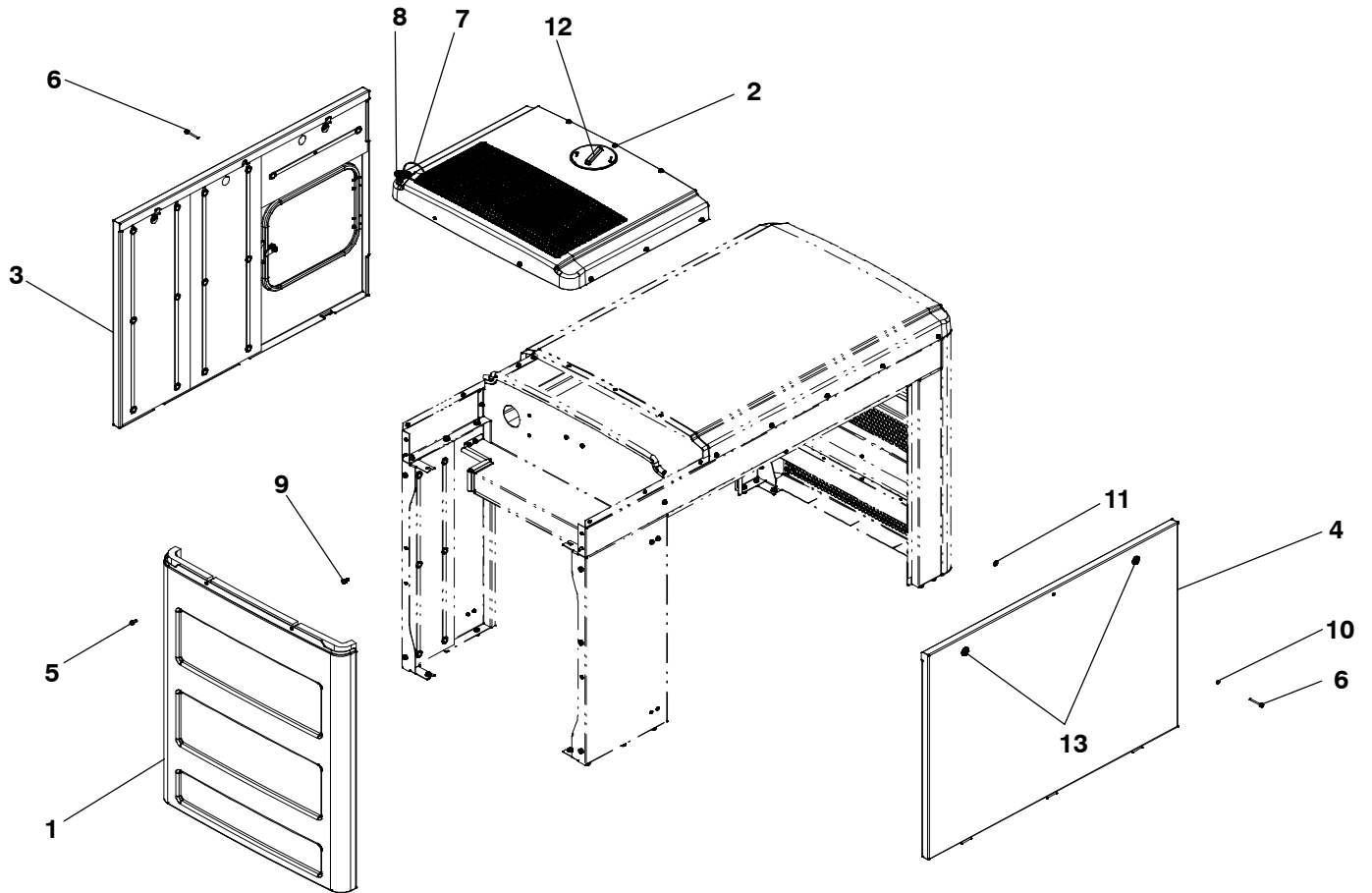
Enclosure

C30 N6, C36 N6, C40 N6, C36 N6H, C40 N6H, C45 N6H, C50 N6H, C60 N6H – QS, 1st Stg (Sandstone, Aluminum)

Item	Part No.	Description	Qty
1	A043E860	Post, Enclosure	2
2	A043M518	Post, Enclosure	2
3	A043E863	Panel, Enclosure	1
4	A043E865	Panel, Enclosure	1
5	A059W269	Cover, Enclosure (See Page 219 for Components)	1
6	A043M516	Roof, Enclosure	1
7	A048N765	Panel, Bulkhead	1
8	A050P483	Screw, Hex Flange Head	20
9	0853-2008	Washer, Lock	14
10	0821-6003-01	Screw, Hex Head	20
11	0517-0131-03	Plug, Hole	4
12	A045Z943	Screw, Hex Flange Head	4
13	A046T081	Screw, Shoulder	6
14	0405-6460-02	Gasket	4
15	0405-6460-10	Gasket	2
16	0405-6460-04	Gasket	2
17	A060B644	Seal, Weather	1

Enclosure

C20 N6, C22 N6, C25 N6, C30 N6H – Sound Att, QS, 2nd Stg (Sandstone, Aluminum)



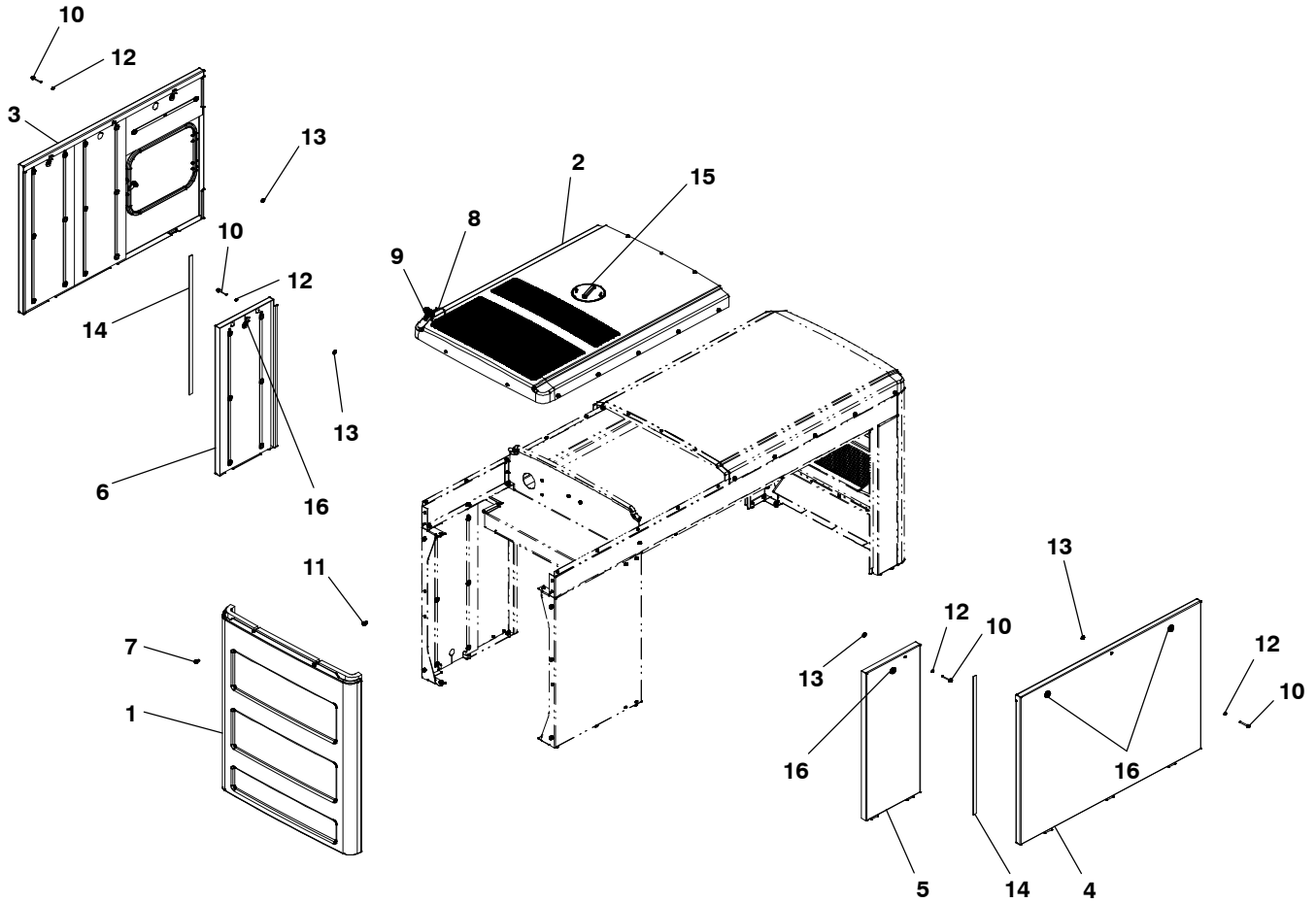
Enclosure

C20 N6, C22 N6, C25 N6, C30 N6H – Sound Att, QS, 2nd Stg (Sandstone, Aluminum)

Item	Part No.	Description	Qty
1	A046T039	Installation, Cover	1
2	A044B307	Roof, Enclosure	1
3	A043M520	Panel, Enclosure (See Page 217 for Panel Components)	1
4	A043M522	Panel, Enclosure (Includes Items 13)	1
5	0815-0857-02	Screw, Hex Head	13
6	A044M379	Screw, Hex Flange Head	2
7	0332-1794	Tie, Cable	1
8	A043G324	Key	1
9	A046T081	Screw, Shoulder	6
10	0853-0040-54	Washer, Lock	2
11	A046Z638	Washer, Lock	2
12	A045M805	Cap, Fill	1
13	A043L271	Latch	A/R

Enclosure

C30 N6, C36 N6, C40 N6, C36 N6H, C40 N6H, C45 N6H, C50 N6H, C60 N6H – Sound Att, QS,
2nd Stg (Sandstone, Aluminum)

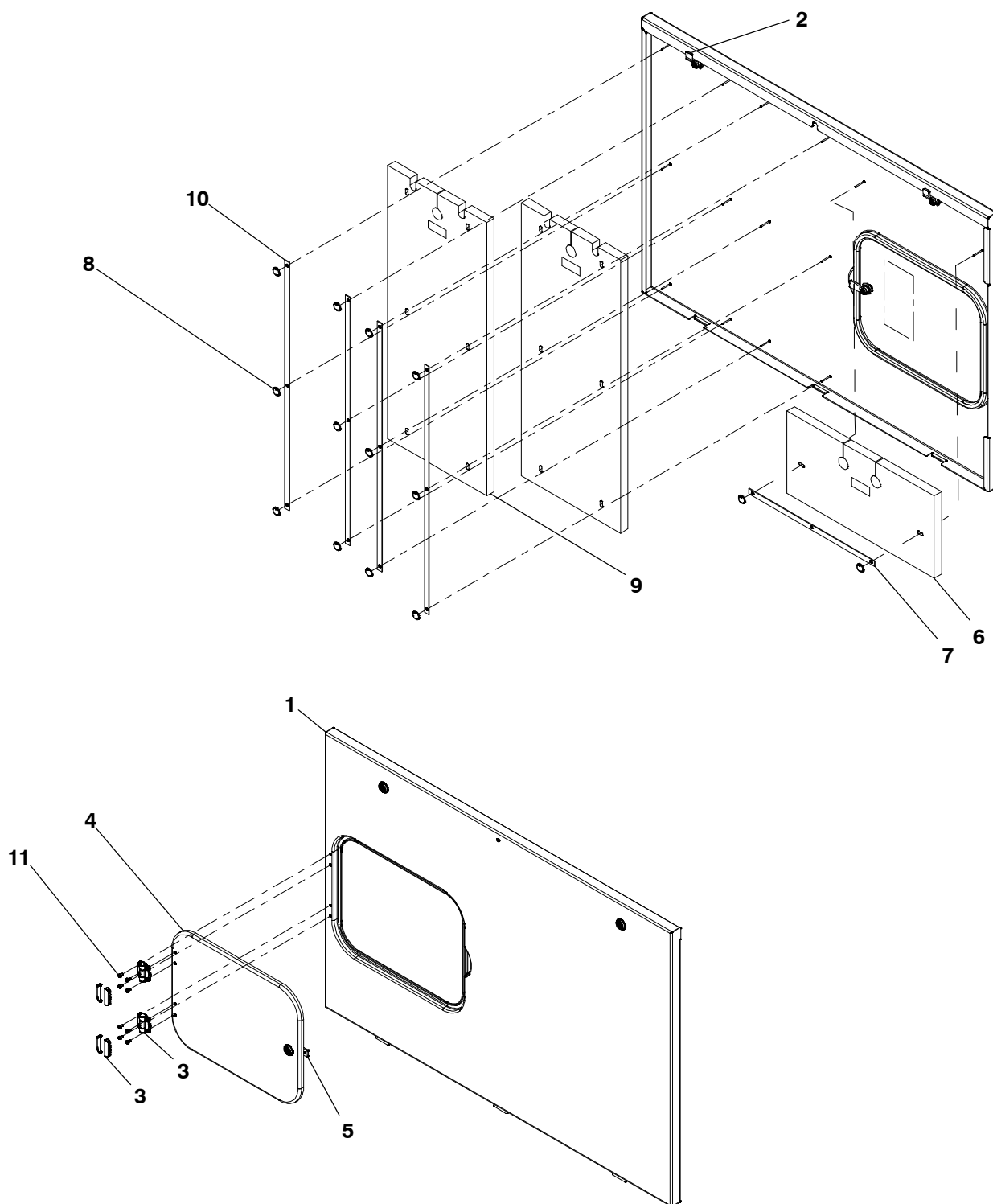


Enclosure

C30 N6, C36 N6, C40 N6, C36 N6H, C40 N6H, C45 N6H, C50 N6H, C60 N6H – Sound Att, QS, 2nd Stg (Sandstone, Aluminum)

Item	Part No.	Description	Qty
1	A046T039	Installation, Cover	1
2	A043F730	Roof, Enclosure	1
3	A043M520	Panel, Enclosure (See Page 217 for Panel Components)	1
4	A043M522	Panel, Enclosure (Includes Items 16)	1
5	A044B014	Panel, Enclosure (Includes Items 16)	1
6	A044B007	Panel, Enclosure (Includes Items 16)	1
7	0815-0857-02	Screw, Hex Head	17
8	0332-1794	Tie, Cable	1
9	A043G324	Key	1
10	A044M379	Screw, Hex Flange Head	4
11	A046T081	Screw, Shoulder	6
12	0853-0040-54	Washer, Lock	4
13	A046Z638	Washer, Lock	4
14	0405-6460-02	Gasket	2
15	A043J739	Cap, Fill	1
16	A043L271	Latch	A/R

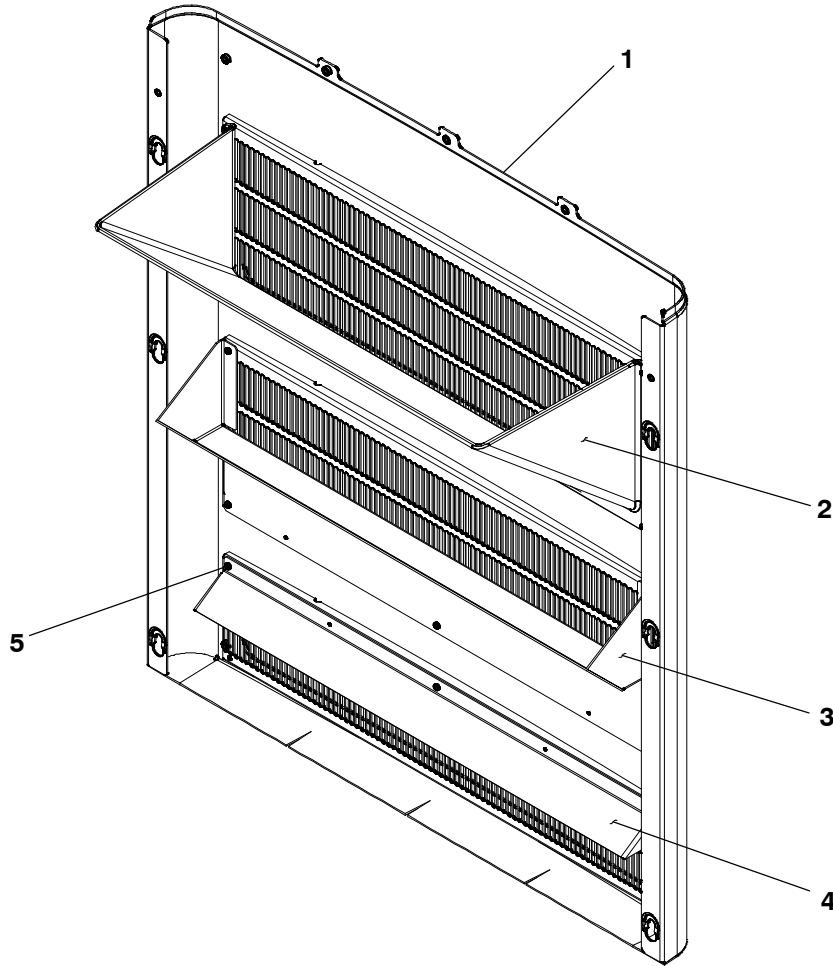
Panel Components



Panel Components

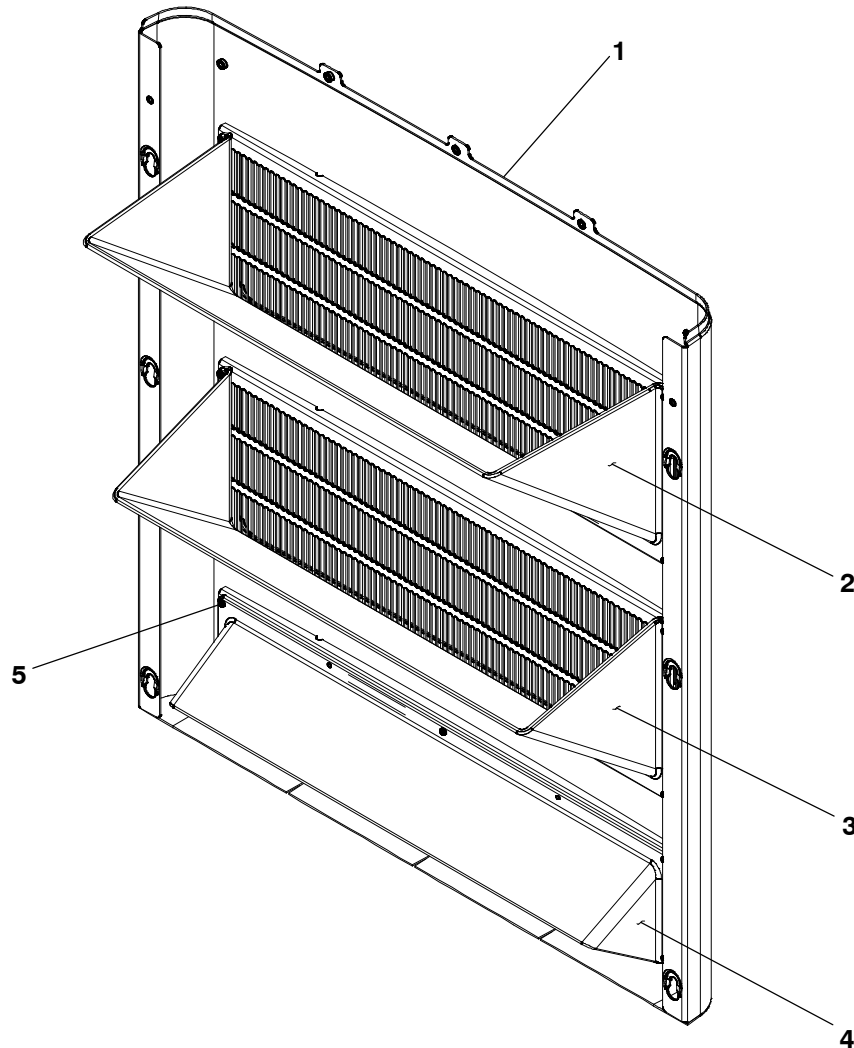
Item	Part No.	Description	Qty
1	A043G326	Panel, Enclosure	1
2	A043L271	Latch	2
3	A043L038	Hinge, Door	2
4	A043G316	Door, Enclosure	1
5	A043L274	Latch	1
6	A043M496	Insulation, Door	1
7	A043X496	Retainer, Insulation	1
8	A044L228	Washer, Lock	14
9	A043M506	Insulation, Panel	2
10	A043X494	Retainer, Insulation	4
11	0815-0792-02	Screw, Pan Head	8

Enclosure Cover Components – C20 N6, C22 N6, C25 N6, C30 N6H (Sandstone, Aluminum)



Item	Part No.	Description	Qty
1	A059W267	Cover, Enclosure	1
2	A043G320	Louver, Enclosure	1
3	A044B294	Louver, Enclosure	1
4	A044W723	Louver, Enclosure	1
5	0815-0792-05	Screw, Pan Head	13

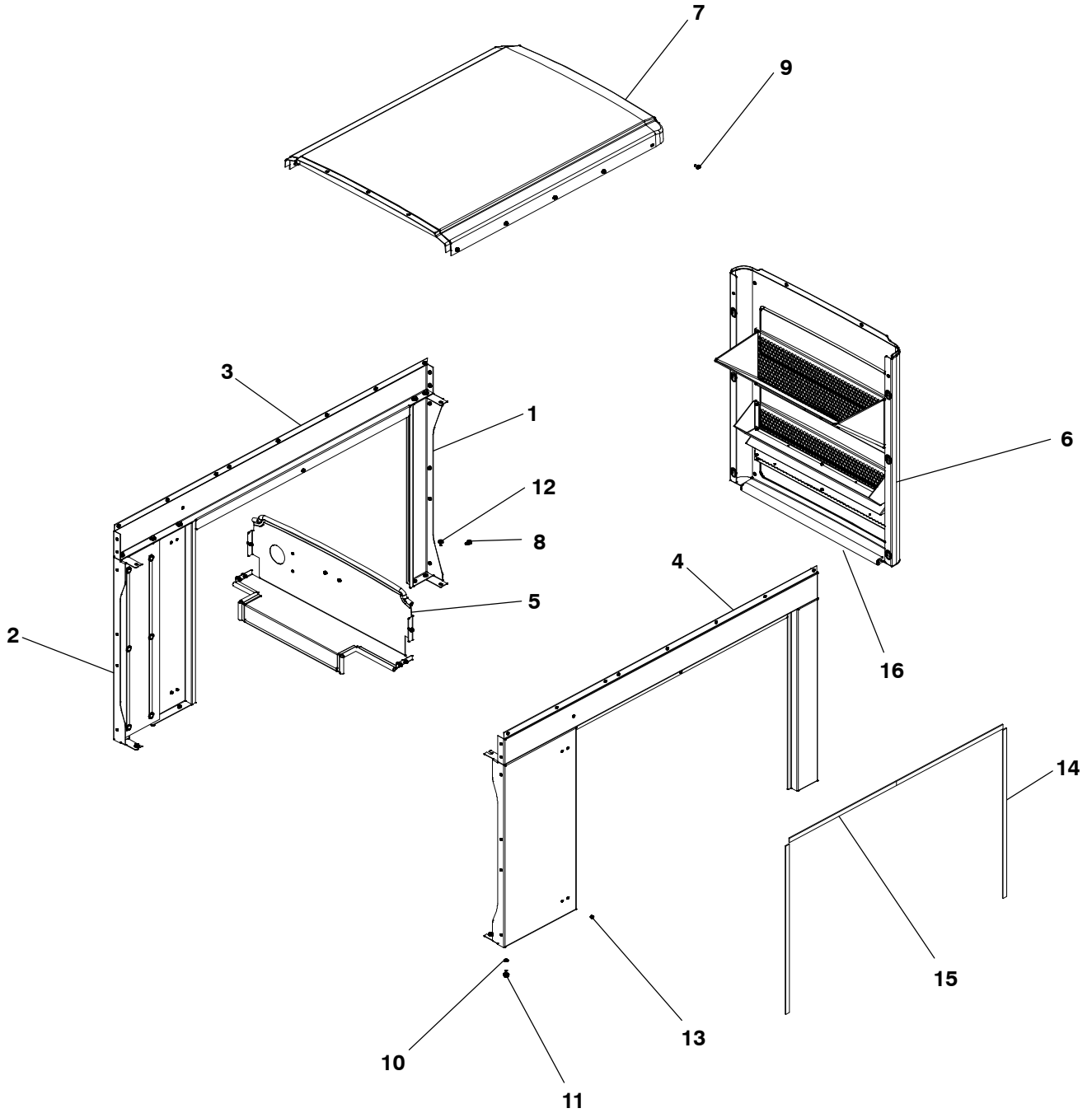
Enclosure Cover Components – C30 N6, C36 N6, C40 N6, C36 N6H, C40 N6H, C45 N6H, C50 N6H, C60 N6H (Sandstone, Aluminum)



Item	Part No.	Description	Qty
1	A059W267	Cover, Enclosure	1
2	A043G320	Louver, Enclosure	1
3	A043G318	Louver, Enclosure	1
4	A043G322	Louver, Enclosure	1
5	0815-0792-05	Screw, Pan Head	15

Enclosure

C20 N6, C22 N6, C25 N6, C30 N6 (Green, Aluminum) QS, 1st Stg



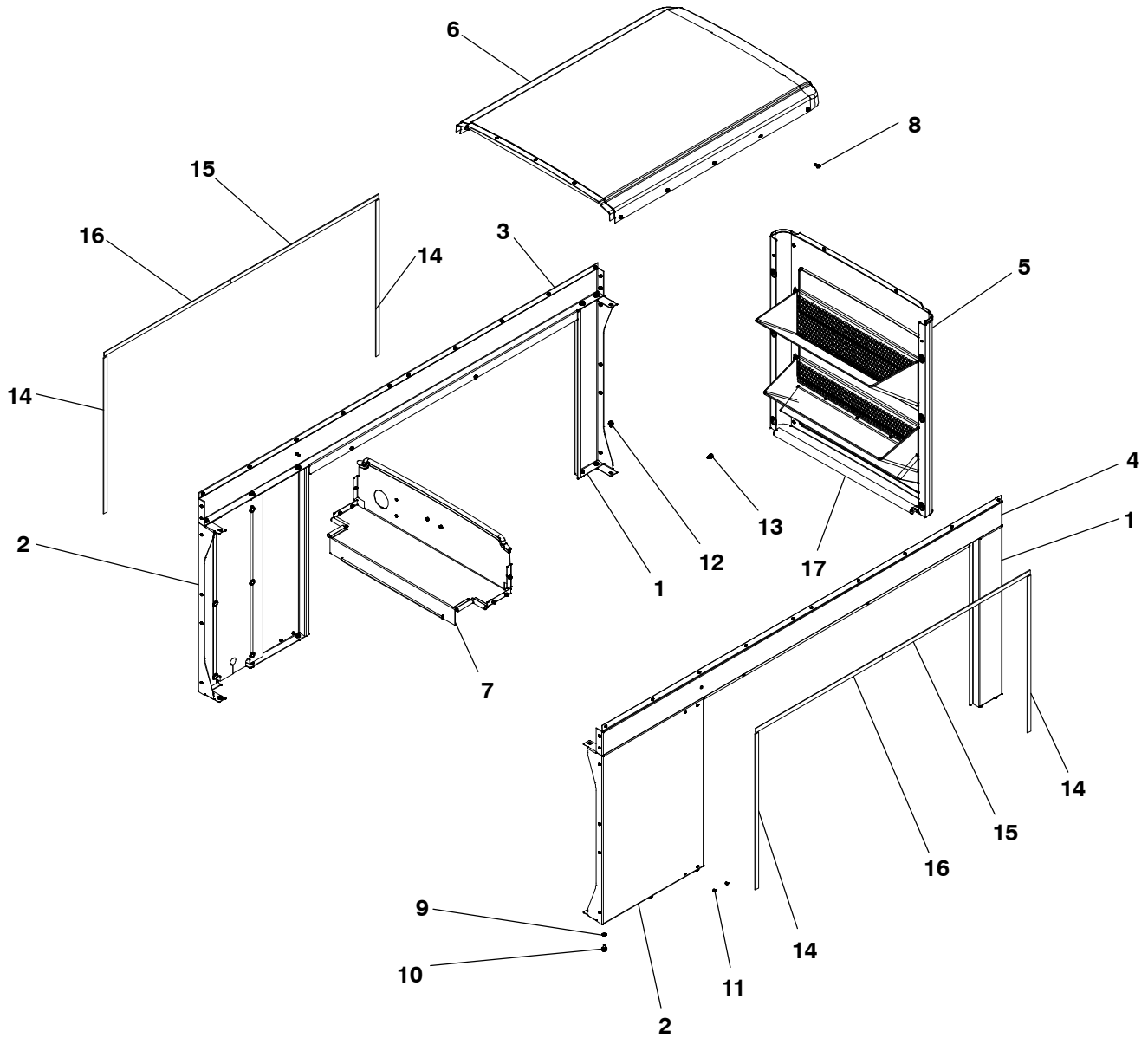
Enclosure

C20 N6, C22 N6, C25 N6, C30 N6 – QS, 1st Stg (Green, Aluminum)

Item	Part No.	Description	Qty
1	A045P578	Post, Enclosure	2
2	A045P230	Post, Enclosure	2
3	A045H450	Panel, Enclosure	1
4	A045P597	Panel, Enclosure	1
5	A048N767	Panel, Bulkhead	1
6	A059W277	Cover, Enclosure (See Page 224 for Components)	1
7	A045N469	Roof, Enclosure	1
8	A046T081	Screw, Shoulder	6
9	A050P483	Screw, Hex Flange Head	20
10	0853-2008	Washer, Lock	14
11	0821-6003-01	Screw, Hex Head	20
12	A045Z943	Screw, Hex Flange Head	4
13	0517-0131-03	Plug, Hole	4
14	0405-6460-02	Gasket	4
15	0405-6460-01	Gasket	4
16	A060B644	Seal, Weather	1

Enclosure

C30 N6, C36 N6, C40 N6, C36 N6H, C40 N6H, C45 N6H, C50 N6H, C60 N6H – QS, 1st Stg
(Green, Aluminum)

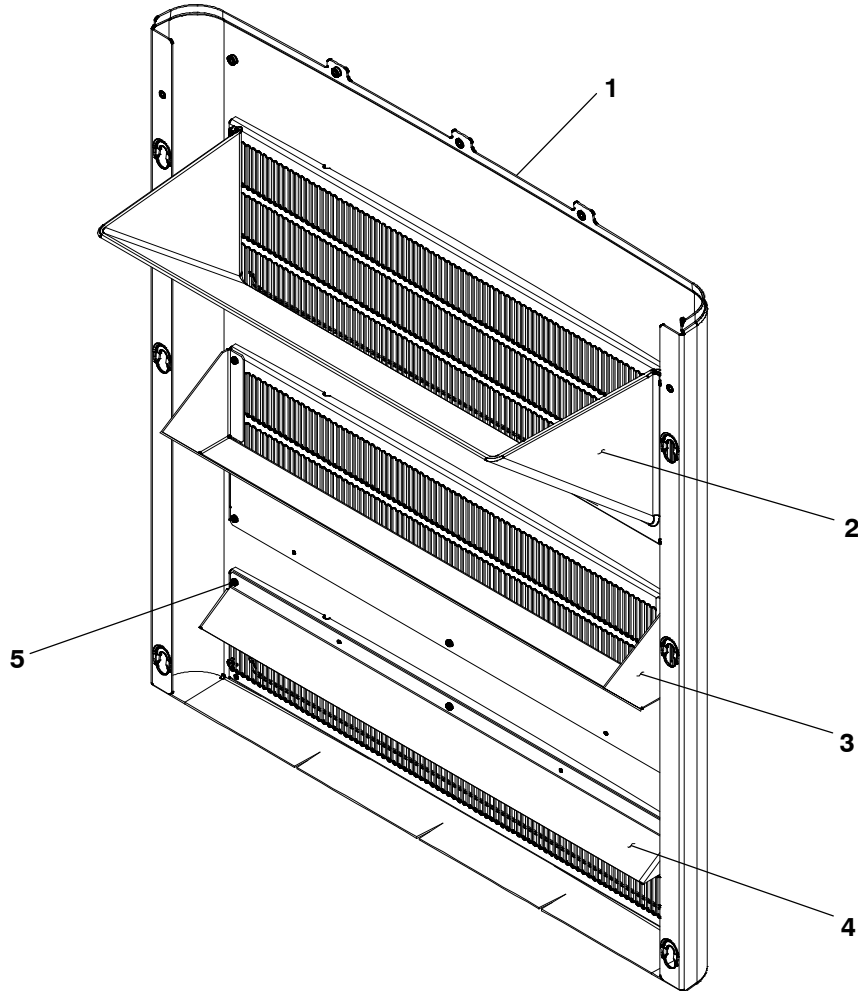


Enclosure

C30 N6, C36 N6, C40 N6, C36 N6H, C40 N6H, C45 N6H, C50 N6H, C60 N6H – QS, 1st Stg (Green, Aluminum)

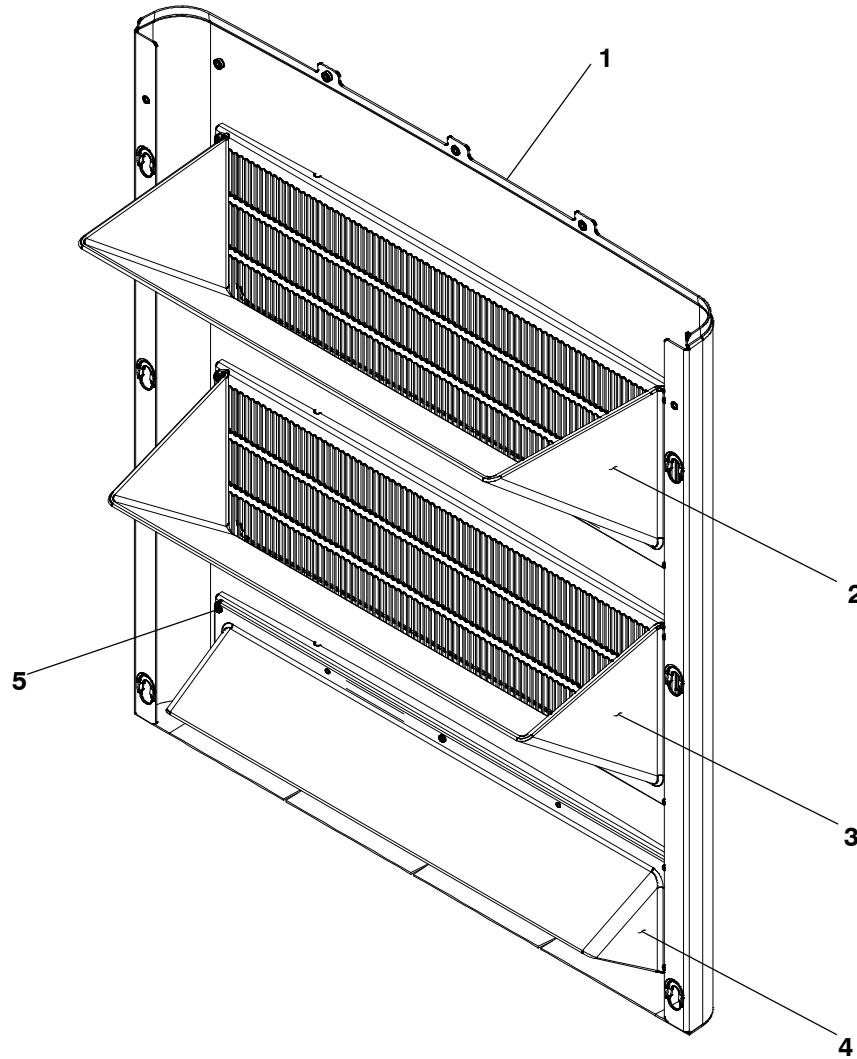
Item	Part No.	Description	Qty
1	A045M772	Post, Enclosure	2
2	A045N453	Post, Enclosure	2
3	A045M777	Panel, Enclosure	1
4	A045M779	Panel, Enclosure	1
5	A059W275	Cover, Enclosure (See Page 225 for Components)	1
6	A045N469	Roof, Enclosure	1
7	A048N765	Panel, Bulkhead	1
8	A050P483	Screw, Hex Flange Head	20
9	0853-2008	Washer, Lock	14
10	0821-6003-01	Screw, Hex Head	20
11	0517-0131-03	Plug, Hole	4
12	A045Z943	Screw, Hex Flange Head	4
13	A046T081	Screw, Shoulder	6
14	0405-6460-02	Gasket	4
15	0405-6460-10	Gasket	2
16	0405-6460-04	Gasket	2
17	A060B644	Seal, Weather	1

Enclosure Cover Components – C20 N6, C22 N6, C25 N6, C30 N6H (Green, Aluminum)



Item	Part No.	Description	Qty
1	A059W273	Cover, Enclosure	1
2	A043G320	Louver, Enclosure	1
3	A044B294	Louver, Enclosure	1
4	A044W723	Louver, Enclosure	1
5	0815-0792-05	Screw, Pan Head	13

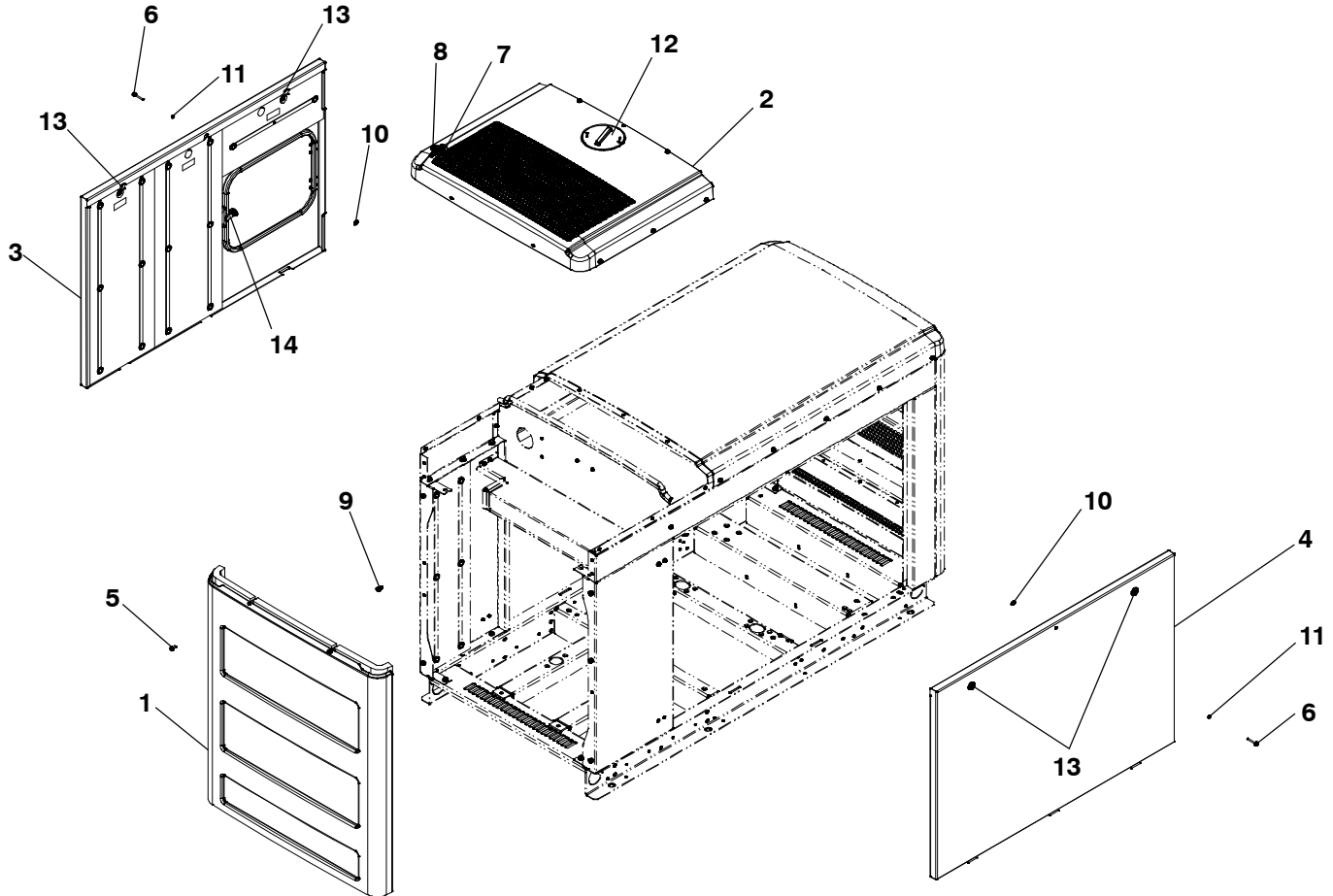
Enclosure Cover Components – C30 N6, C36 N6, C40 N6, C36 N6H, C40 N6H, C45 N6H, C50 N6H, C60 N6H (Green, Aluminum)



Item	Part No.	Description	Qty
1	A059W273	Cover, Enclosure	1
2	A043G320	Louver, Enclosure	1
3	A043G318	Louver, Enclosure	1
4	A043G322	Louver, Enclosure	1
5	0815-0792-05	Screw, Pan Head	15

Enclosure

C20 N6, C22 N6, C25 N6, C30 N6H (Green, Aluminum)

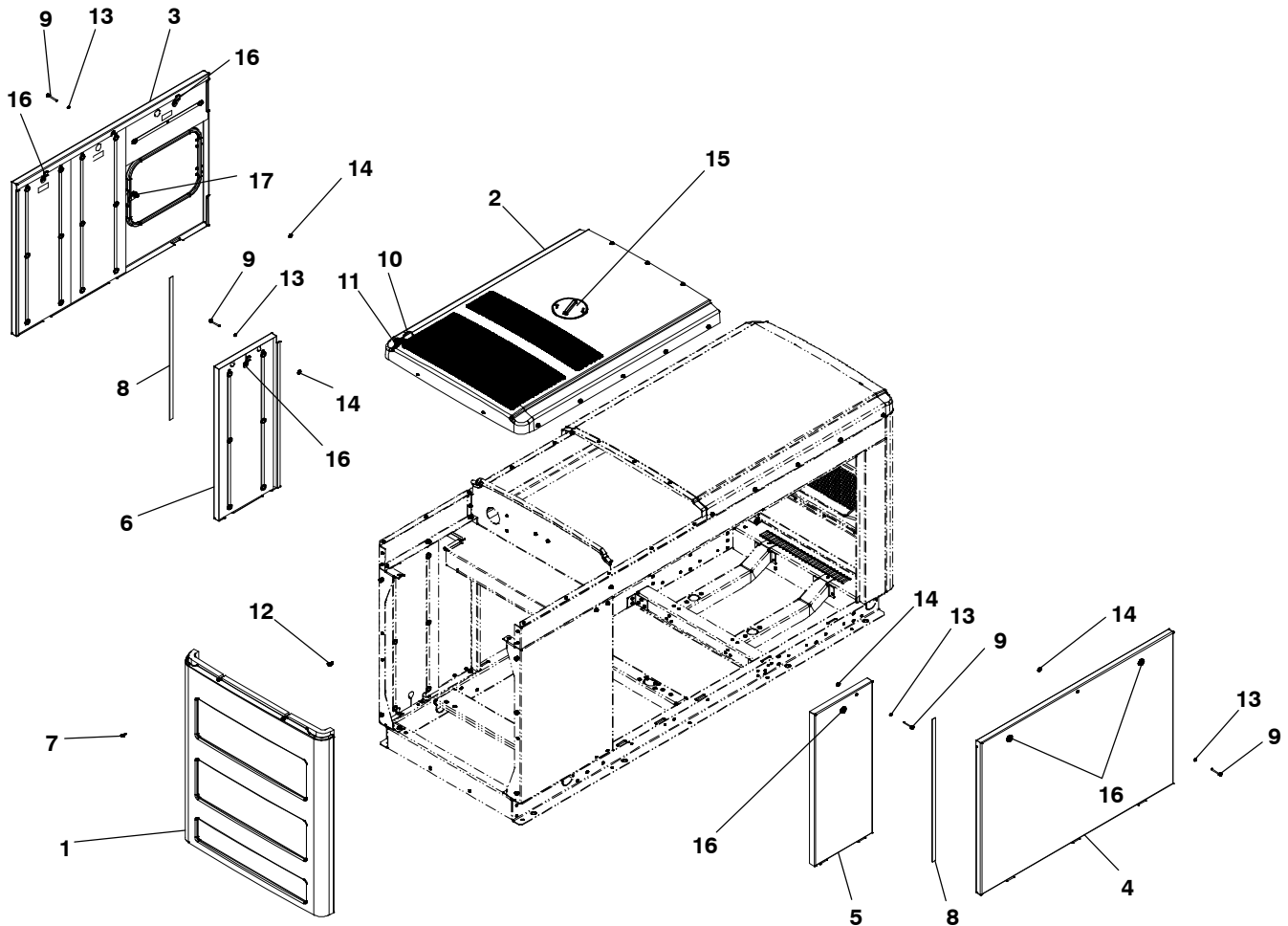


Item	Part No.	Description	Qty
1	A046T066	Installation, Cover	1
2	A045P601	Roof, Enclosure	1
3	A045N473	Panel, Enclosure (Includes Items 13 and 14)	1
4	A045N475	Panel, Enclosure (Includes Items 13)	1
5	0815-0857-02	Screw, Hex Head	13
6	0821-6002-08	Screw, Hex Head	2
7	0332-1794	Tie, Cable	1
8	A043G324	Key	1
9	A046T081	Screw, Shoulder	6
10	A046Z638	Washer, Lock	2
11	0853-0040-54	Washer, Lock	2
12	A045M805	Cap, Fill	1
13	A043L271	Latch	A/R
14	A043L274	Latch	1

This page is Intentionally blank.

Enclosure

C30 N6, C36 N6, C40 N6, C36 N6H, C40 N6H, C45 N6H, C50 N6H, C60 N6H (Green, Aluminum)

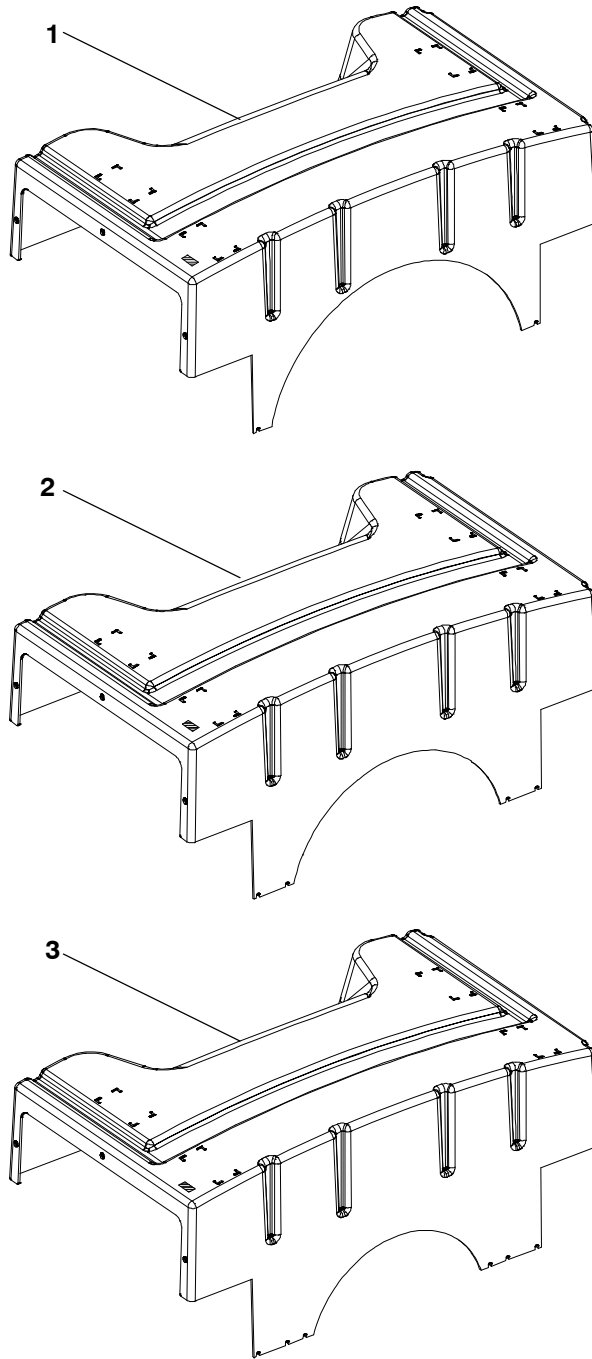


Enclosure

C30 N6, C36 N6, C40 N6, C36 N6H, C40 N6H, C45 N6H, C50 N6H, C60 N6H (Green, Aluminum)

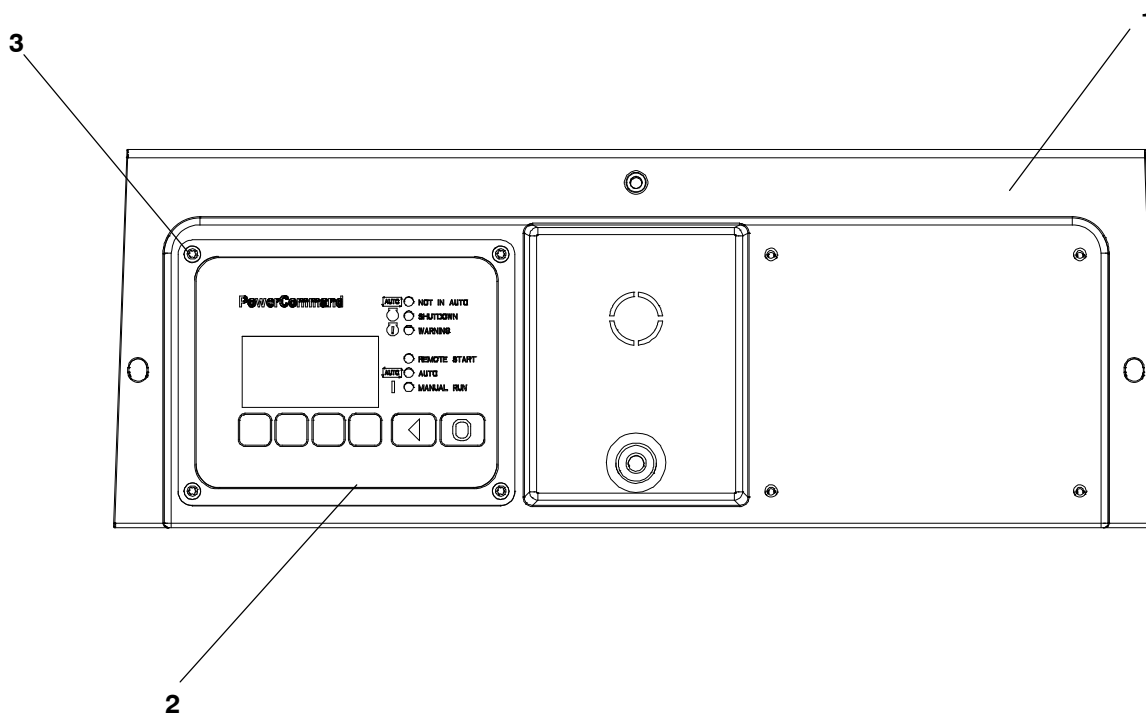
Item	Part No.	Description	Qty
1	A046T066	Installation, Cover	1
2	A045N471	Roof, Enclosure	1
3	A045N473	Panel, Enclosure (Includes Items 16 and 17)	1
4	A045N475	Panel, Enclosure (Includes Items 16)	1
5	A045N477	Panel, Enclosure (Includes Items 16)	1
6	A045N479	Panel, Enclosure (Includes Items 16)	1
7	0815-0857-02	Screw, Hex Head	17
8	0405-6460-02	Gasket	2
9	A044M379	Screw, Hex Flange Head	4
10	0332-1794	Tie, Cable	1
11	A043G324	Key	1
12	A046T081	Screw, Shoulder	1
13	0853-0040-54	Washer, Lock	4
14	A046Z638	Washer, Lock	1
15	A043J739	Cap, Fill	1
16	A043L271	Latch	A/R
17	A043L274	Latch	1

Panel Roof



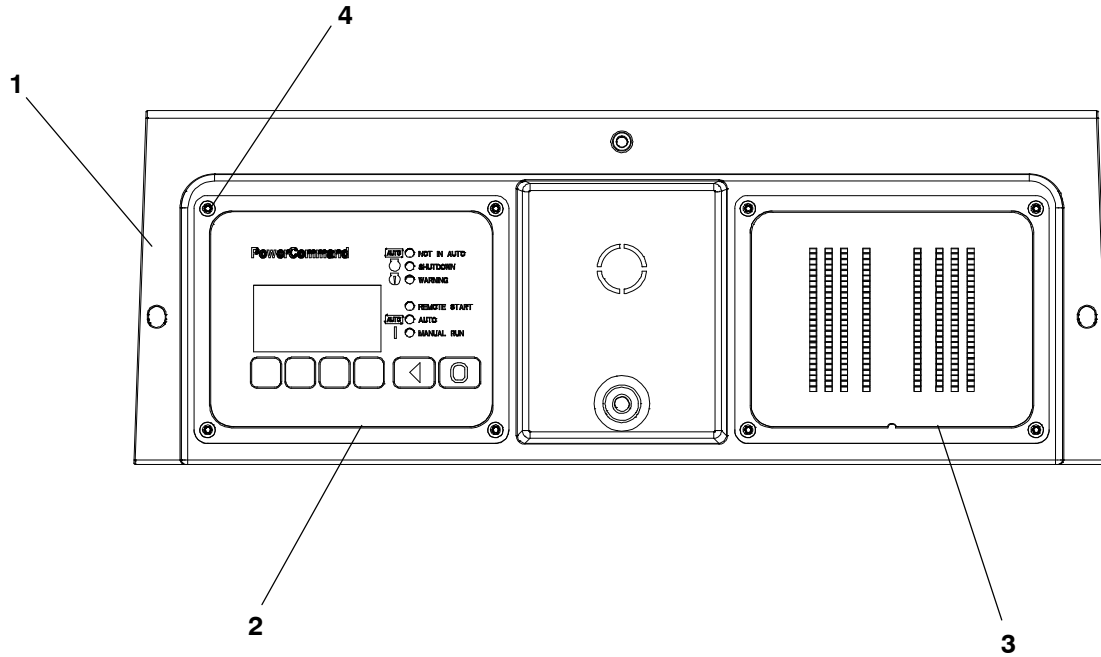
Item	Part No.	Description	Qty
1	A042X755	Roof, Panel (CA135) – C40 N6H, C45 N6H, C50 N6H, C60 N6H	1
2	A044A515	Roof, Panel (CA125) – C36 N6, C40 N6,	1
3	A043Y556	Roof, Panel (CA115) – C30 N6, C36 N6, C40 N6, C36 N6H, C40 N6H, C45 N6H, C50 N6H	1

Display Panel Standard



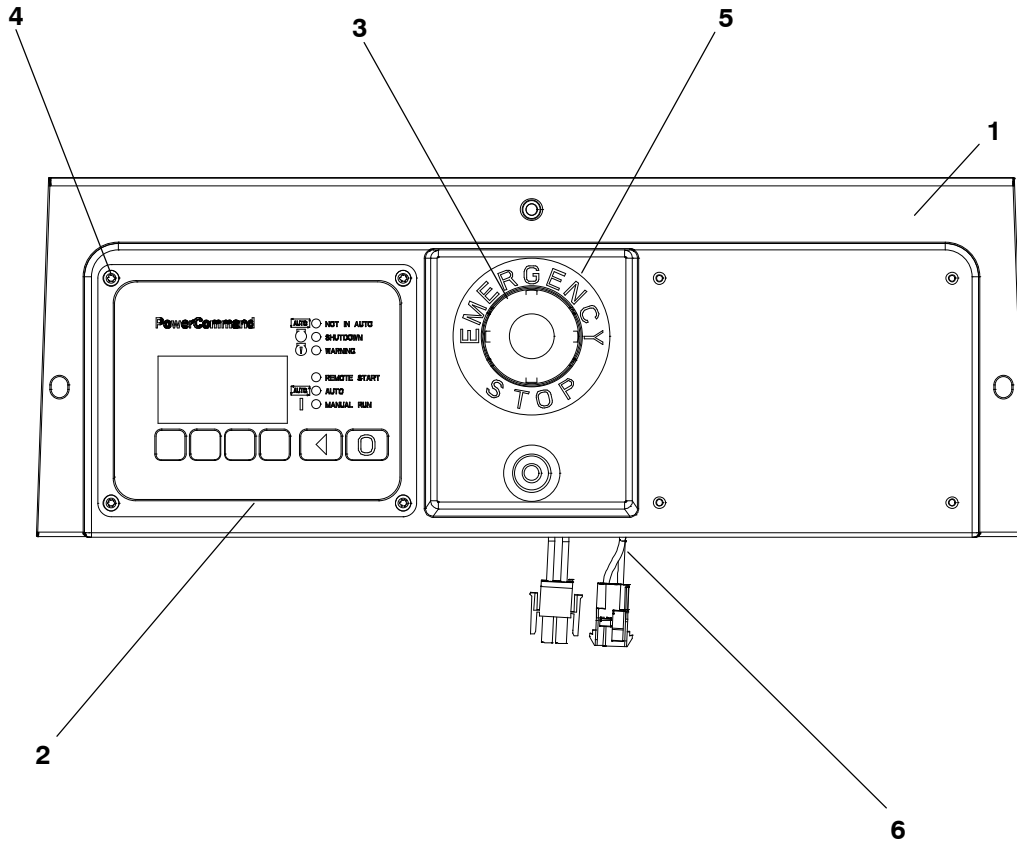
Item	Part No.	Description	Qty
1	A043X343	Panel, Display	1
2	0300-6014	Control, Genset	1
3	A043E872	Screw, Pan Head	4

Display Panel Bargraph



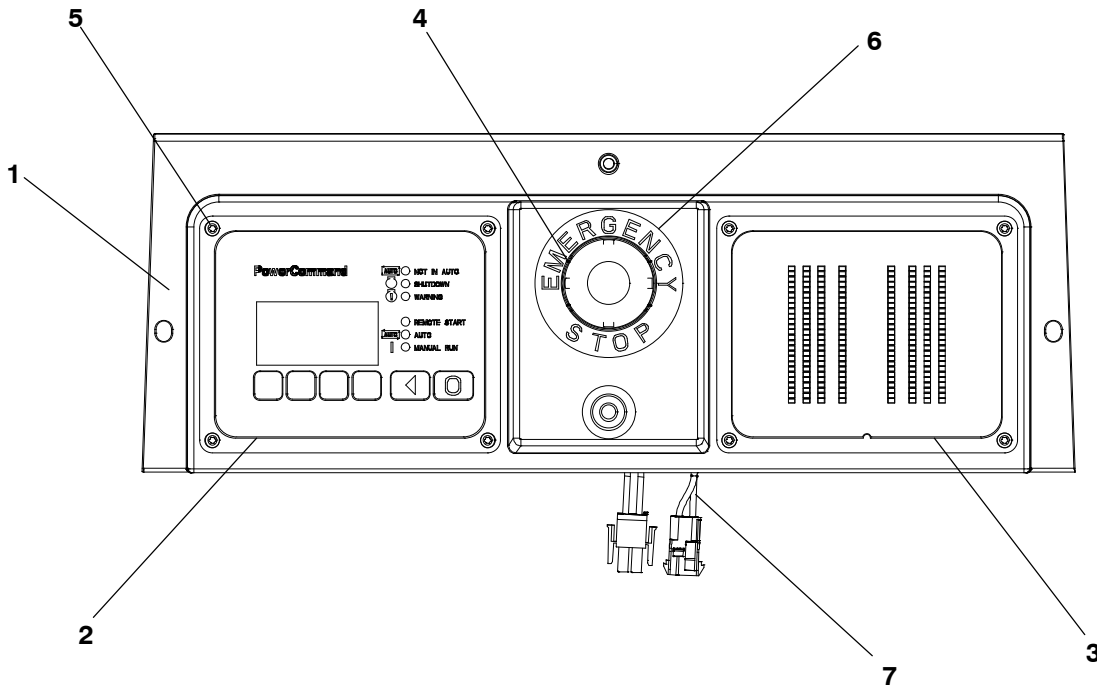
Item	Part No.	Description	Qty
1	A042X753	Panel, Display	1
2	0300-6014	Control, Genset	1
3	0300-6050-02	Display, Control	1
4	A043E872	Screw, Pan Head	8

Display Panel E-Stop



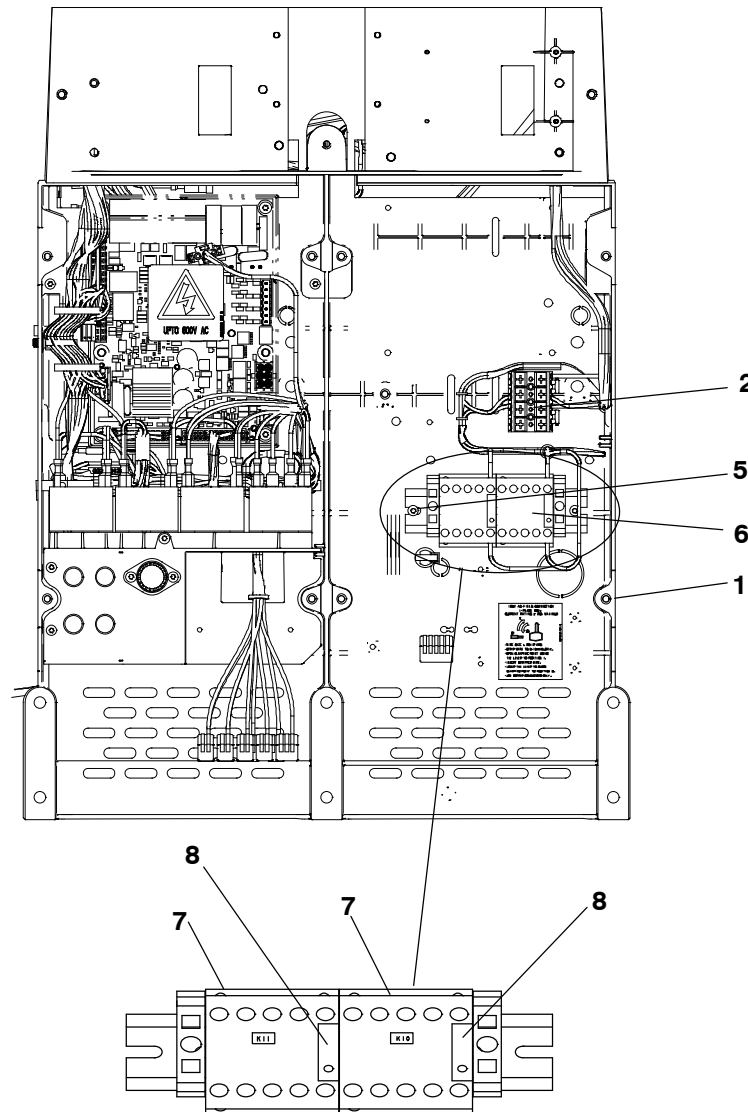
Item	Part No.	Description	Qty
1	A043X343	Panel, Display	1
2	0300-6014	Control, Genset	1
3	0319-6766	Guard, Electrical	1
4	A043E872	Screw, Pan Head	4
5	0308-1177	Bezel, Switch	1
6	A043E232	Harness, Generator Electrical	1

Display Panel Bargraph and E-Stop



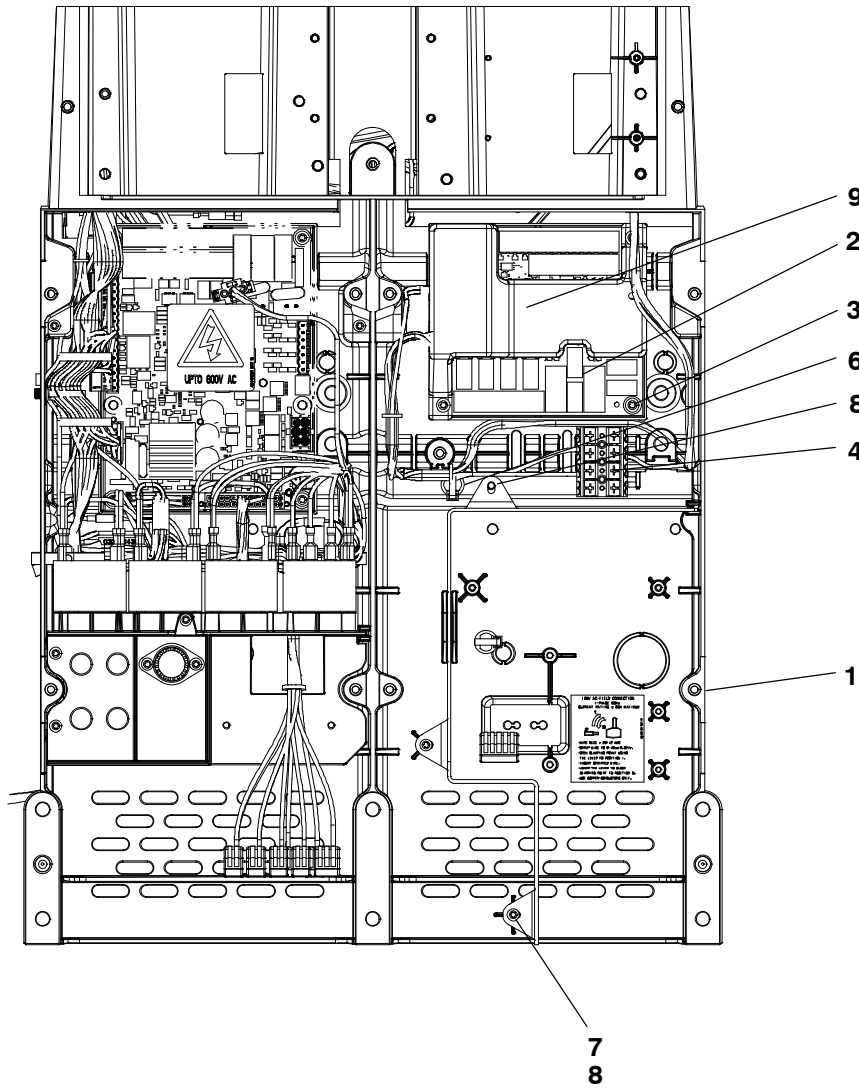
Item	Part No.	Description	Qty
1	A042X753	Panel, Display	1
2	0300-6014	Control, Genset	1
3	0300-6050-02	Display, Control	1
4	0319-6766	Guard, Electrical	1
5	A043E872	Screw, Pan Head	8
6	0308-1177	Bezel, Switch	1
7	A043E232	Harness, Generator Electrical	1

Control Box Relay



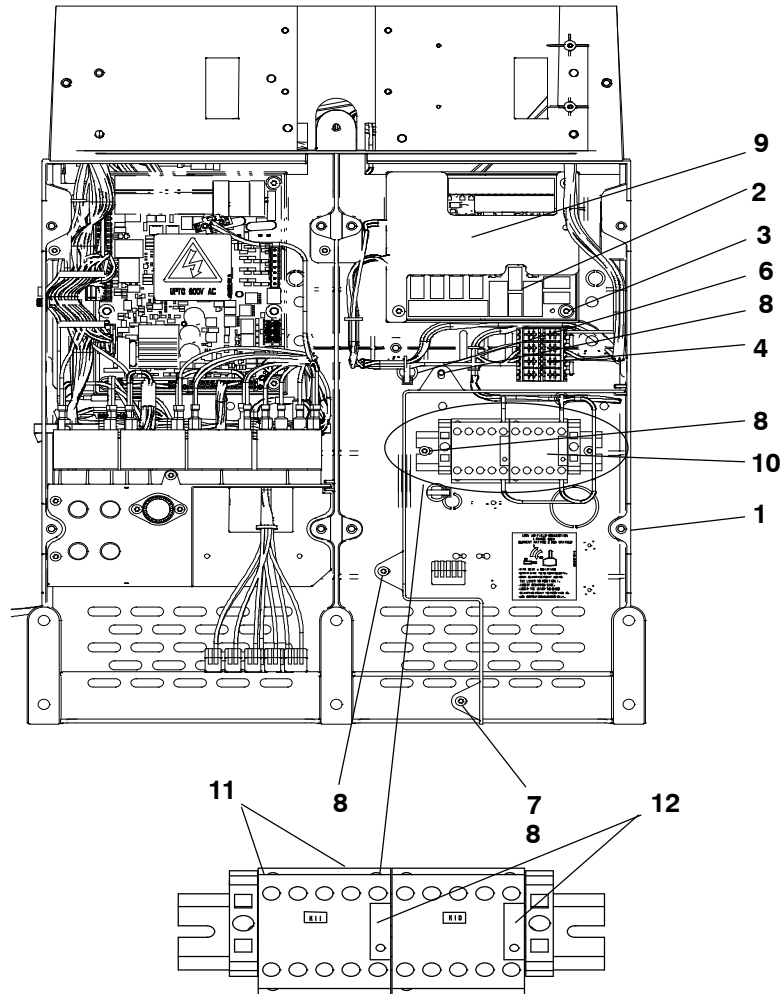
Item	Part No.	Description	Qty
1	A044B212	Box, Control (See Page 239 for Components)	1
2	A043B108	Harness, Generator Electrical	1
3	A043E872	Screw, Pan Head (Not Illustrated)	1
4	A044D694	Tie, Cable (Not Illustrated)	2
5	A042Y727	Screw, Pan Head	2
6	A042Z041	Harness, Relay	1
7	0307-2873	Relay, Control	2
8	0305-1009	Suppressor, Voltage	2

Control Box Aux-101



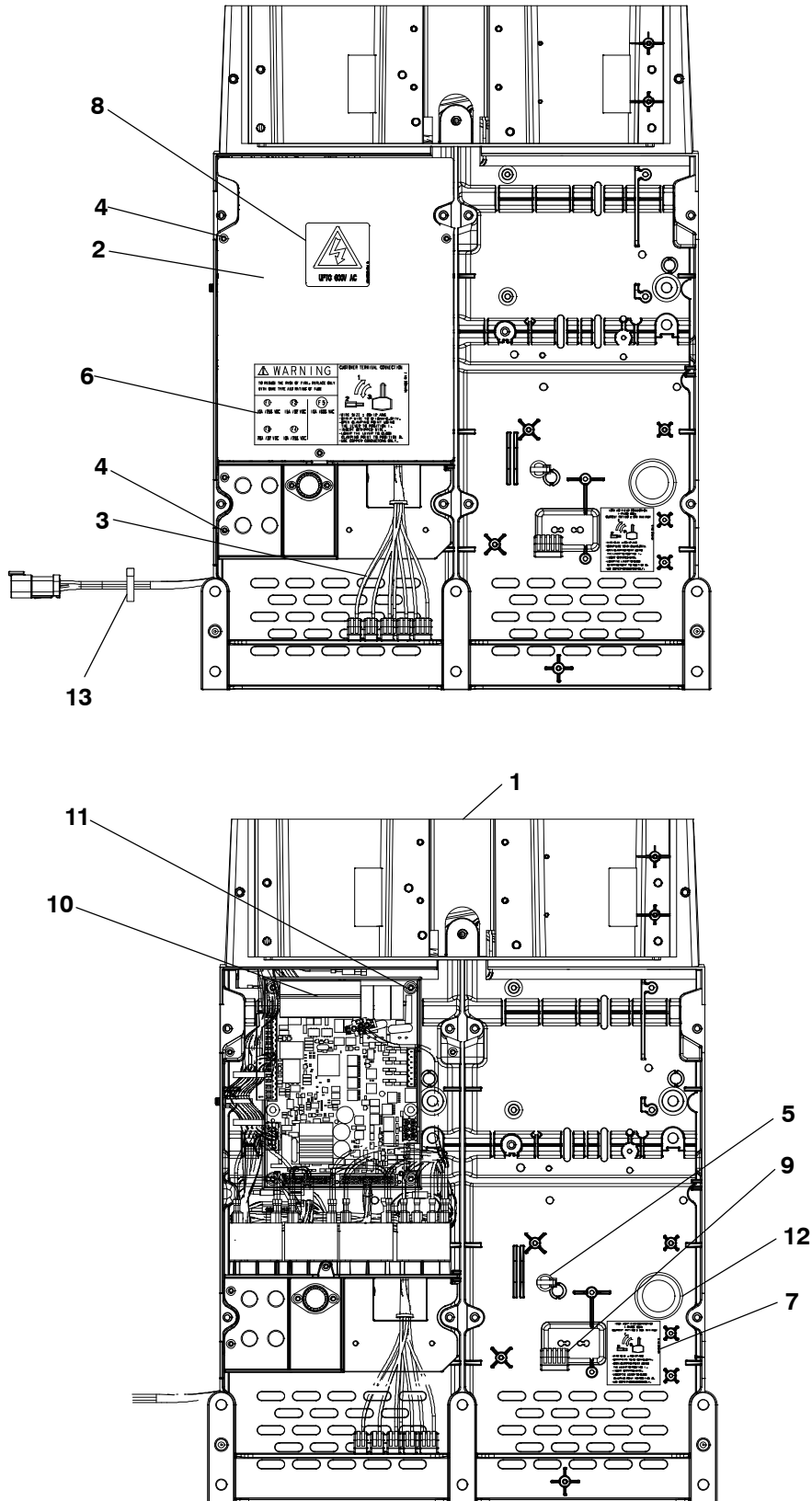
Item	Part No.	Description	Qty
1	A044B212	Box, Control (See Page 239 for Components)	1
2	0327-1536	Card, Input Output	1
3	A042Y707	Screw, Pan Head	4
4	A043B108	Harness, Generator Electrical	1
5	A043E872	Screw, Pan Head (Not Illustrated)	1
6	A044D694	Tie, Cable	3
7	A042X751	Guard, Electrical	1
8	A042Y727	Screw, Pan Head	3
9	A043A230	Harness, Circuit Card	1

Control Box Aux-101 and Relay



Item	Part No.	Description	Qty
1	A044B212	Box, Control (See Page 239 for Components)	1
2	0327-1536	Card, Input Output	1
3	A042Y707	Screw, Pan Head	4
4	A043B108	Harness, Generator Electrical	1
5	A043E872	Screw, Pan Head (Not Illustrated)	1
6	A044D694	Tie, Cable	3
7	A042X751	Guard, Electrical	1
8	A042Y727	Screw, Pan Head	5
9	A043A230	Harness, Circuit Card	1
10	A042Z041	Harness, Relay	1
11	0307-2873	Relay, Control	2
12	0305-1009	Suppressor, Voltage	2

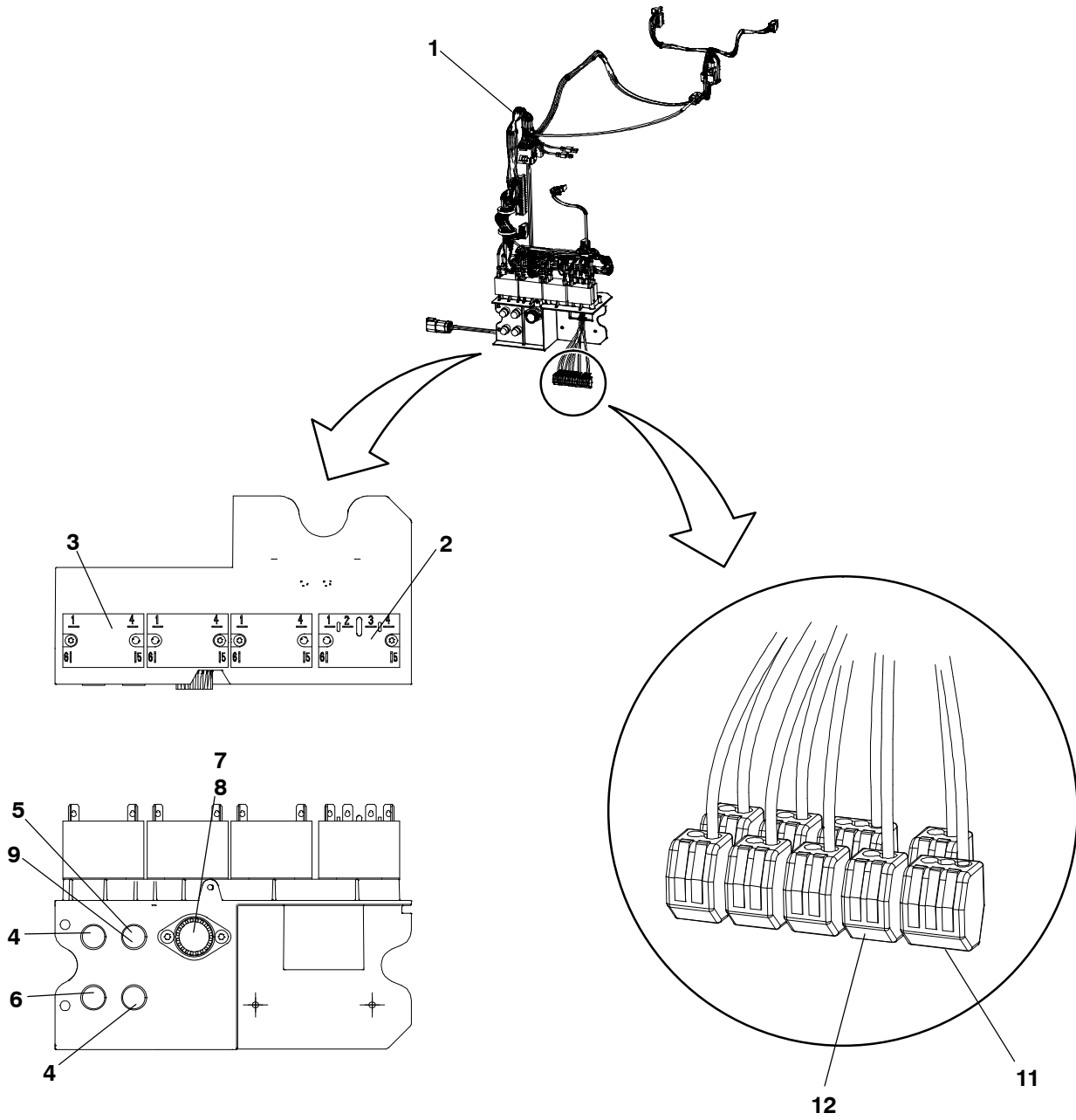
Control Box Components



Control Box Components

Item	Part No.	Description	Qty
1	A042X733	Box, Plastic	1
2	A043C438	Cover, Control	1
3	A043G986	Harness, Generator Electrical (See Page 241 for Service Parts)	1
4	A042Y727	Screw, Pan Head	5
5	A044D694	Tie, Cable	6
6	A048G961	Label, Marking	1
7	A048H191	Label	1
8	A048G965	Label, Warning	1
9	A046D267	Connector, Terminal Block	3
10	A043W505	Card, Control	1
11	A042Y707	Screw, Pan Head	4
12	A046S585	Grommet	1
13	0332-1794	Tie, Cable	1

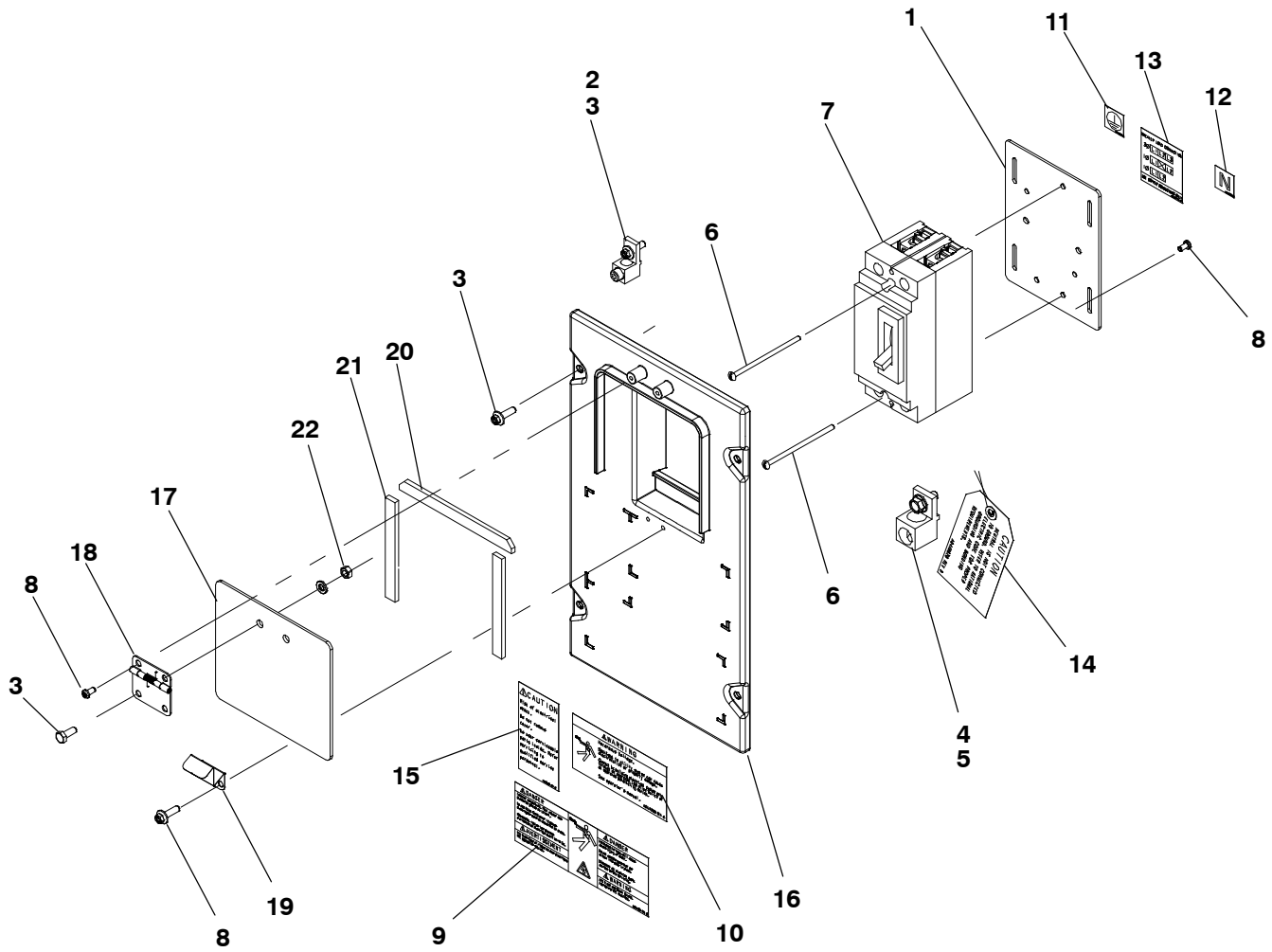
Generator Electrical Harness (Service Parts)



Generator Electrical Harness (Service Parts)

Item	Part No.	Description	Qty
1	A043G986	Harness, Generator Electrical	1
2	0307-2968-01	Relay, Power	1
3	0307-2968-03	Relay, Power	3
4	0321-0372-05	Fuse (10A)	2
5	0321-0372-06	Fuse (15A)	1
6	0321-0372-07	Fuse (20A)	1
7	A042Z462	Holder, Fuse	1
8	A042Z472	Fuse	1
9	0321-0175	Holder, Fuse	4
10	A043H813	Block, Terminal (Not Shown)	4
11	A034P636	Connector, Terminal Block (3 Connectors)	2
12	A034P713	Connector, Terminal Block (2 Connectors)	8

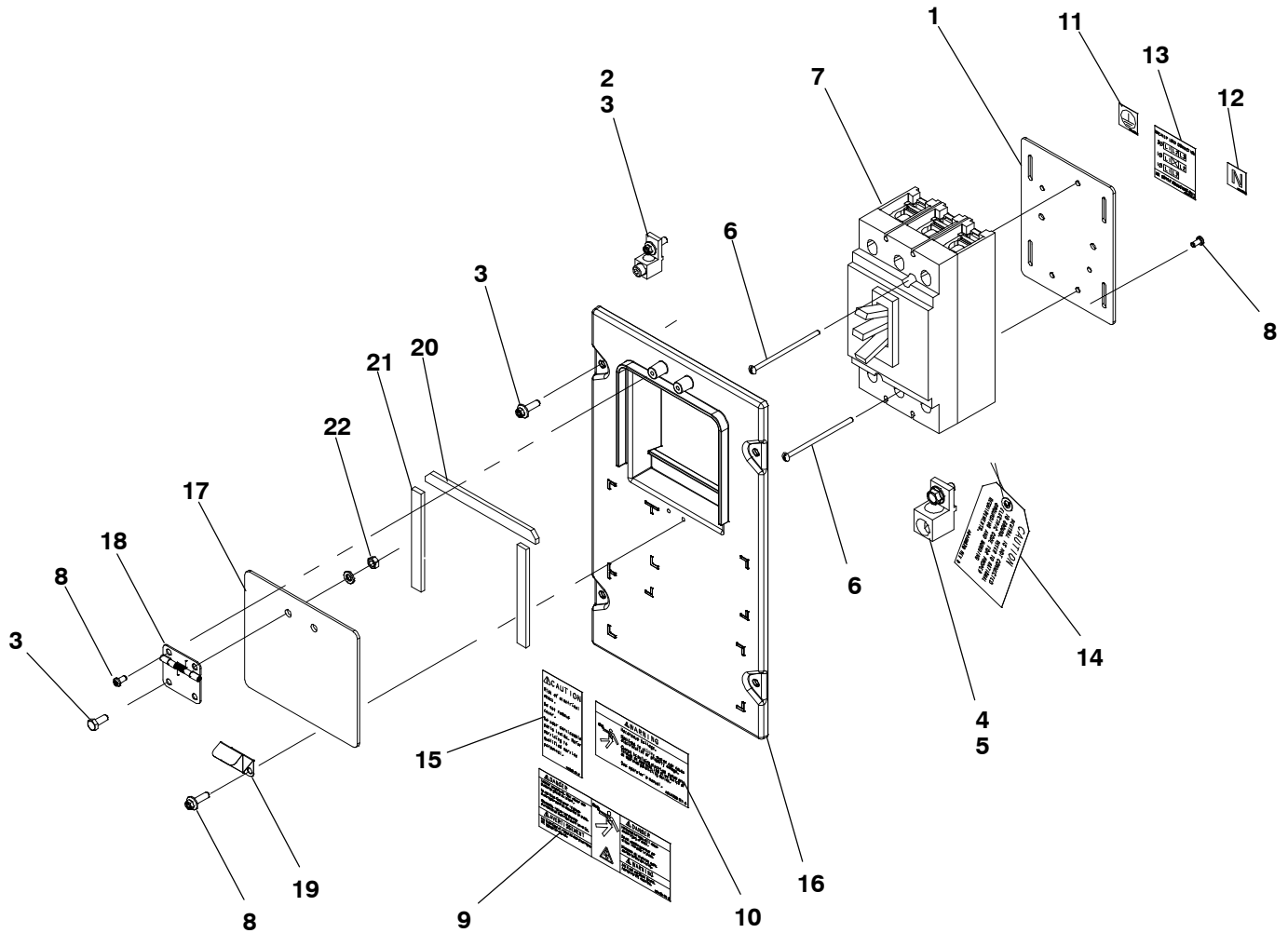
Circuit Breaker 2 Pole, H Frame



Circuit Breaker 2 Pole, H Frame

Item	Part No.	Description	Qty
1	A044D162	Bracket, Mounting	1
2	0332-3084	Lug, Solderless	1
3	0815-0857-02	Screw, Hex Head	7
4	A047D352	Lug, Solderless	1
5	0800-6524-02	Screw, Hex Flange Head	1
6	0812-0094	Screw, Round Head	2
7		Breaker, Circuit	
	A044Z190	150A	1
	A044Z191	125A	1
	A044Z192	100A	1
	A044Z193	90A	1
	A044Z194	80A	1
	A044Z195	70A	1
	A044Z196	60A	1
	A044Z197	50A	1
	A044Z198	40A	1
	A044Z199	30A	1
	A044Z203	25A	1
	A044Z200	20A	1
	A044Z201	15A	1
8	A042Y727	Screw, Pan Head	8
9	A044F254	Label, Warning	1
10	A048H031	Label, Warning	1
11	A044F269	Label, Ground	1
12	A044H599	Label, Neutral	1
13	A048G956	Label, Marking	1
14	A048G968	Tag, Terminal	1
15	A048H035	Label, Warning	1
16	A042X738	Cover, Circuit Breaker	1
17	A046H953	Cover, Circuit Breaker	1
18	A046H951	Hinge, Door	1
19	A046R458	Catch, Door	1
20	A046T825	Seal, Weather	1
21	A046T827	Seal, Weather	2
22	0870-2065-02	Nut, Hex	2

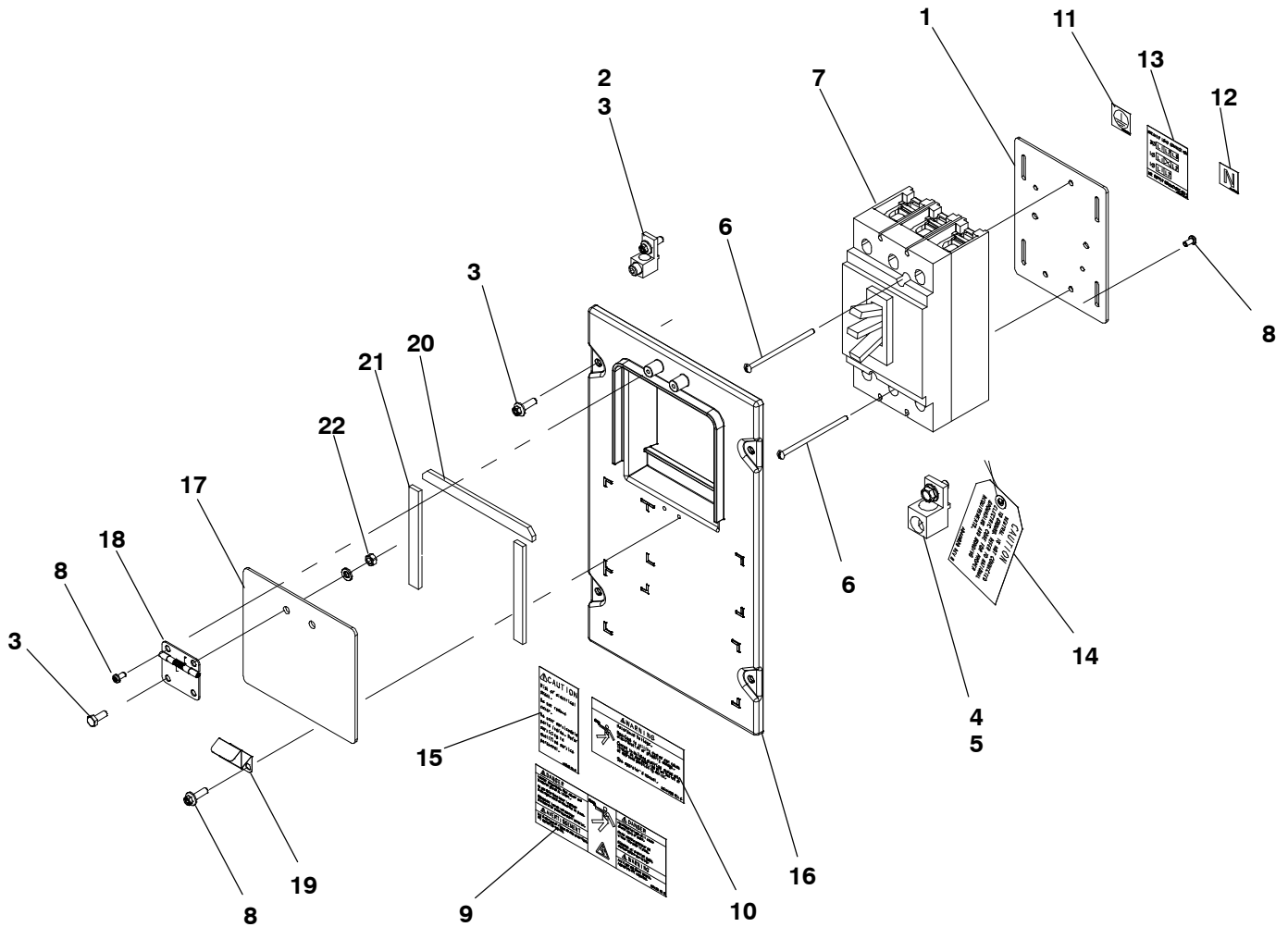
Circuit Breaker 2 & 3 Pole, J Frame



Circuit Breaker 2 & 3 Pole, J Frame

Item	Part No.	Description	Qty
1	A044D162	Bracket, Mounting	1
2	0332-3084	Lug, Solderless	1
3	0815-0857-02	Screw, Hex Head	7
4	A047D352	Lug, Solderless	1
5	0800-6524-02	Screw, Hex Flange Head	1
6	0812-0094	Screw, Round Head	2
7		Breaker, Circuit	
		2 Pole	
	A044Z045	250A	1
	A044Z182	225A	1
	A044Z183	200A	1
	A044Z184	175A	1
		3 Pole	
	A044Z185	250A	1
	A044Z186	225A	1
	A044Z187	200A	1
	A044Z189	175A	1
	A048N320	225A (CU Lug)	1
	A044Z217	250A – Electronic Trip	1
	A050P695	250A (CU Lug) – LSI Electronic Trip 100%	1
	A050P694	250A (CU Lug) – LSI Electronic Trip 80%	1
8	A042Y727	Screw, Pan Head	8
9	A044F254	Label, Warning	1
10	A048H031	Label, Warning	1
11	A044F269	Label, Ground	1
12	A044H599	Label, Neutral	1
13	A048G956	Label, Marking	1
14	A048G968	Tag, Terminal	1
15	A048H035	Label, Warning	1
16	A042X740	Cover, Circuit Breaker	1
17	A046H953	Cover, Circuit Breaker	1
18	A046H951	Hinge, Door	1
19	A046R458	Catch, Door	1
20	A046T825	Seal, Weather	1
21	A046T827	Seal, Weather	2
22	0870-2065-02	Nut, Hex	2

Circuit Breaker 3 Pole, H Frame

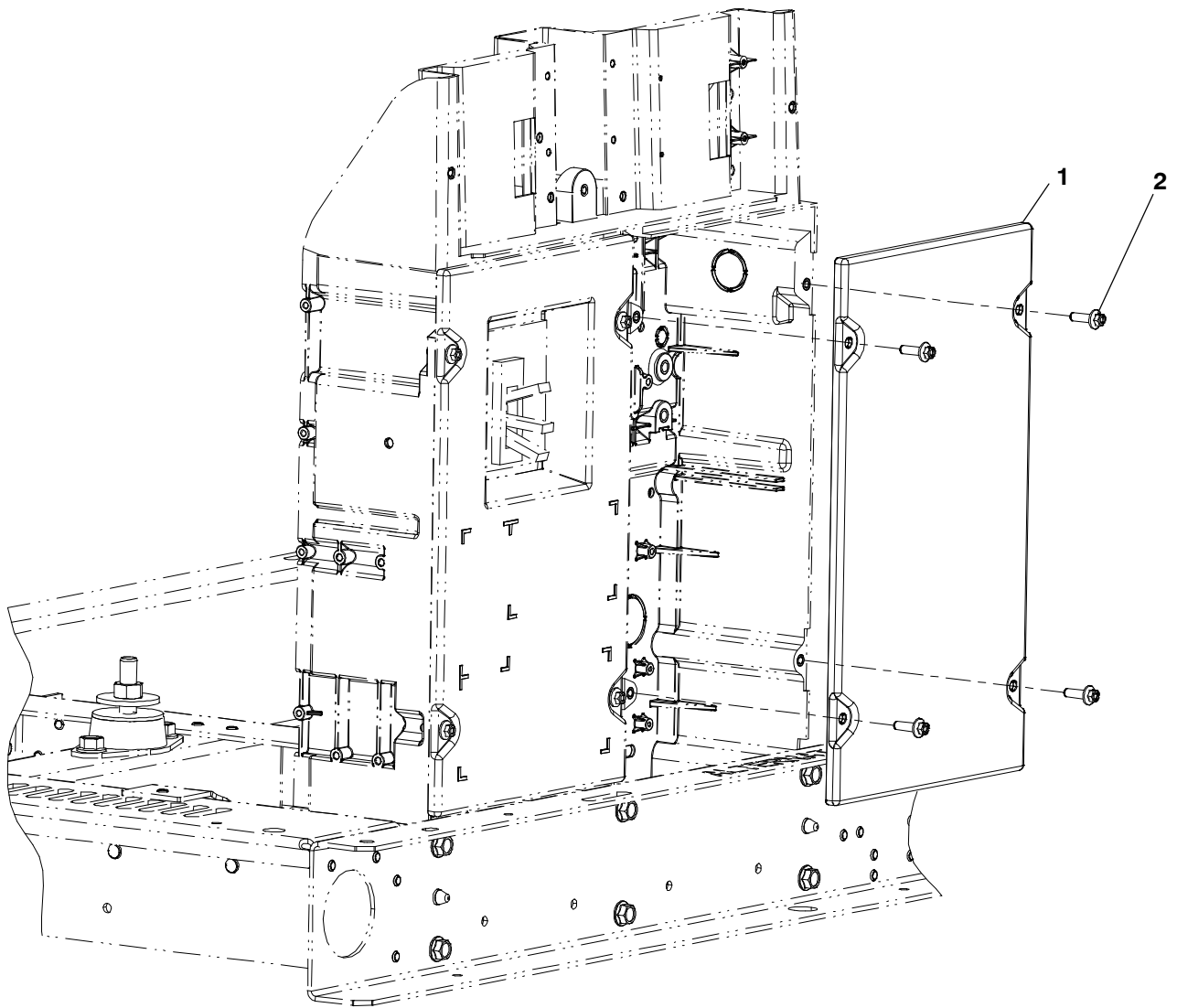


Circuit Breaker

3 Pole, H Frame

Item	Part No.	Description	Qty
1	A044D162	Bracket, Mounting	1
2	0332-3084	Lug, Solderless	1
3	0815-0857-03	Screw, Hex Head	7
4	A047D352	Lug, Solderless	1
5	0800-6524-02	Screw, Hex Flange Head	1
6	0812-0094	Screw, Round Head	2
7		Breaker, Circuit	
	A044Z204	150A	1
	A044Z205	125A	1
	A044Z208	100A	1
	A044Z206	90A	1
	A044Z207	80A	1
	A044Z209	70A	1
	A044Z210	60A	1
	A044Z211	50A	1
	A044Z212	40A	1
	A044Z213	30A	1
	A044Z216	25A	1
	A044Z214	20A	1
	A044Z215	15A	1
8	A042Y727	Screw, Pan Head	8
9	A044F254	Label, Warning	1
10	A048H031	Label, Warning	1
11	A044F269	Label, Ground	1
12	A044H599	Label, Neutral	1
13	A048G956	Label, Marking	1
14	A048G968	Tag, Terminal	1
15	A048H035	Label, Warning	1
16	A042X740	Cover, Circuit Breaker	1
17	A046H953	Cover, Circuit Breaker	1
18	A046H951	Hinge, Door	1
19	A046R458	Catch, Door	1
20	A046T825	Seal, Weather	1
21	A046T827	Seal, Weather	2
22	0870-2065-02	Nut, Hex	2

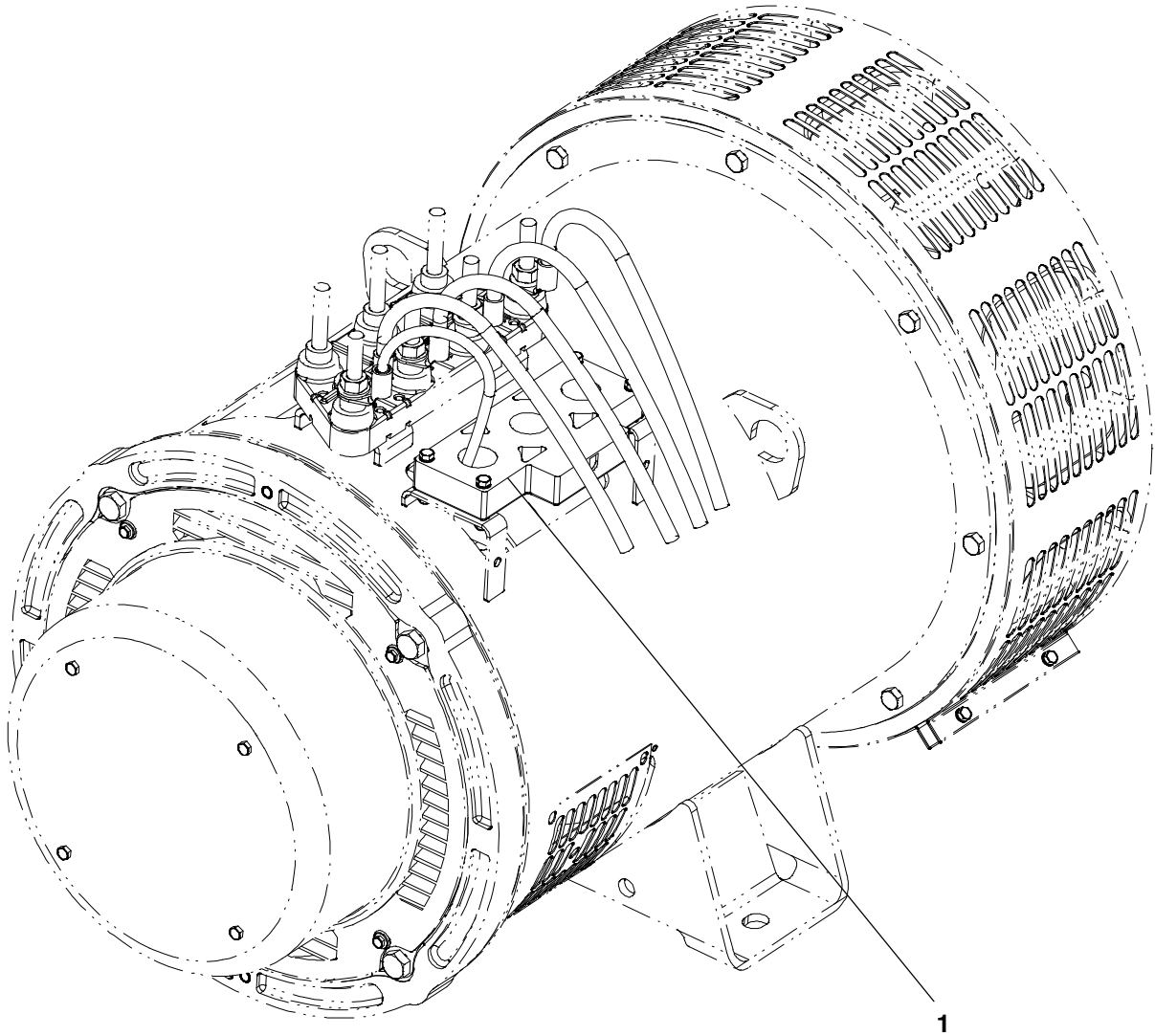
Circuit Breaker Door



Item	Part No.	Description	Qty
1	A042X758	Cover, Box	1
2	0815-0857-02	Screw, Hex Head	4

This page is Intentionally blank.

Current Transformer

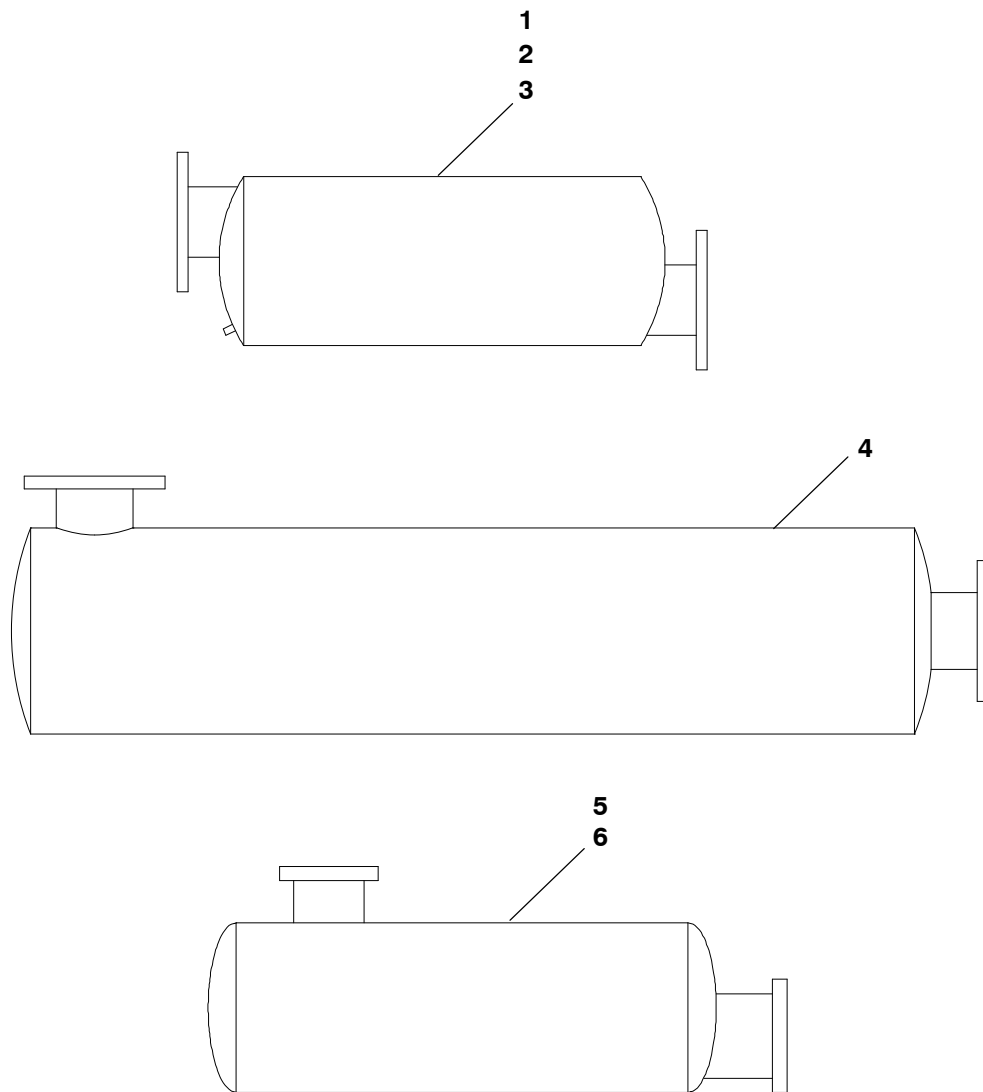


Current Transformer

Item	Part No.	Description	Qty
1		Transformer, Current	
	A046J624	CT Primary – 25 (3 Phase)	1
	A043E623	CT Primary – 75 (3 Phase)	1
	A043E627	CT Primary – 120 (3 Phase)	1
	A043E633	CT Primary – 200 (3 Phase)	1
	A043E615	CT Primary – 50 (3 Phase)	1
	A043E621	CT Primary – 60 (3 Phase)	1
	A043E629	CT Primary – 150 (3 Phase)	1
	A043E633	CT Primary – 200 (3 Phase)	1
	A043E635	CT Primary – 250 (3 Phase)	1
	A043E647	CT Primary – 300 (3 Phase)	1
	A046J625	CT Primary – 25 (1 Phase)	1
	A043E648	CT Primary – 50 (1 Phase)	1
	A043E649	CT Primary – 60 (1 Phase)	1
	A043E650	CT Primary – 75 (1 Phase)	1
	A043E651	CT Primary – 100 (1 Phase)	1
	A043E653	CT Primary – 120 (1 Phase)	1
	A043E654	CT Primary – 150 (1 Phase)	1
	A043E655	CT Primary – 200 (1 Phase)	1
	A043E656	CT Primary – 250 (1 Phase)	1
	A043E657	CT Primary – 300 (1 Phase)	1

Accessories and Kits

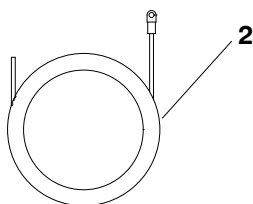
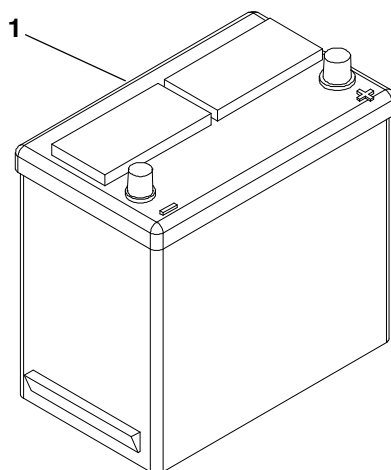
Muffler



Muffler

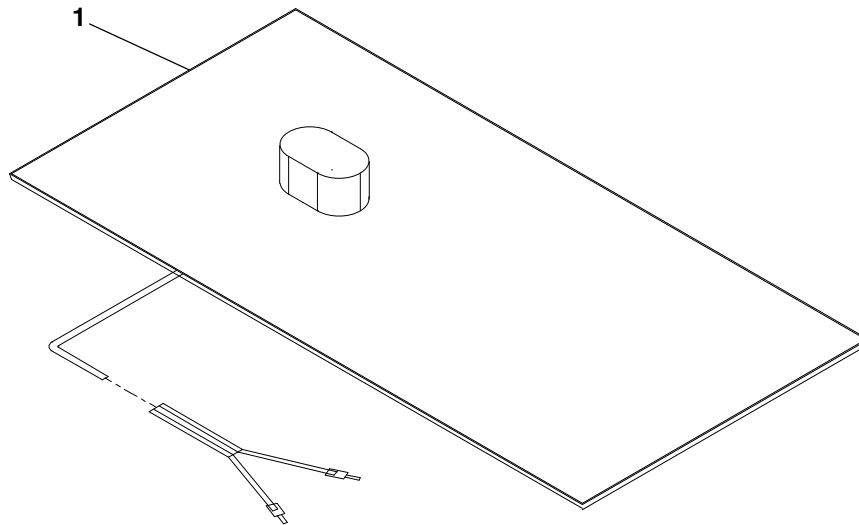
Item	Part No.	Description	Qty
1		Muffler, Industrial	
	0155-2063-01	C20 N6, C22 N6, C25 N6, C30 N6, C36 N6, C40 N6, C30 N6H, C36 N6H, C40 N6H	1
	0155-2063-02	C45 N6H, C50 N6H, C60 N6H	1
2		Muffler, Residential	
	0155-2064-01	C20 N6, C22 N6, C25 N6, C30 N6, C36 N6, C40 N6, C30 N6H, C36 N6H, C40 N6H	1
	0155-2064-02	C45 N6H, C50 N6H, C60 N6H	1
3		Muffler, Critical	
	0155-2065-01	C20 N6, C22 N6, C25 N6, C30 N6, C36 N6, C40 N6, C30 N6H, C36 N6H, C40 N6H	1
	0155-2065-02	C45 N6H, C50 N6H, C60 N6H	1
4		Muffler, Industrial	
	0155-2340-08	C20 N6, C22 N6, C25 N6, C30 N6, C36 N6, C40 N6, C30 N6H, C36 N6H, C40 N6H (2.5" NPT)	1
	0155-2340-07	C45 N6H, C50 N6H, C60 N6H (3" NPT)	1
5		Muffler, Residential	
	0155-2341-08	C20 N6, C22 N6, C25 N6, C30 N6, C36 N6, C40 N6, C30 N6H, C36 N6H, C40 N6H (2.5" NPT)	1
	0155-2341-07	C45 N6H, C50 N6H, C60 N6H (3" NPT)	1
6		Muffler, Critical	
	0155-2342-08	C20 N6, C22 N6, C25 N6, C30 N6, C36 N6, C40 N6, C30 N6H, C36 N6H, C40 N6H (2.5" NPT)	1
	0155-2342-07	C45 N6H, C50 N6H, C60 N6H (3" NPT)	1

Battery



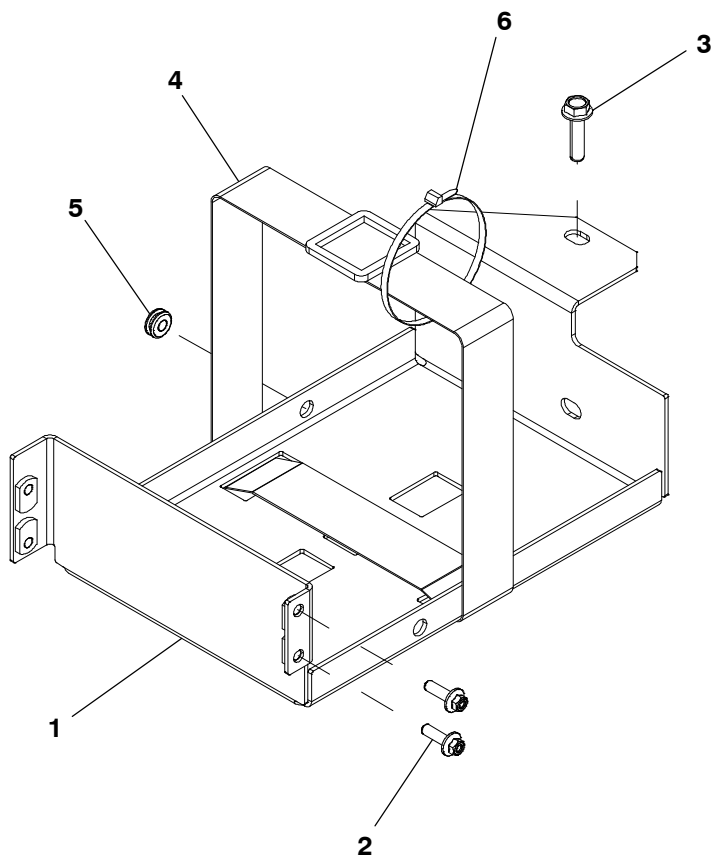
Item	Part No.	Description	Qty
1		Battery	
	0416-1051	530 Cold Cranking Amps	1
	A045P632	850 Cold Cranking Amps	1
2	A043D534	Sensor, Temperature	1

Battery Heater



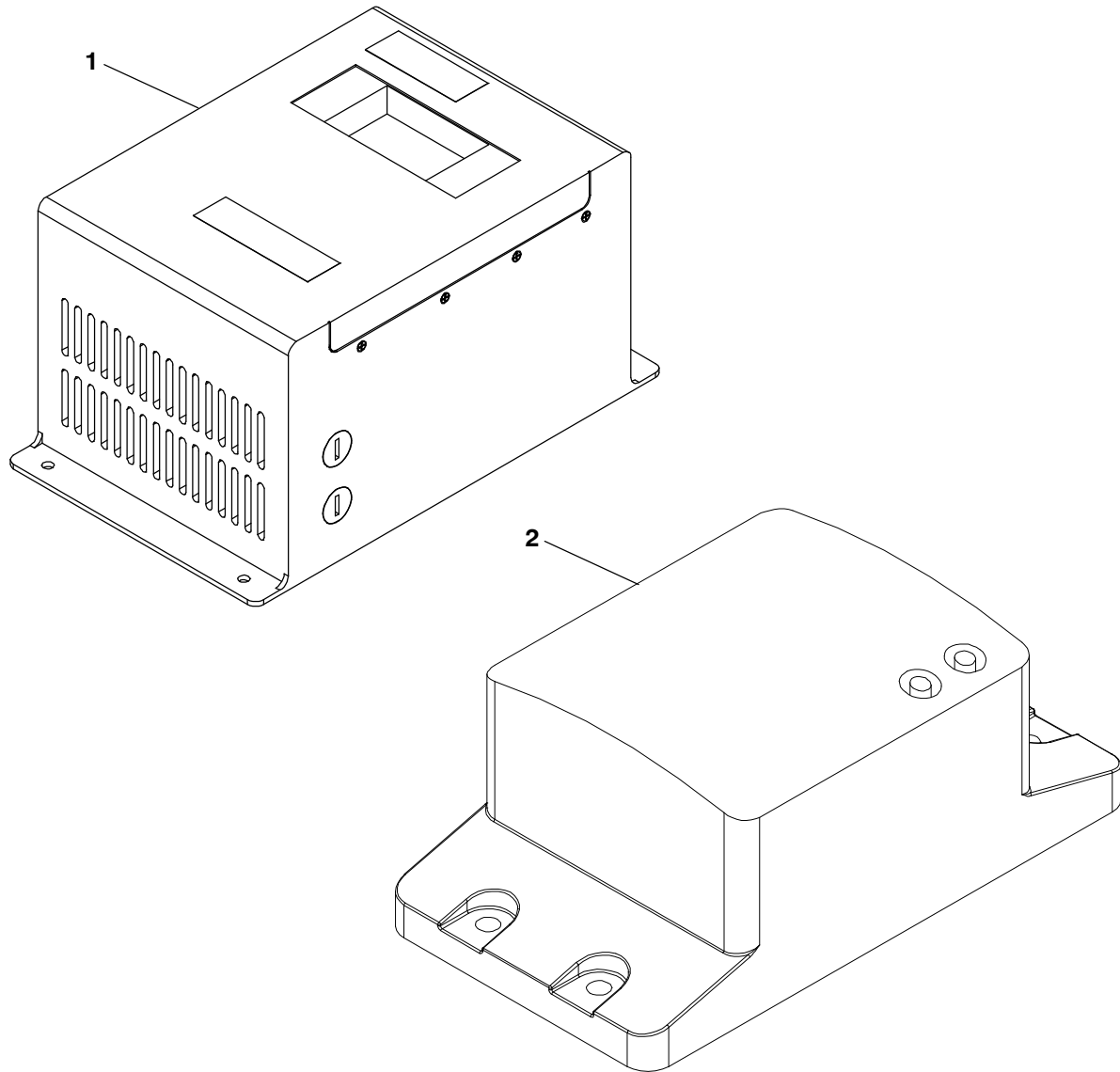
Item	Part No.	Description	Qty
1	A045R833	Heater, Battery	1

Battery Tray Kit



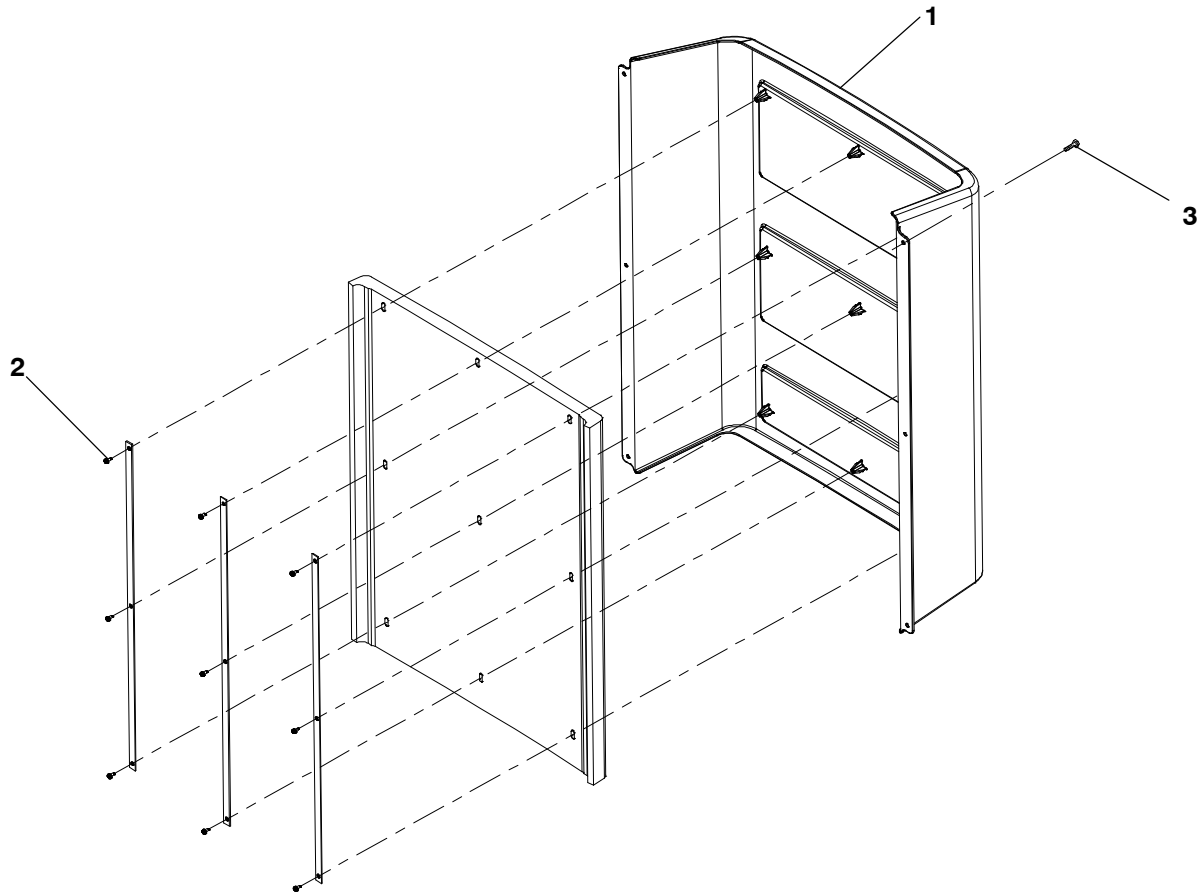
Item	Part No.	Description	Qty
	A045P627	Kit, Battery Tray (Includes the Following Parts)	1
1	A045P639	Tray, Battery	1
2	0815-0857-03	Screw, Hex Head	2
3	0815-0781	Screw, Hollow Head	1
4	A044G477	Strap, Battery	1
5	0508-0228	Grommet	1
6	0332-3388	Tie, Cable	1

Stand Alone Battery Charger



Item	Part No.	Description	Qty
1	A048G602	Charger, Battery – 10 Amp	1
2	A056L369	Charger, Battery – 6 Amp	1

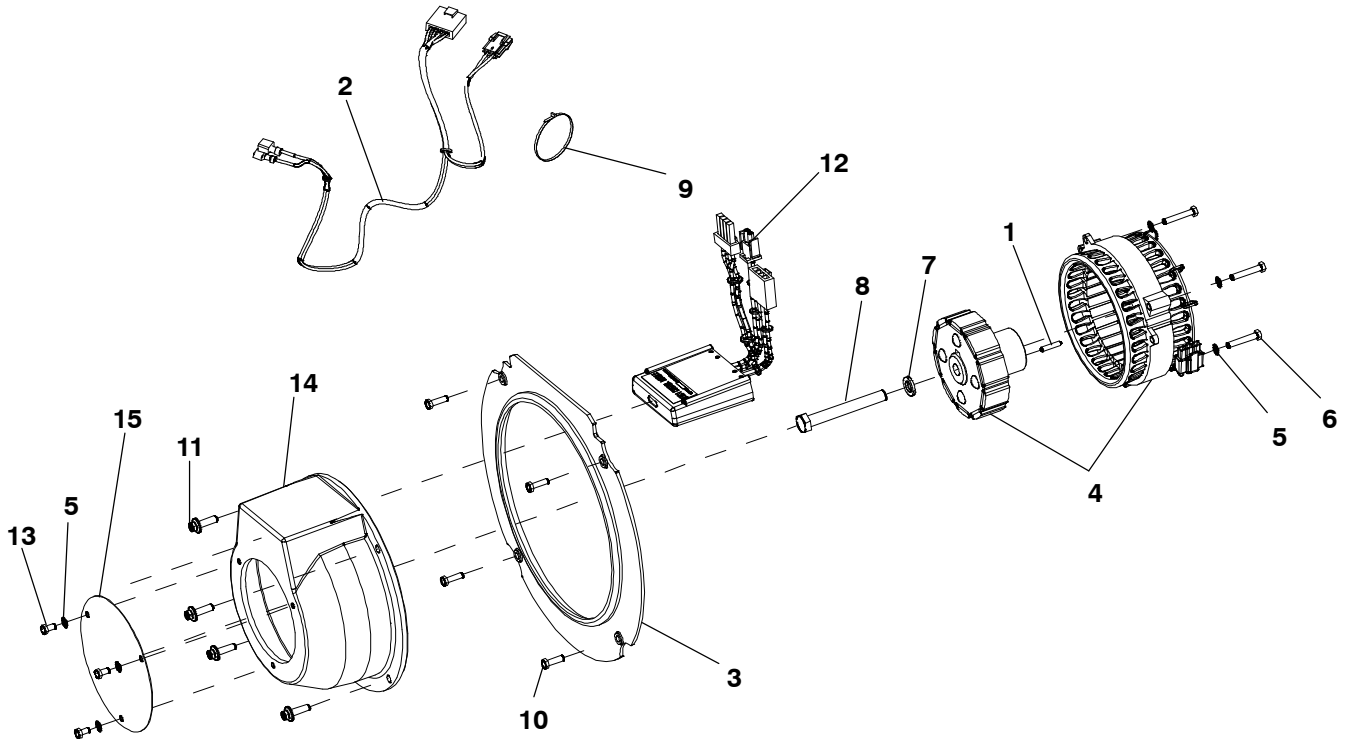
Inlet Duct Kit – Enclosure, Sound Att, QS, 2nd Stg



Item	Part No.	Description	Qty
	A044F371	Kit, Duct Inlet (Includes the Following Parts)	1
1	A044B039	Duct, Inlet	1
2	A042Y727	Screw, Pan Head	9
3	0815-0857-02	Screw, Pan Head	6
4	A046J596	Sheet, Instruction	1

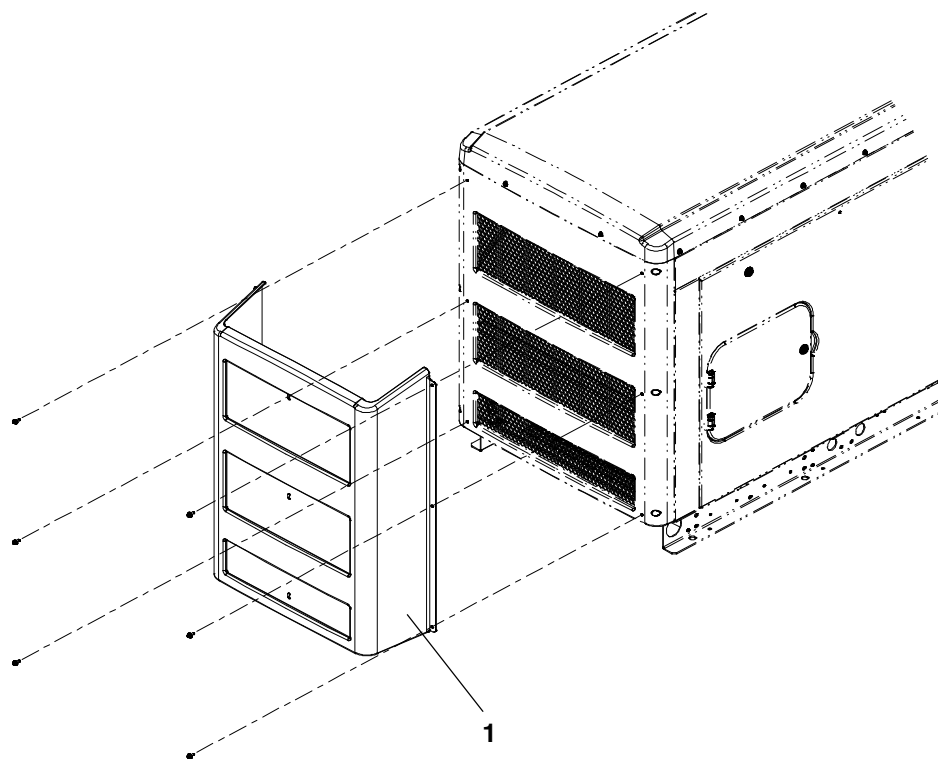
Excitation Boost System Kit

C20 N6, C22 N6, C25 N6, C30 N6, C36 N6, C40 N6



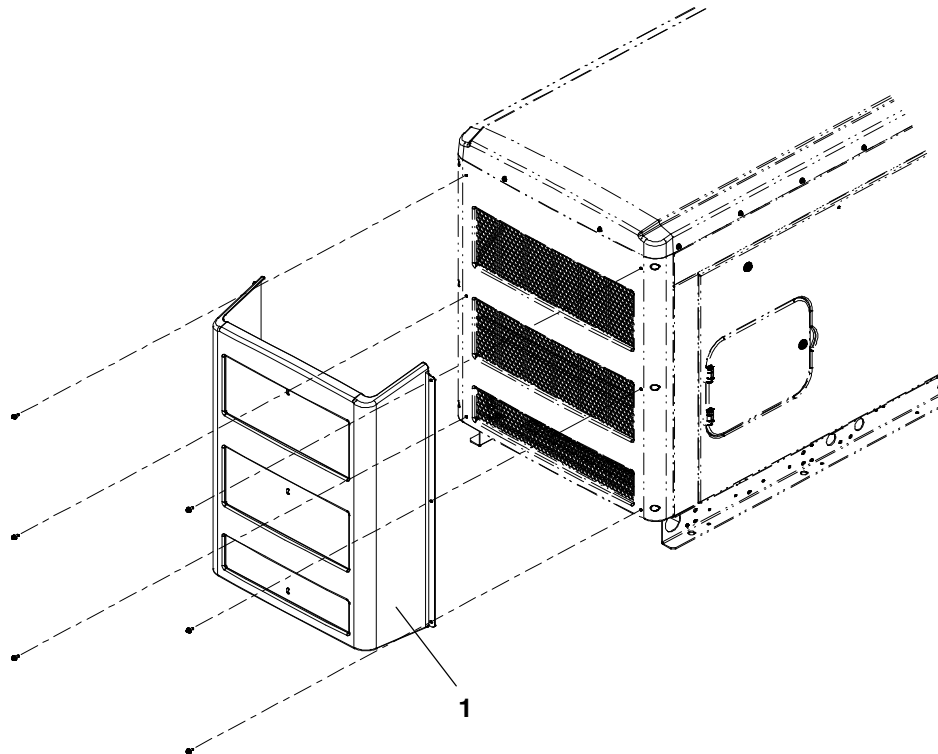
Item	Part No.	Description	Qty
	A044G817	Kit, Excitation Boost System (Includes the Following Parts)	1
1	054-20508	Pin, Dowel	1
2	A049Y191	Harness, Alternating Current	1
3	A045Y858	Cover, Generator End	1
4	A025F035	Generator, Excitation Boost (Includes Rotor and Stator Assemblies, Housing and Hardware)	1
5	0853-2005	Washer, Lock	6
6	0800-2012	Screw, Hex Head	3
7	0850-2010	Washer, Lock	1
8	0800-2097	Screw, Hex Head	1
9	0332-0942	Tie, Cable	4
10	0800-2008	Screw, Hex Head	4
11	0815-0857-03	Screw, Hex Head	4
12	E000-14851	Module, Excitation Boost	1
13	016-40612	Screw, Hex Head	3
14	450-16006	Housing, Excitation Boost	1
15	450-16009	Cover	1

Enclosure Upgrade Kit (S1 to S2) Green



Item	Part No.	Description	Qty
	A043U607	Kit, Enclosure (Includes the Following Parts)	
1	A054U440	Installation, Enclosure	1

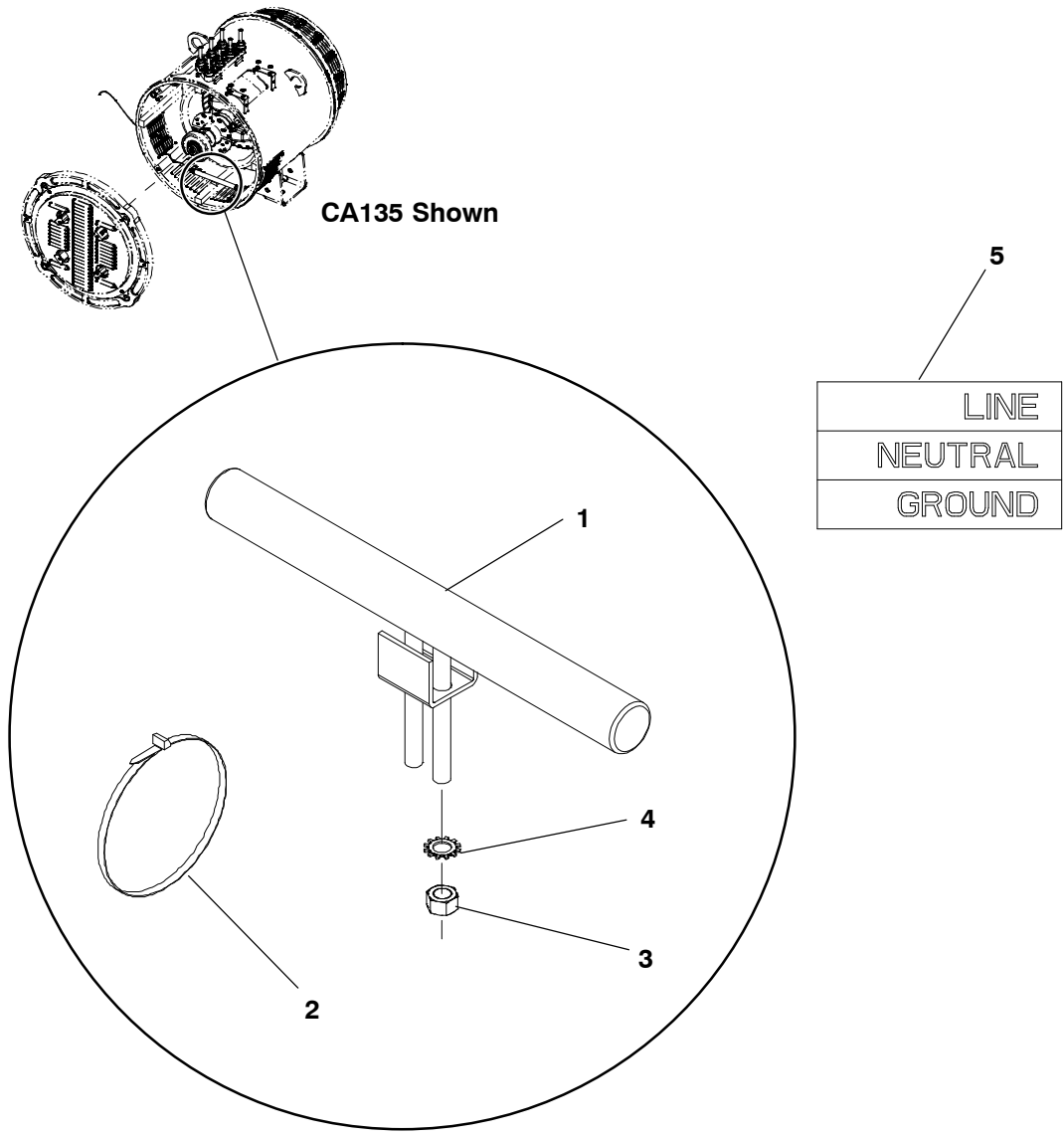
Enclosure Upgrade Kit (S1 to S2) Sandstone



Item	Part No.	Description	Qty
	A043J733	Kit, Enclosure (Includes the Following Parts)	
1	A044F371	Duct, Inlet	1

Generator Heater Kit

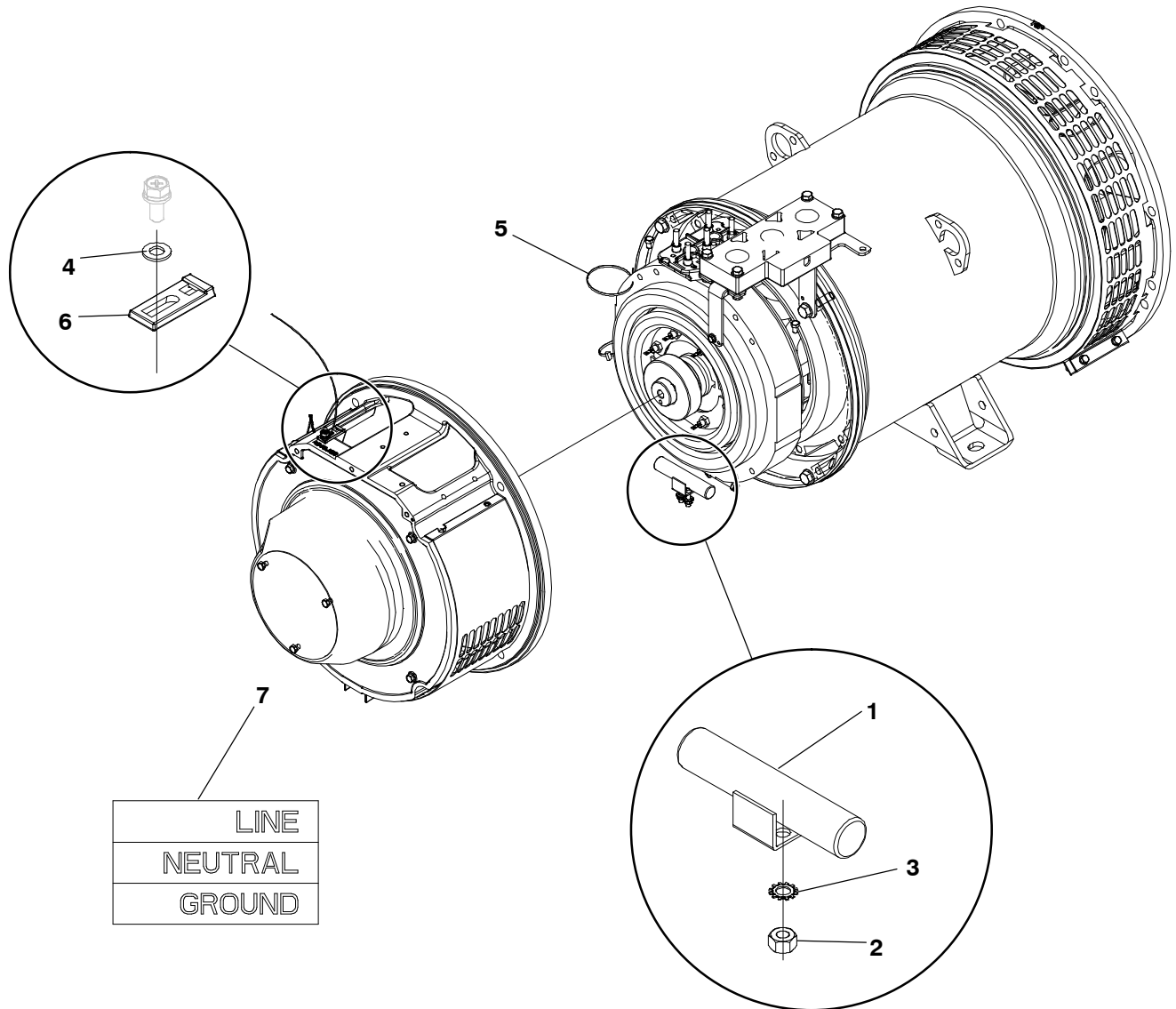
(120V, 100W) C36 N6, C40 N6, C40 N6H, C45 N6H, C50 N6H, C60 N6H



Item	Part No.	Description	Qty
	A044G635	Kit, Generator Heater (CA125, CA135) (Includes the Following Parts)	1
1	A045Z790	Heater, Generator	1
2	0332-0942	Tie, Cable	2
3	0860-2006	Nut, Hex	2
4	0853-2005	Washer, Lock	2
5	A046G477	Label, Marking	1

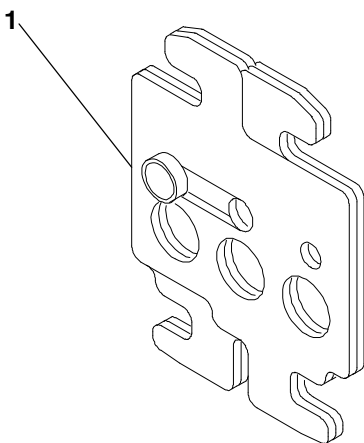
Generator Heater Kit (120V, 30W)

C20 N6, C22 N6, C25 N6, C30 N6, C36 N6, C40 N6, C30 N6H, C36 N6H, C40 N6H, C45 N6H, C50 N6H



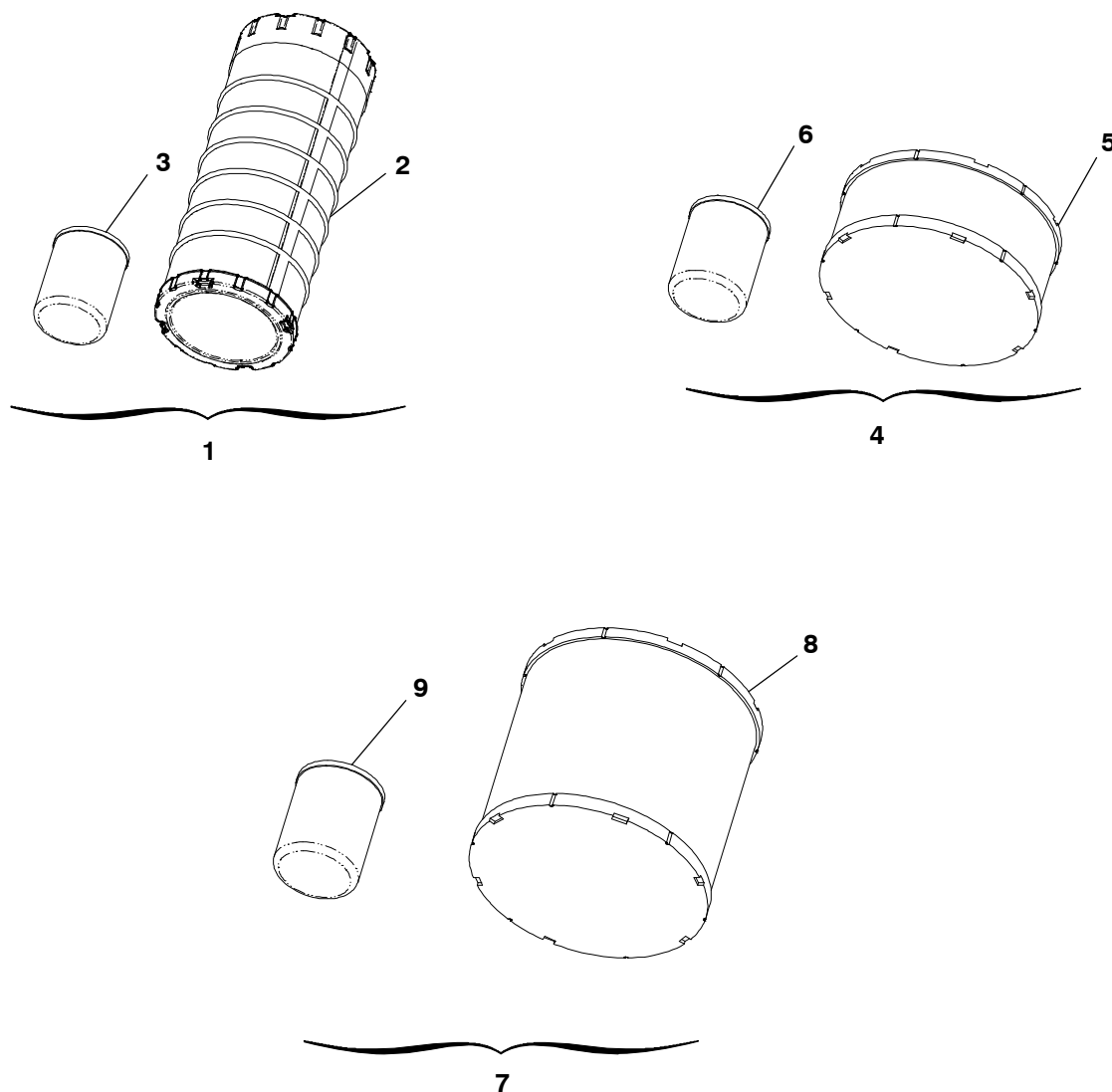
Item	Part No.	Description	Qty
	A044G637	Kit, Heater, Generator (CA115) (Includes the Following Parts)	1
1	A045Z792	Heater, Generator	1
2	0860-2006	Nut, Hex	2
3	0853-2005	Washer, Lock	2
4	0526-2060	Washer, Flat	1
5	0332-0942	Tie, Cable	2
6	A046F900	Base, Cable Tie	1
7	A046G477	Label, Marking	1

Circuit Breaker Lock Out



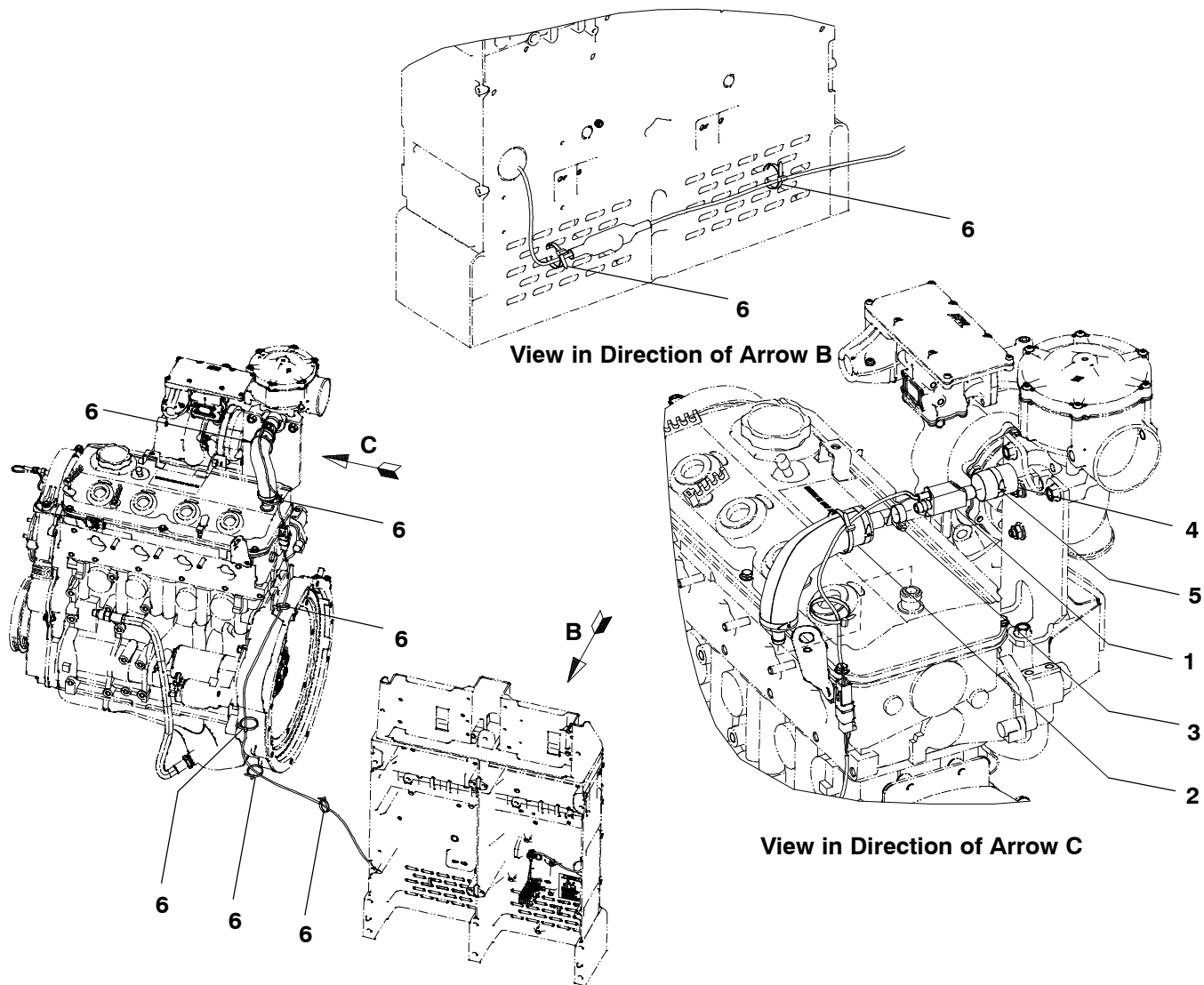
Item	Part No.	Description	Qty
1	0406-1234	Lock Out – Circuit Breaker	1

Preventive Maintenance Kits



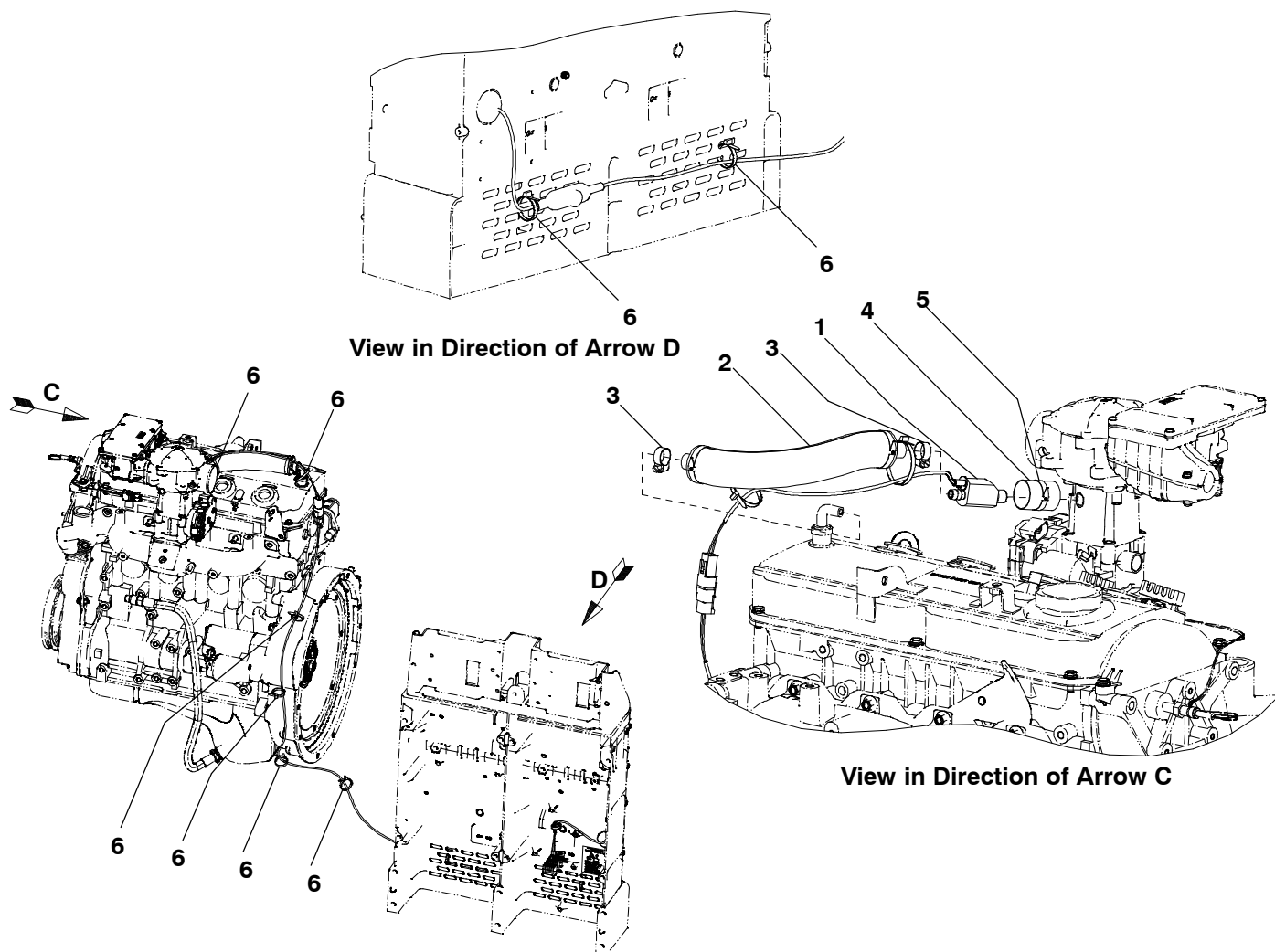
Item	Part No.	Description	Qty
1	A046N983	Kit, Filter (Heavy Duty) – C30 N6, C36 N6, C40 N6 (Includes Items 2 and 3)	1
2	A044V681	Filter, Air	1
3	A044D820	Filter, Oil	1
4	A046N985	Kit, Filter (Normal Duty) – C20 N6, C22 N6, C25 N6, C30 N6, C30 N6H (Includes Items 5 and 6)	1
5	A042Y176	Filter, Air	1
6	A044D820	Filter, Oil	1
7	A047N987	Kit, Filter (Normal Duty) – C36 N6, C40 N6, C36 N6H, C40 N6H, C45 N6H, C50 N6H, C60 N6H (Includes Items 8 and 9)	1
8	A042Y252	Filter, Air	1
9	A044D820	Filter, Oil	1

Breather Kit (C30 N6, C36 N6, C40 N6)



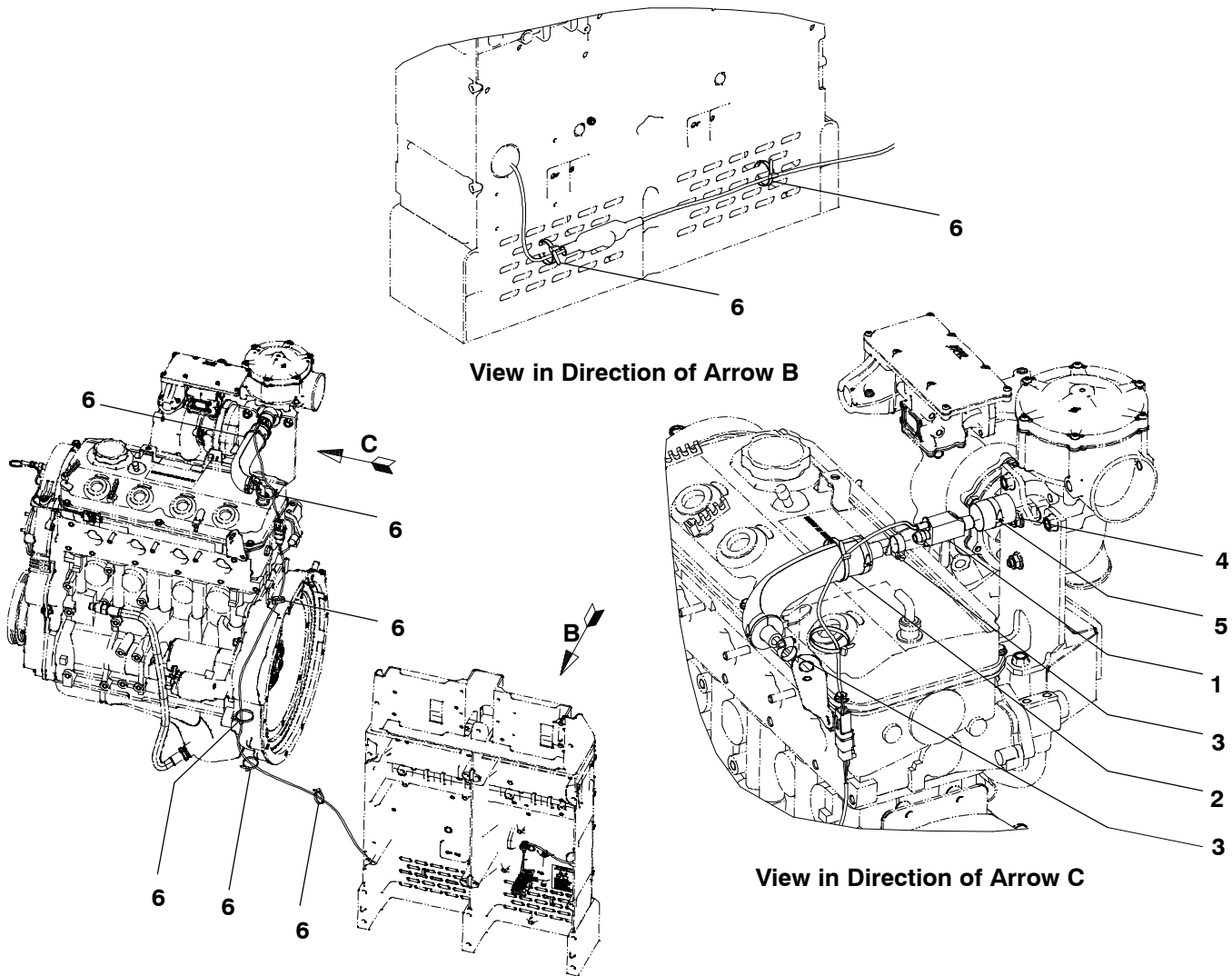
Item	Part No.	Description	Qty
	A050Y399	Kit, Breather (Includes the Following Parts)	
1	A051A001	Adapter, Breather	1
2	A050X767	Hose, Flexible	1
3	0503-0685	Clamp	1
4	A050Y116	Sleeve, Flexible	1
5	A041K800	Clamp	1
6	0332-3388	Tie, Cable	8

Breather Kit (C20 N6, C22 N6, C25 N6, C30 N6H)



Item	Part No.	Description	Qty
	A050Y401	Kit, Breather (Includes the Following Parts)	
1	A050X796	Adapter, Breather	1
2	A050X769	Hose, Flexible	1
3	0503-0685	Clamp	2
4	A050Y116	Sleeve, Flexible	1
5	A041K800	Clamp	1
6	0332-3388	Tie, Cable	8

Breather Kit (C60 M6H)



Item	Part No.	Description	Qty
	A051F263	Kit, Breather (Includes the Following Parts)	
1	A051A001	Adapter, Breather	1
2	A050X769	Hose, Flexible	1
3	0503-0685	Clamp	2
4	A050Y116	Sleeve, Flexible	1
5	A041K800	Clamp	1
6	0332-3388	Tie, Cable	8

Pipe Package Exhaust Kit

Item	Part No.	Description	Qty
1	0155-2706	Kit, Pipe Package – Exhaust (C20 N6, C22 N6, C25 N6, C30 N6, C36 N6, C40 N6, C30 N6H, C36 N6H, C40 N6H) – Includes the following 2 parts	
	0505-0033	Coupling, Pipe	2
	0155-0776-01	Tubing, Assy – Exh	1
2	0155-2707	Kit, Pipe Package – Exhaust (C45 N6H, C50 N6H, C60 N6H) – Includes the following 2 parts	
	0505-0327	Coupling, Pipe	2
	0155-0777-01	Tubing, Assy – Exh	1
3	0155-2360	Kit, Pipe Package – Exhaust with Elbow (C20 N6, C22 N6, C25 N6, C30 N6, C36 N6, C40 N6, C30 N6H, C36 N6H, C40 N6H) – Includes the following 3 parts	
	0505-0033	Coupling, Pipe	1
	0155-0776-01	Tubing, Assy – Exh	1
	0505-0044	Elbow – 90° Pipe	1
4	0543-0009	Kit, Pipe Package – Exhaust with Elbow (C45 N6H, C50 N6H, C60 N6H) – Includes the following 3 parts	
	0505-0321	Coupling, Pipe Reducer	1
	0155-0776	Tubing, Assy – Exh	1
	0505-0044	Elbow – 90° Pipe	1

Remote HMI Display Kit (HMI 220)

Item	Part No.	Description	Qty
	A041J582	Kit, Remote HMI 220 (Includes the Following Parts)	1
1	0300-6314-03	Control, Genset	1
2	0323-2091	Connector, Plug	1
3	0323-2456	Connector, Plug	1
4	0323-2466	Contact, Socket	19

Remote HMI Display Kit (HMI 211 RS)

Item	Part No.	Description	Qty
	A046K103	Kit, Remote HMI 211 RS (Includes the Following Parts)	1
1	A043W114	Display, Control	1
2	0332-1794	Tie, Cable	3
3	0332-1789	Splice, Window	12
4	0338-4906	Harness, Wiring	2

Remote HMI Display Kit (HMI 112) (Bargraph)

	A045J203	Kit, Remote HMI 112 (Includes the Following Parts)	1
1	0300-6050-03	Display, Control	1
2	0323-2192-01	Connector, Plug	1
3	0332-3388	Tie, Cable	3
4	0332-1789	Splice, Window	6
5	0323-2192-04	Connector, Plug	1

Audible Alarm Kit

Item	Part No.	Description	Qty
	A043F059	Kit, 12V Alarm Module (Includes the Following Parts)	1
1	0300-3998-02	Module, Alarm	1
2	A042Y707	Screw, Pan Head	2
3	0332-3388	Tie, Cable	4
4	0226-4696	Lead, Electrical	1

Customer Relay Kit

Item	Part No.	Description	Qty
	A044Z053	Kit, Customer Relay (Includes the Following Parts)	
1	A042Z041	Harness, Relay	1
2	A042Y727	Screw, Pan Head	2
3	A044D694	Tie, Cable	2
4	A043B108	Harness, Generator Electrical	1
5	A043E872	Screw, Pan Head	1

E-Stop Kit

Item	Part No.	Description	Qty
	A044Z051	Kit, E-Stop (Includes the Following Parts)	
1	A043E232	Harness, Generator Electrical	1
2	0308-1177	Bezel, Switch	1
3	0319-6766	Guard, Electrical	1

Auxiliary Input/Output Signal Kit

Item	Part No.	Description	Qty
	A044Z055	Kit, Auxiliary Input/Output Signal (Includes the Following Parts)	
1	0327-1536	Card, Input Output	1
2	A044A588	Cover, Protection	1
3	A043A230	Harness, Circuit Card	1
4	A042Y707	Screw, Pan Head	4
5	A044D694	Tie, Cable	2
6	A043B108	Harness, Generator Electrical	1
7	A043E872	Screw, Pan Head	1
8	A042X751	Guard, Electrical	1
9	A042Y727	Screw, Pan Head	3

Remote Annunciator Kit

Item	Part No.	Description	Qty
1		Kit, Annunciator – Remote (Includes Items 2 through 5)	
	A045J199	Panel Mount	1
	A045J201	With Enclosure	1
2	0332-3388	Tie, Cable	3
3	0332-1789	Splice, Window	6
4	0338-4906	Harness, Wiring	1
5		Annunciator	
	0300-5929-01	Panel Mount	1
	0300-5929-02	With Enclosure	1

Miscellaneous Accessory Kits

	A043X785	Auxiliary Contacts	
	A043X760	Installation, Shunt	
	A043J735	Enclosure Paint Touch Up Kit (Sandstone)	
	A046L319	Enclosure Paint Touch Up Kit (Green)	
	A046S274	Kit, Accessories – Generator Electrical Harness	

This page is Intentionally blank.

Topical Index

A

Accessories and Kits, **252**
Adapter, Duct (C20 N6, C22 N6, C25 N6, C30 N6H),
154
Adapter, Duct (C30 N6, C36 N6, C40 N6, C36 N6H,
C40 N6H, C45 N6H, C50 N6H, C60 N6H), **155**
Air Cleaner – Heavy Duty – C30 N6, **133**
Air Cleaner – Heavy Duty – C36 N6, C40 N6, **132**
Air Cleaner – Normal Duty – C20 N6, C22 N6, C25 N6,
C30 N6H, C36, N6H, **134**
Air Cleaner – Normal Duty – C40 N6H, C45 N6H, C50
N6H, **135**
Alternator, Battery Charge, **21 , 28 , 38 , 46 , 58 , 76**

B

Battery, **254**
Belt, Alternator, **21 , 28 , 38 , 46 , 58 , 66 , 76**
Belt, Timing, **83**
Belt, Timing 'B', **83**
Body, Throttle, **19**
Box, Control – Aux–101, **236**
Box, Control – Aux–101 and Relay, **237**
Box, Control – Components, **239**
Box, Control – Relay, **235**
Breaker, Circuit – 2 & 3 Pole, J Frame, **245**
Breaker, Circuit – 2 Pole, H Frame, **243**
Breaker, Circuit – 3 Pole, H Frame, **247**
Breather, CCV – C20 N6, C22 N6, C25 N6, C30 N6H,
C36 N6H, C40 N6H, C45 N6H, C50 N6H, **87**
Breather, CCV – C30 N6, C36 N6, C40 N6, **88**
Breather, CCV – C60 N6H, **89**

C

Charger, Battery, **205 , 257**
Circuit Breaker Lock Out, **264**
Coil, Ignition, **17 , 29 , 37 , 45 , 52 , 55 , 63 , 70 , 75**
Components, Panel, **217**

Connection, Exhaust – C20 N6, C22 N6, C25 N6, C30
N6H, C36 N6H, C40 N6H, C45 N6H, C50 N6H, **98**
Connection, Exhaust – C30 N6, C36 N6, C40 N6, C60
N6H, **99**
Control, Genset, **231 , 232 , 233 , 234**
Coolant Heater – Cold Ambient (C20 N6, C22 N6, C25
N6, C30 N6H) – USA, **160**
Coolant Heater – Cold Ambient (C30 N6, C36 N6, C40
N6, C60 N6H) – USA, **156**
Coolant Heater – Extreme Cold Ambient (C20 N6, C22
N6, C25 N6, C30 N6H, C36 N6H, C40 N6H, C45
N6H, C50 N6H) – Canada, **176**
Coolant Heater – Extreme Cold Ambient (C20 N6, C22
N6, C25 N6, C30 N6H, C36 N6H, C40 N6H, C45
N6H, C50 N6H) – USA, **168**
Coolant Heater – Extreme Cold Ambient (C30 N6, C36
N6, C40 N6, C60 N6H) – Canada, **172**
Coolant Heater – Extreme Cold Ambient (C30 N6, C36
N6, C40 N6, C60 N6H) – USA, **164**
Cooling System – C20 N6, C22 N6, C25 N6, C30 N6H,
137
Cooling System – C30 N6, C36 N6H, C40 N6H, **147**
Cooling System – C36 N6, C40 N6, **149**
Cooling System – C45 N6H, C50 N6H, **145**
Cooling System – C60 N6H, **143**

D

Dipstick, **15**
Door, Circuit Breaker, **248**
Door, Enclosure, **217**
Duct, Inlet, **258**

E

Enclosure – C20 N6, C22 N6, C25 N6, C30 N6 – QS,
1st Stg (Green, Aluminum) , **221**
Enclosure – C20 N6, C22 N6, C25 N6, C30 N6H
(Green, Aluminum), **226**
Enclosure – C20 N6, C22 N6, C25 N6, C30 N6H – QS,
1st Stg (Sandstone, Aluminum), **209**
Enclosure – C20 N6, C22 N6, C25 N6, C30 N6H –
Sound Att, QS, 2nd Stg (Sandstone, Aluminum),
213

Index (Continued)

Enclosure – C30 N6, C36 N6, C40 N6, C36 N6H, C40 N6H, C45 N6H, C50 N6H, C60 N6H (Green, Aluminum), **229**

Enclosure – C30 N6, C36 N6, C40 N6, C36 N6H, C40 N6H, C45 N6H, C50 N6H, C60 N6H – QS, 1st Stg (Green, Aluminum), **223**

Enclosure – C30 N6, C36 N6, C40 N6, C36 N6H, C40 N6H, C45 N6H, C50 N6H, C60 N6H – QS, 1st Stg (Sandstone, Aluminum), **211**

Enclosure – C30 N6, C36 N6, C40 N6, C36 N6H, C40 N6H, C45 N6H, C50 N6H, C60 N6H – Sound Att, QS, 2nd Stg (Sandstone, Aluminum), **215**

Enclosure Cover Components – C20 N6, C22 N6, C25 N6, C30 N6H (Sandstone, Aluminum), **218**

Enclosure Cover Components – C20 N6, C22 N6, C25 N6, C30 N6H (Green, Aluminum), **224**

Enclosure Cover Components – C30 N6, C36 N6, C40 N6, C36 N6H, C40 N6H, C45 N6H, C50 N6H, C60 N6H (Green, Aluminum), **225**

Enclosure Cover Components – C30 N6, C36 N6, C40 N6, C36 N6H, C40 N6H, C45 N6H, C50 N6H, C60 N6H (Sandstone, Aluminum), **219**

Enclosure Upgrade Kit, **260 , 261**

Engine, **15**

Engine Accessories – C20 N6, C22 N6, C25 N6, **16**

Engine Accessories – C30 N6, **24**

Engine Accessories – C30 N6H, **44**

Engine Accessories – C36 N6, C40 N6, **34**

Engine Accessories – C36 N6H, C40 N6H, **54**

Engine Accessories – C45 N6H, C50 N6H, **62**

Engine Accessories – C60 N6H, **72**

Engine Service Parts, **83 , 84 , 85 , 86**

F

Fan, Radiator, **21 , 28 , 38 , 46 , 58 , 66 , 76**

Fasteners, Generator, **183**

Filter, Oil, **83**

Flywheel, **15**

Fuel Supply – Dual Fuel NG/LPV with Automatic Changeover – USA – C20 N6, C22 N6, C25 N6, **111**

Fuel Supply – Dual Fuel NG/LPV with Automatic Changeover – USA – C30 N6, **125**

Fuel Supply – Dual Fuel NG/LPV with Automatic Changeover – USA – C30 N6H, C36 N6H, C40 N6H, C45 N6H, C50 N6H, **121**

Fuel Supply – Dual Fuel NG/LPV with Automatic Changeover – USA – C36 N6, C40 N6, **115**

Fuel Supply – Dual Fuel NG/LPV with Automatic Changeover – USA – C60 N6H, **117**

Fuel Supply – Dual Fuel System Module – USA – C20 N6, C22 N6, C25 N6, C30 N6, **113**

Fuel Supply – Dual Fuel System Module – USA – C60 N6H, **118**

Fuel Supply – Single Fuel NG/LPV – Canada – C20 N6, C22 N6, C25 N6, C30 N6H, **112**

Fuel Supply – Single Fuel NG/LPV – Canada – C20 N6, C22 N6, C25 N6, C30 N6H, C36 N6H, C40 N6H, C45 N6H, C50 N6H, **103**

Fuel Supply – Single Fuel NG/LPV – Canada – C30 N6, C36 N6, C40 N6, **105**

Fuel Supply – Single Fuel NG/LPV – Canada – C60 N6H, **107**

Fuel Supply – Single Fuel NG/LPV – USA – C30 N6, C36 N6, C40 N6, **126**

Fuel Supply – Single Fuel NG/LPV – USA – C30 N6H, C36 N6H, C40 N6H, C45 N6H, C50 N6H, **128**

Fuel Supply – Single Fuel NG/LPV – USA – C60 N6H, **130**

Fuel System – Dual Fuel System Module – USA – C36 N6, C40 N6, C30 N6H, C36 N6H, C40 N6H, C45 N6H, C50 N6H, **122**

Fuel System – Single Fuel System Module – Canada – C20 N6, C22 N6, C25 N6, C30 N6, C36 N6, C40 N6, C30 N6H, C36 N6H, C40 N6H, C45 N6H, C50 N6H, **108**

Fuel System – Single Fuel System Module – Canada – C60 N6H, **109**

Fuel System – Single Fuel System Module – USA – C20 N6, C22 N6, C25 N6, C30 N6, C36 N6, C40 N6, C30 N6H, C36 N6H, C40 N6H, C45 N6H, C50 N6H, **127**

Fuel System – Single Fuel System Module – USA – C60 N6H, **129**

G

Gasket, Exhaust Manifold, **95 , 96**

Generator – Complete, **180 , 181 , 182**

Generator – Service Parts (CA115), **185**

Index (Continued)

Generator – Service Parts (CA125), **187**
Generator – Service Parts (CA135), **189**
Generator Heater (120V, 100W) – C36 N6, C40 N6,
C40 N6H, C45 N6H, C50 N6H, C60 N6H, **190**
Generator Heater (120V, 30W) – C20 N6, C22 N6, C25
N6, C30 N6, C36 N6, C40 N6, C30 N6H, C36 N6H,
C40 N6H, C45 N6H, C50 N6H, **191**

H

Harness, Generator Electrical, **17 , 25 , 51 , 69**
Harness, Generator Electrical (Service Parts), **241**
Heater, Battery, **255**
Heater, Coolant – USA, **159 , 161 , 167 , 169**
Hinge, Door, **217**
Hose, Fuel, **100**
Hose, Oil, **15**
Housing, Flywheel, **15**

I

Insulation, Door, **217**
Insulation, Panel, **217**

K

Kit, Audible Alarm, **270**
Kit, Auxiliary Input/Output Signal, **271**
Kit, Battery Tray, **256**
Kit, Breather (C30 N6, C36 N6, C40 N6), **266**
Kit, Breather (C20 N6, C22 N6, C25 N6, C30 N6H), **267**

Kit, Breather (C60 M6H), **268**
Kit, Customer Relay, **270**
Kit, E–Stop, **270**
Kit, Excitation Boost System – C20 N6, C22 N6, C25
N6, C30 N6, C36 N6, C40 N6, **259**
Kit, Generator Heater (120V, 100W) – C36 N6, C40 N6,
C40 N6H, C45 N6H, C50 N6H, C60 N6H, **262**
Kit, Generator Heater (120V, 30W) – C20 N6, C22 N6,
C25 N6, C30 N6, C36 N6, C40 N6, C30 N6H, C36
N6H, C40 N6H, C45 N6H, C50 N6H, **263**

Kit, Pipe Package Exhaust, **269**
Kit, Preventive Maintenance, **265**
Kit, Remote Annunciator, **271**
Kits, Miscellaneous Accessory, **271**

L

Labels, **9 , 11**
Latch, **217**
Lead Package – CA115, **193**
Lead Package – CA125, **194**
Lead Package – CA135, **195**
Lead, Battery, **23 , 33 , 43 , 51 , 61 , 69 , 81**

M

Manifold, Exhaust, **15**
Manifold, Intake, **19 , 27 , 37 , 49 , 57 , 65 , 75**
Mixer, **19 , 31 , 41 , 49 , 79**
Muffler, **253**

P

Paint and Thread Sealant, **12**
Panel, Display, **231**
Panel, Display – Bargraph, **232**
Panel, Display – Bargraph and E–Stop, **234**
Panel, Display – E–Stop, **233**
Panel, Enclosure, **217**
Plug, Spark, **83**
PMG – C36 N6, C40 N6, **192**
Pulley, Fan, **38 , 46 , 58 , 66 , 76**
Pump, Water, **83**

R

Radiator Guards – Enclosed Sets (C20 N6, C22 N6,
C25 N6, C30 N6H), **138**
Radiator Guards – Enclosed Sets (C30 N6, C36 N6,
C40 N6, C36 N6H, C40 N6H, C45 N6H, C50 N6H,
C60 N6H), **150**

Index (Continued)

Radiator Guards – Open Sets (C20 N6, C22 N6, C25 N6, C30 N6H), **141**

Radiator Guards – Open Sets (C30 N6, C36 N6, C40 N6, C36 N6H, C40 N6H, C45 N6H, C50 N6H, C60 N6H), **153**

Regulator, Pressure (Includes ECM), **19 , 31 , 41 , 49 , 79**

Remote HMI Display Kit (HMI 112) (Bargraph), **270**

Remote HMI Display Kit (HMI 211 RS), **269**

Remote HMI Display Kit (HMI 220), **269**

Retainer, Insulation, **217**

Roof, Panel, **230**

S

Sender, Engine Pressure – C20 N6, C22 N6, C25 N6, C30 N6H, C36 N6H, C40 N6H, C45 N6H, C50 N6H, **93**

Sender, Engine Pressure – C30 N6, C36 N6, C40 N6, C60 N6H, **94**

Sensor, Camshaft, **86**

Sensor, Low Coolant, **179**

Sensor, Magnetic Pickup, **15**

Sensor, Oxygen, **95 , 96 , 98 , 99**

Sensor, Pressure, **19 , 27 , 37 , 49 , 75**

Sensor, Speed, **15**

Sensor, Temperature, **19 , 27 , 37 , 49 , 57 , 65 , 75**

Shield, Heat, **17 , 25 , 31 , 35 , 41 , 45 , 55 , 63 , 73 , 79**

Silencer – C20 N6, C22 N6, C25 N6, C30 N6H, **96**

Silencer – C30 N6, C36 N6, C40 N6, C60 N6H, **97**

Silencer – C36 N6H, C40 N6H, C45 N6H, C50 N6H, **95**

Skid – C20 N6, C22 N6, C25 N6, C30 N6H – Used with CA115 Alternator, **199**

Skid – C30 N6, C36 N6, C40 N6, C36 N6H, C40 N6H, C45 N6H, C50 N6H – Used with CA115 Alternator, **200**

Skid – C36 N6, C40 N6 – Used with CA125 Alternator, **201**

Skid – C40 N6H, C45 N6H, C50 N6H, C60 N6H – Used with CA135 Alternator, **202**

Skid Pan – C20 N6, C22 N6, C25 N6, C30 N6H, **204**

Skid Pan – C30 N6, C36 N6, C40 N6, C36 N6H, C40 N6H, C45 N6H, C50 N6H, C60 N6H, **203**

Starter, **15**

Switch, Engine Pressure – C20 N6, C22 N6, C25 N6, C30 N6H, C36 N6H, C40 N6H, C45 N6H, C50 N6H, **91**

Switch, Engine Pressure – C30 N6, C36 N6, C40 N6, C60 N6H, **92**

Switch, Low Pressure, **131**

T

Terminal Box – C20 N6, C22 N6, C25 N6, C30 N6H, **197**

Terminal Box – C30 N6, C36 N6, C40 N6, C36 N6H, C40 N6H, C45 N6H, C50 N6H, C60 N6H, **198**

Transformer, Current, **251**

Tray, Battery – Large, **207**

Tray, Battery – Standard, **206**

Turbocharger, **25 , 35**

V

Valve, Check, **90**

Vent – C20 N6, C22 N6, C25 N6, C30 N6H, C36 N6H, C40 N6H, C45 N6H, C50 N6H, C60 N6H, **90**

Numerical Index

<u>Part No.</u>	<u>Page</u>	<u>Part No.</u>	<u>Page</u>	<u>Part No.</u>	<u>Page</u>	<u>Part No.</u>	<u>Page</u>
001-102355, 189		016-40917, 187 , 189		0332-1794, 17 , 23 , 25 , 33 , 35 , 43 , 45 , 51 , 55 , 61 , 63 , 69 , 73 , 81 , 87 , 89 , 107 , 157 , 159 , 161 , 162 , 165 , 167 , 169 , 170 , 173 , 175 , 177 , 178 , 205 , 206 , 207 , 213 , 215 , 226 , 229 , 239 , 269		0503-1138, 117 , 130	
001-102572, 189		0187-5128, 117 , 130		0332-1992, 107		0503-1140, 31 , 41 , 79	
001-102581, 189		0226-4696, 270		0332-2430, 107		0503-1870-04, 133 , 134	
001-102609, 189		0226-4797-05, 103 , 105		0332-2634, 23 , 25 , 33 , 37 , 43 , 45 , 51 , 55 , 61 , 69 , 70 , 73 , 75 , 81		0503-1870-05, 132 , 133 , 135	
001-102711, 189		0226-4797-06, 103 , 105		0332-3084, 243 , 245 , 247		0503-1872-03, 27 , 143 , 149	
001-102712, 185		0232-3462-02, 192		0332-3388, 157 , 159 , 161 , 162 , 165 , 167 , 169 , 170 , 173 , 175 , 177 , 178 , 256 , 266 , 267 , 268 , 270 , 271		0503-2353-10, 130	
001-102713, 185		0234-0875-02-B, 192		0338-4906, 269 , 271		0505-0007, 108 , 109	
001-102714, 185		024-70618, 185 , 189		0405-6460-01, 209 , 221		0505-0029, 31 , 41	
001-102715, 185		027-41209, 187 , 189		0405-6460-02, 209 , 211 , 215 , 221 , 223 , 229		0505-0033, 269	
001-102716, 185		029-61109, 187 , 189		0405-6460-04, 211 , 223		0505-0038, 109	
001-102736, 189		030-02030, 187 , 189		0405-6460-10, 211 , 223		0505-0041, 109 , 118 , 129	
001-102754, 189		0300-3998-02, 270		0406-1234, 264		0505-0044, 269	
001-102755, 189		0300-5929-01, 271		0416-1051, 254		0505-0057, 113 , 118 , 122 , 131	
003-25158, 185		0300-5929-02, 271		050-11035, 185 , 187 , 189		0505-0059, 113 , 118 , 122 , 131	
0098-4798-01, 9		0300-6014, 231 , 232 , 233 , 234		0501-0776-02, 100		0505-0085, 113 , 122	
0098-5822, 9		0300-6050-02, 232 , 234		0501-0776-03, 100		0505-0087, 129	
0098-5842, 9		0300-6050-03, 270		0502-0153, 19 , 27 , 37 , 49 , 57 , 65 , 75		0505-0105, 109	
0130-3721-01, 137 , 143 , 145 , 147 , 149		0300-6314-03, 269		0502-0836, 19 , 31 , 41 , 49 , 57 , 65 , 111 , 113 , 115 , 121 , 122 , 125 , 127		0505-0107, 109 , 118	
0155-0776, 269		0305-1009, 235 , 237		0502-0943, 159 , 162 , 167 , 170 , 175 , 178		0505-0132, 19 , 49 , 57 , 65 , 108 , 113 , 122 , 127	
0155-0776-01, 269		0307-2873, 235 , 237		0502-1110, 79 , 117 , 118 , 129		0505-0141, 79	
0155-0777-01, 269		0307-2884, 109		0502-1368, 94		0505-0321, 269	
0155-1256, 103 , 105 , 111 , 112 , 115 , 121 , 125 , 126 , 128		0307-2930, 108		0503-0685, 23 , 29 , 37 , 51 , 55 , 63 , 75 , 87 , 88 , 89 , 137 , 143 , 145 , 147 , 149 , 159 , 161 , 167 , 169 , 175 , 177 , 266 , 267 , 268		0505-0327, 269	
0155-2063-01, 253		0307-2968-01, 241		0503-1133, 90		0505-0337, 127	
0155-2063-02, 253		0307-2968-03, 241		0503-1136, 111 , 112 , 115 , 121 , 125 , 126 , 128		0505-1525, 113 , 122	
0155-2064-01, 253		0308-1177, 233 , 234 , 270				0505-2278, 103 , 108	
0155-2064-02, 253		0319-6766, 233 , 234 , 270				0508-0228, 207 , 256	
0155-2065-01, 253		0321-0175, 241				051-21784, 185 , 187 , 189	
0155-2065-02, 253		0321-0372-05, 241				051-21792, 185	
0155-2065-02, 253		0321-0372-06, 241				0517-0131-03, 209 , 211 , 221 , 223	
0155-2080, 95 , 96 , 97		0321-0372-07, 241				0517-0350, 103 , 105 , 107 , 112 , 126 , 128 , 130	
0155-2340-08, 253		0323-2091, 269				0518-0548-08, 137 , 150 , 153	
0155-2341-07, 253		0323-2192-01, 270				0518-0548-22, 23 , 28 , 38 , 51 , 61 , 69 , 76	
0155-2341-08, 253		0323-2192-04, 270				0518-0548-44, 107 , 117 , 130	
0155-2342-07, 253		0323-2456, 269				0518-0548-60, 103 , 105 , 111 , 112 , 115 , 121 , 125 , 126 , 128	
0155-2342-08, 253		0323-2466, 269					
0155-2360, 269		0327-1536, 236 , 237 , 271					
0155-2706, 269		0332-0942, 190 , 191 , 259 , 262 , 263					
0155-2707, 269		0332-1389, 100					
016-31144, 187		0332-1789, 269 , 270 , 271					
016-40612, 259							

Numerical Index (Continued)

<u>Part No.</u>	<u>Page</u>	<u>Part No.</u>	<u>Page</u>	<u>Part No.</u>	<u>Page</u>	<u>Part No.</u>	<u>Page</u>
0518-0857-02, 103, 105, 107		247		0850-0114-52, 19, 31, 41, 49, 57, 65, 79		191-10081, 185	
0518-0858-02, 103, 105, 107		0800-6524-03, 31, 41, 79		0850-0114-53, 27, 31, 37, 41, 57, 65, 75, 79		191-10143, 185	
0525-0305, 12		0812-0094, 243, 245, 247		0850-2006, 192		191-10197, 185	
0526-0008, 198		0815-0586, 17, 23, 25, 33, 35, 43, 55, 61, 69, 70, 73, 81		0850-2010, 23, 33, 43, 51, 61, 69, 259		191-10252, 185	
0526-0018, 206		0815-0600, 23, 33, 43, 51, 61, 69, 81		0851-0586, 45, 49, 51		191-1063, 185	
0526-0399-54, 19, 31, 41, 49, 57, 65, 79		0815-0781, 103, 105, 107, 111, 112, 115, 117, 121, 125, 126, 128, 130, 137, 143, 145, 147, 149, 199, 200, 201, 202, 207, 256		0853-0040-54, 213, 215, 226, 229		191-1064, 185	
0526-0399-56, 19, 31, 41, 49, 57, 65, 79		0815-0792-02, 217		0853-2005, 190, 191, 259, 262, 263		191-1072, 185	
0526-0399-58, 21, 27, 28, 31, 37, 38, 41, 46, 57, 58, 65, 66, 75, 76, 79		0815-0792-04, 19, 25, 31, 35, 41, 49, 57, 65, 79		0853-2008, 209, 211, 221, 223		230-1000, 187	
0526-0399-61, 199, 200, 201, 202		0815-0792-05, 218, 219, 224, 225		0856-0010, 199, 200, 201, 202		230-1001, 187	
0526-0399-75, 199, 200, 201, 202		0815-0829-05, 132, 133		0860-2006, 190, 191, 262, 263		230-10201, 187	
0526-2060, 191, 192, 263		0815-0857-02, 95, 96, 97, 111, 112, 115, 117, 121, 125, 126, 128, 130, 137, 138, 141, 143, 145, 147, 149, 150, 153, 197, 198, 203, 204, 213, 215, 226, 229, 243, 245, 248, 258		0862-0026-53, 31, 41, 79		230-10397, 187	
0526-2132, 23, 33, 43, 51, 61, 69, 81		0815-0857-04, 206		0862-0026-57, 199, 200, 201, 202		230-10624, 189	
054-20508, 259		0815-0858-01, 107		0870-0506, 137, 143, 145, 147, 149, 206		230-1208, 187	
0543-0009, 269		0815-0858-02, 111, 112, 115, 117, 121, 125, 126, 128, 130, 137, 143, 145, 147, 149		0870-2055, 132, 133		230-1209, 187	
0725-1028, 25, 35, 73		0815-0859-03, 15		0870-2065-02, 29, 37, 79, 199, 200, 201, 202, 203, 204, 243, 245, 247		330-10147, 187, 189	
073-08063, 185		0815-0941-03, 15, 157, 161, 165, 169, 173, 177		0870-2065-03, 19, 21, 27, 28, 31, 37, 38, 41, 46, 49, 57, 58, 65, 66, 75, 76, 79		45-0427, 185, 187, 189	
0740-1010, 15		0821-2032, 17, 25, 29, 35, 37, 45, 52, 55, 63, 70, 73, 75		0878-0032, 9		45-0866, 185	
0775-0049, 192		0821-6002-02, 199, 200, 201, 202		0878-0034-02, 9		45-0867, 187, 189	
0800-2008, 259		0821-6002-08, 226		130-1413, 185		45-14875, 187	
0800-2010, 192		0821-6003-01, 95, 96, 97, 132, 133, 209, 211, 221, 223		130-1414, 185		45-15125, 187, 189	
0800-2012, 259		0850-0114-51, 19, 31, 41, 49, 57, 65, 79		130-21017, 185		45-15617, 187	
0800-2038, 17, 29, 37, 45, 52, 55, 63, 70, 75				130-21296, 185		45-16006, 259	
0800-2085, 183				130-21388, 185		45-16009, 259	
0800-2097, 192, 259				190-1040, 185		45-16391, 185	
0800-3006, 23, 33, 43, 51, 61, 69, 81				190-1041, 185		45-16430, 185, 187, 189	
0800-6373-01, 141, 153				191-10042, 185		A025F035, 259	
0800-6373-02, 141, 153				191-10057, 185		A026E604, 93, 94	
0800-6375-01, 19, 27, 37, 49, 57, 65, 75, 81				191-10059, 185		A028X493, 93, 94	
0800-6524-01, 17, 25, 29, 31, 35, 45, 51, 55, 63, 73, 79				191-10078, 185		A028X740, 157, 159, 161, 162, 165, 167, 169, 170, 173, 175, 177, 178	
0800-6524-02, 31, 41, 79, 197, 198, 243, 245,						A028X752, 137, 143, 145, 147, 149	
						A028X755, 137, 143, 145, 147, 149	
						A028X758, 143, 145, 147, 149	
						A029H218, 15, 19, 21, 27, 28, 37, 38, 46, 49, 57, 58, 65, 66, 75, 76	
						A029M562, 192	
						A029S742, 21, 28, 38, 46, 58, 66, 76	

Numerical Index (Continued)

<u>Part No.</u>	<u>Page</u>	<u>Part No.</u>	<u>Page</u>	<u>Part No.</u>	<u>Page</u>	<u>Part No.</u>	<u>Page</u>
A034B561, 87, 88, 89		A041L590, 109, 118, 129		A042T944, 187		A042Z041, 235, 237, 270	
A034P636, 241		A041M052, 41, 79		A042V042, 157, 161		A042Z234, 73	
A034P713, 241		A041M082, 31, 41, 79		A042V123, 31		A042Z462, 241	
A035G156, 15		A041M097, 92, 94		A042V342, 35, 95, 96, 98		A042Z472, 241	
A039Z973, 187, 189		A041M126, 25, 35, 73		A042V349, 35		A043A230, 236, 237, 271	
A040D680, 90		A041M304, 41, 57, 65, 79		A042V490, 19, 27, 37, 49, 75		A043A816, 25, 35, 73, 95, 96, 98	
A040J391, 15		A041P045, 15		A042V492, 57, 65		A043B108, 235, 236, 237, 270, 271	
A040J410, 21, 28		A041S333, 108, 113, 122, 127		A042V586, 137		A043B616, 73	
A040L665, 109		A041S364, 115, 125, 128		A042V588, 137		A043B984, 205	
A040M101, 21, 28, 38, 46, 58, 66, 76		A041T049, 194, 195		A042V590, 149		A043C438, 239	
A040M489, 21, 28, 38, 46, 58, 66, 76		A041T051, 195		A042V593, 149		A043C926, 132, 133	
A040T839, 15		A041T438, 194, 195		A042V597, 149		A043D271, 19, 27, 37, 49, 57, 65, 75	
A040V234, 15		A041T440, 195		A042W096, 201		A043D534, 254	
A041D092, 15		A041T446, 193, 194, 195		A042W988, 31, 41, 79		A043D567, 73	
A041D103, 21, 28, 38, 46, 58, 66, 76		A041Y119, 143, 149		A042X173, 98		A043E232, 233, 234, 270	
A041D811, 19, 31, 49		A041Y121, 143, 145, 147, 149		A042X177, 99		A043E615, 251	
A041E161, 19, 27, 37, 49, 75		A041Y123, 143, 145, 147, 149		A042X428, 97		A043E621, 251	
A041E163, 19, 27, 37, 49, 75		A041Y125, 143, 145, 147, 149		A042X430, 95		A043E623, 251	
A041E167, 143, 149		A041Y125, 143, 145, 147, 149		A042X712, 132		A043E627, 251	
A041E329, 27, 143, 149		A041Y134, 137, 143, 145, 147, 149		A042X733, 197, 198, 239		A043E629, 251	
A041E777, 23, 29, 37, 51, 55, 63, 75		A042L098, 38		A042X738, 243		A043E633, 251	
A041E785, 100		A042N319, 192		A042X740, 245, 247		A043E635, 251	
A041E787, 100		A042R043, 15		A042X751, 236, 237, 271		A043E647, 251	
A041F153, 137, 143, 145, 147, 149		A042R110, 23, 33, 43, 51, 61, 69, 81		A042X753, 232, 234, 235, 236, 237		A043E648, 251	
A041F653, 173, 177		A042R490, 73		A042X755, 230		A043E649, 251	
A041G757, 15		A042R604, 187		A042X758, 197, 198, 248		A043E650, 251	
A041G806, 91, 92		A042R703, 25, 35, 73		A042X764, 132, 133		A043E651, 251	
A041J009, 92		A042R942, 187		A042X766, 95, 96, 97		A043E653, 251	
A041J019, 91		A042S947, 17, 25, 35, 45, 55, 63, 73		A042Y176, 12, 134, 265		A043E654, 251	
A041J068, 19, 21, 27, 37, 49, 57, 65, 75		A042S971, 23, 33, 43, 51, 61, 69, 81		A042Y252, 12, 135, 265		A043E655, 251	
A041J582, 269		A042T054, 25, 35, 73		A042Y601, 17, 25, 35, 51, 61, 69, 73		A043E656, 251	
A041K566, 197, 198		A042T734, 15		A042Y689, 205		A043E657, 251	
A041K639, 66, 76		A042T762, 57, 65		A042Y707, 236, 237, 239, 270, 271		A043E860, 211	
A041K800, 159, 161, 167, 169, 175, 177, 266, 267, 268		A042T776, 57, 65		A042Y727, 235, 236, 237, 239, 243, 245, 247, 258, 270, 271		A043E863, 211	
		A042T799, 31, 41, 79		A042Y992, 126		A043E865, 211	
		A042T816, 185		A042Z039, 95, 96, 97, 98, 99		A043E872, 231, 232, 233, 234, 235, 236, 237, 270, 271	
		A042T818, 185				A043F059, 270	

Numerical Index (Continued)

<u>Part No.</u>	<u>Page</u>	<u>Part No.</u>	<u>Page</u>	<u>Part No.</u>	<u>Page</u>	<u>Part No.</u>	<u>Page</u>
A043F517, 206		A043M830, 198		A043X343, 231 , 233		A044A950, 153	
A043F730, 215		A043S938, 157 , 161 , 165 , 169 , 173 , 177		A043X494, 217		A044A952, 141 , 153	
A043G316, 217		A043S940, 159 , 162 , 167 , 170 , 175 , 178		A043X496, 217		A044B007, 215	
A043G318, 219 , 225		A043T127, 31 , 41 , 79		A043X760, 271		A044B014, 215	
A043G320, 218 , 219 , 224 , 225		A043T869, 96		A043X785, 271		A044B039, 258	
A043G322, 219 , 225		A043T871, 95 , 97		A043X954, 15		A044B045, 183	
A043G324, 213 , 215 , 226 , 229		A043T875, 95 , 96 , 97		A043X968, 143 , 145		A044B086, 189	
A043G326, 217		A043T878, 96		A043Y321, 199 , 200 , 201 , 202		A044B224, 19 , 27 , 37 , 49 , 57 , 65 , 75	
A043G574, 143 , 145		A043T880, 95 , 97		A043Y379, 28 , 38 , 58 , 66 , 76		A044B226, 15	
A043G577, 143 , 145		A043U141, 133		A043Y383, 21 , 46		A044B294, 218 , 224	
A043G986, 239 , 241		A043U485, 187		A043Y505, 17 , 31 , 41 , 45 , 55 , 63 , 79		A044B307, 213	
A043H269, 209		A043U607, 260		A043Y556, 230		A044B890, 189	
A043H274, 209		A043U760, 137		A043Y668, 46 , 58 , 66 , 76		A044C288, 9	
A043H278, 209		A043U979, 23 , 33 , 43 , 51 , 61 , 69 , 81		A043Y708, 143		A044C631, 198	
A043H284, 209		A043U981, 23 , 33 , 43 , 51 , 61 , 69 , 81		A043Y726, 147		A044C838, 197	
A043H813, 241		A043V083, 113 , 122 , 127		A043Y751, 147		A044C927, 9	
A043J534, 57 , 65		A043V085, 118 , 129		A043Y782, 147		A044C929, 9	
A043J544, 19 , 31 , 41 , 49 , 57 , 65 , 79		A043V133, 23 , 33 , 43 , 51 , 61 , 69 , 81		A043Y812, 150		A044C931, 9	
A043J723, 19 , 49		A043V162, 23 , 33 , 43 , 51 , 61 , 69 , 81		A043Y824, 150		A044C933, 9	
A043J731, 19 , 49		A043V417, 189		A043Y845, 138		A044C989, 9	
A043J733, 261		A043V972, 96		A043Y905, 138		A044D162, 243 , 245 , 247	
A043J735, 12 , 271		A043W090, 19 , 31 , 41 , 49 , 57 , 65 , 79		A043Y907, 137		A044D694, 179 , 235 , 236 , 237 , 270 , 271	
A043J739, 215 , 229		A043W091, 19 , 31 , 41 , 49 , 57 , 65 , 79		A043Y943, 149		A044D820, 265	
A043J742, 57 , 65		A043W092, 31 , 41 , 79		A043Z322, 185		A044E935, 137 , 143 , 145 , 147 , 149	
A043J744, 57 , 65		A043W094, 38 , 41		A043Z432, 127		A044E947, 137 , 143 , 145 , 147 , 149	
A043K676, 157 , 161 , 165 , 169 , 173 , 177		A043W095, 21 , 28 , 31 , 46 , 58 , 66 , 76 , 79		A043Z605, 109 , 118		A044F082, 150	
A043L038, 217		A043W097, 27 , 37 , 75		A043Z608, 57 , 65		A044F084, 138	
A043L271, 213 , 215 , 217 , 226 , 229		A043W114, 269		A043Z613, 145		A044F116, 137	
A043L274, 217 , 226 , 229		A043W344, 95 , 96 , 97 , 98 , 99		A043Z615, 147		A044F118, 143 , 145 , 147 , 149	
A043M347, 31 , 49 , 57 , 65 , 79		A043W505, 239		A043Z617, 149		A044F254, 9 , 197 , 198 , 243 , 245 , 247	
A043M496, 217		A043X197, 28 , 76		A044A003, 149		A044F269, 9 , 243 , 245 , 247	
A043M499, 9		A043X199, 21 , 46 , 58 , 66		A044A515, 230		A044F371, 258 , 261	
A043M506, 217		A043X263, 27		A044A528, 38		A044G477, 206 , 207 , 256	
A043M516, 209 , 211		A043X277, 25		A044A588, 271		A044G635, 262	
A043M518, 211				A044A792, 141 , 153		A044G637, 263	
A043M520, 213 , 215				A044A796, 141		A044G815, 187	
A043M522, 213 , 215				A044A798, 141		A044G817, 259	
				A044A802, 153		A044G874, 185	
				A044A810, 141 , 153			

Numerical Index (Continued)

<u>Part No.</u>	<u>Page</u>	<u>Part No.</u>	<u>Page</u>	<u>Part No.</u>	<u>Page</u>	<u>Part No.</u>	<u>Page</u>
A044G876, 187		A044H744, 85		A044J286, 86		A044Z200, 243	
A044G878, 189		A044H750, 85		A044L069, 141 , 153		A044Z201, 243	
A044H387, 85		A044H752, 85		A044L221, 137 , 143 , 145 , 147 , 149		A044Z203, 243	
A044H389, 85		A044H759, 85		A044L223, 137 , 143 , 145 , 147 , 149		A044Z204, 247	
A044H391, 85		A044H766, 85		A044L228, 217		A044Z205, 247	
A044H396, 85		A044H768, 85		A044M379, 213 , 215 , 229		A044Z206, 247	
A044H398, 85		A044H791, 83		A044M619, 9		A044Z207, 247	
A044H404, 85		A044H797, 85		A044M633, 9		A044Z208, 247	
A044H408, 85		A044H799, 85		A044N178, 197		A044Z209, 247	
A044H415, 85		A044H801, 85		A044N208, 46 , 58 , 66 , 76		A044Z210, 247	
A044H417, 85		A044H805, 85		A044P680, 108		A044Z211, 247	
A044H422, 85		A044H806, 12 , 83		A044R456, 9		A044Z212, 247	
A044H425, 85		A044H819, 86		A044V424, 93 , 94		A044Z213, 247	
A044H433, 85		A044H823, 86		A044V681, 12 , 132 , 133 , 265		A044Z214, 247	
A044H451, 197		A044H832, 86		A044V727, 17 , 29 , 37 , 45 , 52 , 55 , 63 , 70 , 75		A044Z215, 247	
A044H456, 197		A044H835, 86		A044W723, 218 , 224		A044Z216, 247	
A044H459, 197		A044H837, 86		A044Y564, 9		A044Z217, 245	
A044H599, 9 , 243 , 245 , 247		A044H841, 86		A044Z045, 245		A044Z748, 17 , 29 , 37 , 45 , 55 , 70 , 75	
A044H605, 11		A044J009, 86		A044Z051, 270		A045B239, 108 , 109 , 118 , 122 , 131	
A044H626, 85		A044J011, 86		A044Z053, 270		A045E099, 25 , 35 , 73	
A044H628, 85		A044J014, 86		A044Z055, 271		A045E943, 129	
A044H638, 85		A044J018, 86		A044Z182, 245		A045F506, 17 , 52 , 55 , 63	
A044H643, 85		A044J020, 86		A044Z183, 245		A045H450, 221	
A044H645, 85		A044J027, 86		A044Z184, 245		A045J199, 271	
A044H647, 85		A044J042, 86		A044Z185, 245		A045J201, 271	
A044H652, 85		A044J044, 86		A044Z186, 245		A045J203, 270	
A044H657, 85		A044J046, 86		A044Z187, 245		A045J574, 9	
A044H696, 12 , 83		A044J048, 86		A044Z189, 245		A045J775, 117	
A044H699, 85		A044J050, 86		A044Z190, 243		A045J777, 111 , 115 , 121 , 125	
A044H701, 85		A044J053, 86		A044Z191, 243		A045J786, 111 , 115 , 117 , 121 , 125	
A044H703, 85		A044J056, 12 , 83		A044Z192, 243		A045J861, 103 , 105 , 112 , 126 , 128 , 130	
A044H705, 85		A044J074, 86		A044Z193, 243		A045K122, 111 , 115 , 121 , 125	
A044H708, 85		A044J077, 86		A044Z194, 243		A045K124, 111 , 115 , 121 , 125	
A044H710, 85		A044J085, 86		A044Z195, 243		A045K279, 117	
A044H712, 85		A044J089, 86		A044Z196, 243		A045K281, 117	
A044H714, 85		A044J101, 86		A044Z197, 243		A045K908, 111 , 121	
A044H716, 12 , 83		A044J108, 86		A044Z198, 243		A045K909, 112	
A044H718, 85		A044J111, 21 , 28 , 86		A044Z199, 243			
A044H720, 85		A044J114, 21 , 28 , 86					
A044H723, 85		A044J187, 15 , 86					

Numerical Index (Continued)

<u>Part No.</u>	<u>Page</u>	<u>Part No.</u>	<u>Page</u>	<u>Part No.</u>	<u>Page</u>	<u>Part No.</u>	<u>Page</u>
A045L132, 57 , 65		A045M805, 213 , 226		A046F900, 191 , 263		A047N987, 265	
A045L881, 181		A045N453, 223		A046G477, 157 , 161 , 165 , 169 , 190 , 191 , 205 , 262 , 263		A047S245, 103 , 105	
A045L883, 180		A045N469, 221 , 223		A046H951, 243 , 245 , 247		A047S247, 107	
A045L884, 181		A045N471, 229		A046H953, 243 , 245 , 247		A047W320, 109	
A045L885, 180		A045N473, 226 , 229		A046H967, 89		A047Z265, 193	
A045L886, 181 , 182		A045N475, 226 , 229		A046H969, 87		A047Z271, 193	
A045L887, 180 , 181		A045N477, 229		A046J596, 258		A048A702, 17 , 45 , 55 , 63	
A045L888, 181 , 182		A045N479, 229		A046J624, 251		A048A860, 25 , 35 , 73	
A045L889, 180 , 181		A045N513, 113		A046J625, 251		A048E046, 109	
A045L890, 181 , 182		A045P230, 221		A046K103, 269		A048E352, 197 , 198	
A045L891, 180 , 181		A045P578, 221		A046L032, 198		A048G602, 257	
A045L930, 181 , 182		A045P597, 221		A046L034, 197		A048G912, 11	
A045L931, 180 , 181		A045P601, 226		A046L319, 271		A048G915, 11	
A045L932, 181 , 182		A045P627, 256		A046M449, 12		A048G917, 11	
A045L933, 180 , 181		A045P632, 254		A046M850, 19 , 49		A048G919, 11	
A045L934, 181 , 182		A045P639, 207 , 256		A046N983, 265		A048G923, 11	
A045L935, 180 , 181		A045R833, 255		A046N985, 265		A048G925, 11	
A045L937, 181 , 182		A045U373, 199 , 200 , 201 , 202		A046R458, 243 , 245 , 247		A048G927, 11	
A045L938, 180 , 181		A045U530, 19 , 49		A046S274, 271		A048G929, 11	
A045L939, 181 , 182		A045U816, 57 , 65		A046S585, 239		A048G931, 11	
A045L940, 180 , 181		A045W735, 15 , 85		A046T039, 213 , 215		A048G933, 11	
A045L942, 181		A045W861, 19 , 49		A046T066, 226 , 229		A048G935, 11	
A045L943, 182		A045X220, 89		A046T081, 209 , 211 , 213 , 215 , 221 , 223 , 226 , 229		A048G937, 11	
A045L944, 181		A045Y858, 259		A046T825, 243 , 245 , 247		A048G949, 11	
A045L945, 181		A045Z586, 87 , 90		A046T827, 243 , 245 , 247		A048G956, 9 , 243 , 245 , 247	
A045L946, 180		A045Z790, 187 , 190 , 262		A046V547, 86		A048G958, 9	
A045L948, 180		A045Z792, 185 , 191 , 263		A046V747, 15		A048G961, 11 , 239	
A045L949, 181		A045Z903, 117		A046X276, 108		A048G965, 11 , 239	
A045L950, 180 , 181		A045Z943, 209 , 211 , 221 , 223		A046X872, 88		A048G968, 11 , 243 , 245 , 247	
A045L951, 180 , 181		A046A708, 192		A046Y872, 88		A048H029, 11	
A045L952, 181 , 182		A046A710, 192		A046Z638, 213 , 215 , 226 , 229		A048H031, 11 , 243 , 245 , 247	
A045L953, 180 , 181		A046A715, 183		A047D352, 243 , 245 , 247		A048H035, 11 , 243 , 245 , 247	
A045L954, 180 , 181		A046B151, 9		A047K152, 9		A048H191, 11 , 239	
A045L955, 180 , 181		A046B764, 38		A047K791, 113 , 118 , 122 , 131		A048J812, 107	
A045L956, 180 , 181		A046C014, 203 , 204		A047K793, 113 , 118 , 122 , 131		A048K844, 103	
A045L957, 181 , 182		A046C016, 203 , 204		A047M766, 19 , 27 , 37 , 49 , 57 , 65 , 75		A048K846, 105	
A045L958, 180 , 181		A046C018, 203				A048K848, 107	
A045L959, 180 , 181		A046C020, 204					
A045M772, 223		A046D267, 239					
A045M777, 223							
A045M779, 223							

Numerical Index (Continued)

<u>Part No.</u>	<u>Page</u>	<u>Part No.</u>	<u>Page</u>	<u>Part No.</u>	<u>Page</u>	<u>Part No.</u>	<u>Page</u>
A048M371, 103 , 105 , 107		A050H838, 154 , 155		A050X796, 161 , 169 , 177 , 267		A059W267, 218 , 219	
A048N320, 245		A050J565, 185		A050Y116, 159 , 161 , 167 , 169 , 175 , 177 , 266 , 267 , 268		A059W269, 211	
A048N765, 211 , 223		A050J578, 185		A050Y399, 266		A059W271, 209	
A048N767, 209 , 221		A050J709, 187		A050Y401, 267		A059W273, 224 , 225	
A048V473, 107		A050J723, 189		A051A001, 159 , 167 , 175 , 266 , 268		A059W275, 223	
A048V477, 107		A050P483, 209 , 211 , 221 , 223		A051F263, 268		A059W277, 221	
A048Y038, 11 , 173 , 177		A050P694, 245		A051L083, 165 , 169		A060B644, 209 , 211 , 221 , 223	
A049T314, 25 , 35 , 73		A050P695, 245		A053S696, 90		A060D289, 199	
A049Y191, 259		A050R046, 154		A053S698, 90		A060D295, 201 , 202	
A050D500, 154		A050R047, 155		A054U440, 260		A060D297, 200	
A050D502, 154		A050X767, 159 , 167 , 175 , 266		A055G562, 179		A062E033, 19 , 41	
A050D505, 155		A050X769, 159 , 161 , 167 , 169 , 175 , 177 , 267 , 268		A056L369, 257		E000–14851, 259	
A050D507, 155						RSK–1101, 185 , 187	
A050F336, 154						RSK–2001, 189	
A050F338, 154							

This page is Intentionally blank.

power.cummins.com

Copyright © 2019 Cummins Inc. All rights reserved.

Cummins, the "C" logo, PowerCommand, AmpSentry, and InPower are trademarks of Cummins Inc.

Other company, product, or service names may be trademarks or service marks of others.

Specifications are subject to change without notice.

